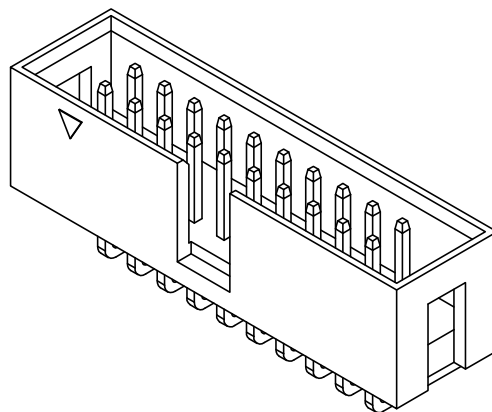
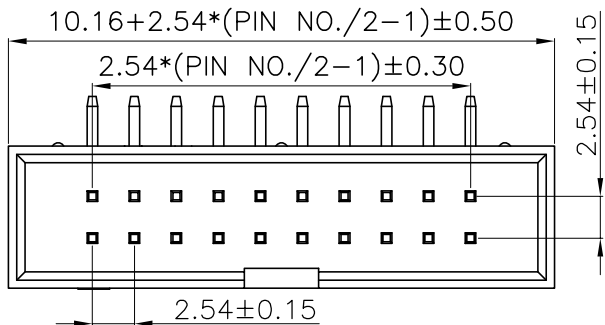
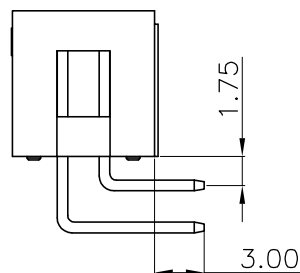
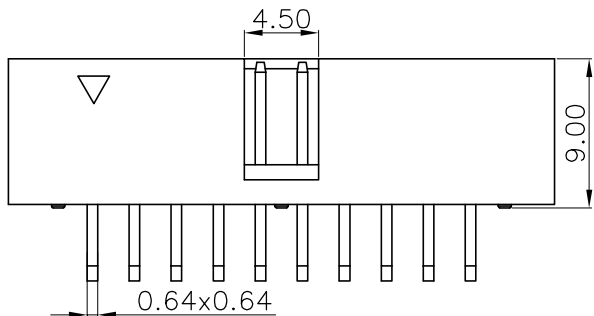


The product using material and processing must conform to the "WI-PZ-001"HSF technical standard control requirements

RoHS



- NOTE:
- MATERIAL SPECIFICATION:
 - 1-1.HOUSING: UL94V-0
 - 1-2.CONTACTS: BRASS
 - PLATING SPECIFICATION:
 - 2-1.CONTACTS: TIN/GOLD FLASH PLATED OVER ALL.
 - ELECTRICAL PERFORMANCE:
 - 3-1.CURRENT RATING: 3A
 - 3-2.CONTACT RESISTANCE: 30 mΩ MAX
 - 3-3.INSULATION RESISTANCE: 1000MΩ Min
 - 3-4.DIELECTRIC WITHSTANDING : 500V
 - ENVIRONMENTAL PERFORMANCE:
 - 4-1.OPERATING TEMPERATURE: -40°C~+105°C.
 - PACKAGE SPEC: TRAY
 - P/N:



BH25530 F 9-2 XX 1 X X X

SERIES NO: _____

MALE FEMALE: _____

ANGLE: _____

ROW NO: _____

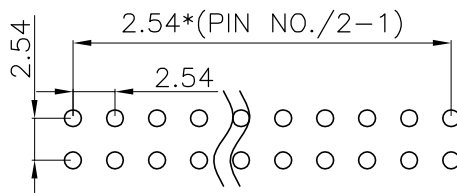
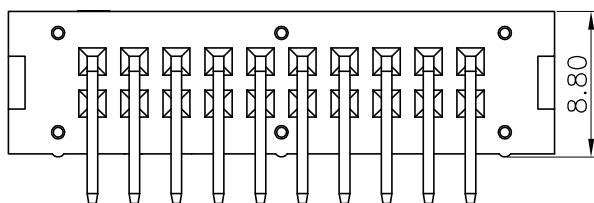
PIN Q'PY: _____

HOUSING: 2-PA6T

COLOR: A-BLACK

PLATING: A-ALL AU G/F

TERMIPOINT: 1-DIP



PCB layout

REV.	REVISION RECORD	DATE	UNIT:mm	GENERAL TOLERANCES		SCALE:	NAME	DATE	PART.NO:	DWG.NO:	 WanLian Technology Co., Ltd
AO	NEW RELEASE	21.11.17		LINEAR	ANGLES	1:1	Wang_jr	21.11.17	BH25530F9-2XX1XXX	ENDE05	
			0.0±0.35	X'REF±6'	APPROVED	Han_Gao	21.11.17	TITLE:			
			0.00±0.25	X'±3'	DESIGNER	Zijun_Huang	21.11.17	Pitch 2.54mm 90° 双排 DIP 筒牛 PC:3.0MM			
			0.000±0.10	X'X' ±2'	DRAWN						

REV: A0 SHEET: 1/1