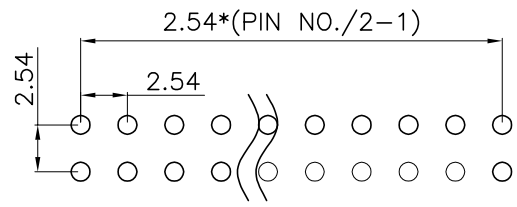
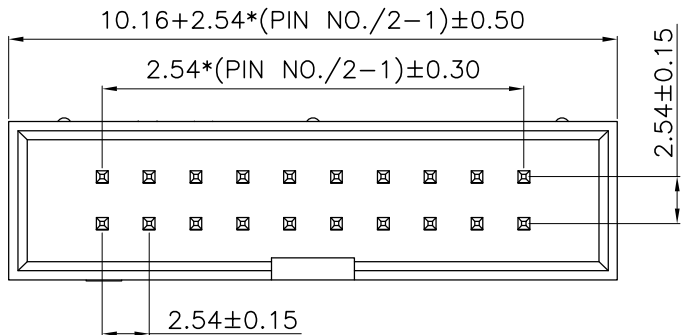


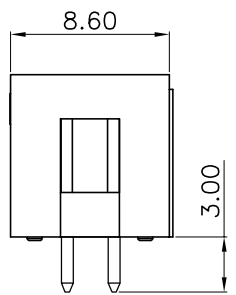
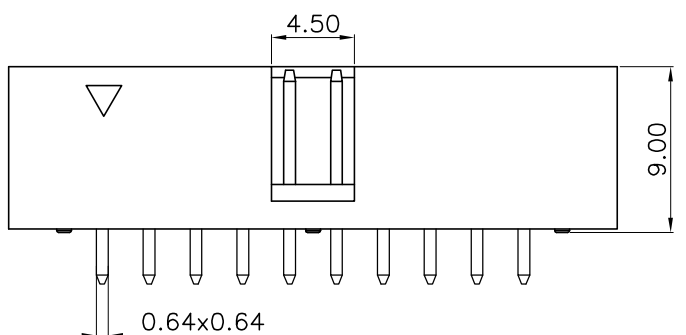
The product using material and processing must conform to the "WI-PZ-001"HSF technical standard control requirements

RoHS



PCB LAYOUT

- NOTE:
- MATERIAL SPECIFICATION:
 - 1-1.HOUSING: PA6T,UL94V-0
 - 1-2.CONTACTS: BRASS
 - PLATING SPECIFICATION:
 - 2-1.CONTACTS: GOLD FLASH/TIN OVER NICKEL
 - ELECTRICAL PERFORMANCE:
 - 3-1.CURRENT RATING: 3A
 - 3-2.CONTACT RESISTANCE: 30 mΩ MAX
 - 3-3.INSULATION RESISTANCE: 1000MΩ Min
 - 3-4.DIELECTRIC WITHSTANDING : 500V
 - ENVIRONMENTAL PERFORMANCE:
 - 4-1.OPERATING TEMPERATURE: -40°C~+105°C.
 - PACKAGE SPEC: TRAY
 - P/N/N:



BH25532 F 0-2 XX 1 X X X

SERIES NO: _____

MALE FEMALE: _____

ANGLE: _____

ROW NO: _____

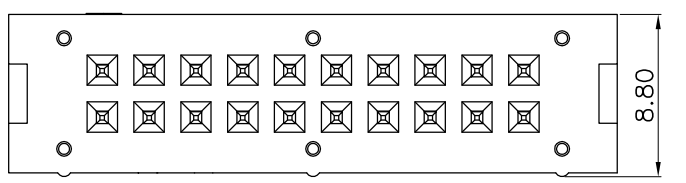
PIN Q'PY: _____

HOUSING: 2-PA6T

COLOR: A-BLACK

PLATING: A-ALL AU G/F

TERMIPOINT: 1-DIP



REV.	REVISION RECORD	DATE		GENERAL TOLERANCES		SCALE: 1:1	NAME	DATE	PART.NO:	DWG.NO:	
A0	NEW RELEASE	21.10.15		LINEAR	ANGLES	APPROVED	Wang_jr	21.10.15	BH25532F0-2XX1XXX	ENDE05	
			UNIT:mm	0.00±0.25	X'±3'	DESIGNER	Gao_Han	21.10.15	TITLE:		REV: A0 SHEET: 1/1
			SIZE: A4	0.000±0.10	X'X' ±2'	DRAWN	Gao_Han	21.10.15	Pitch 2.54mm 180° 双排 DIP 筒牛 PC:3.0MM		