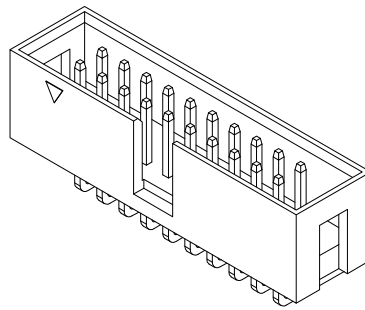
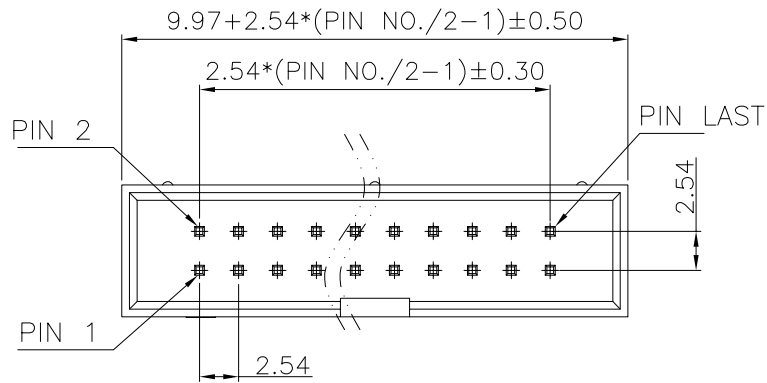
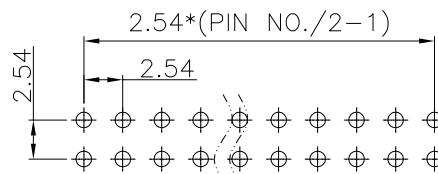
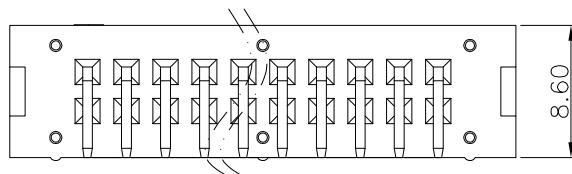
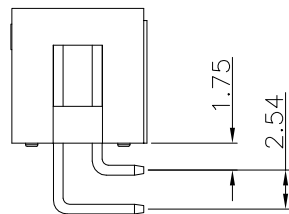
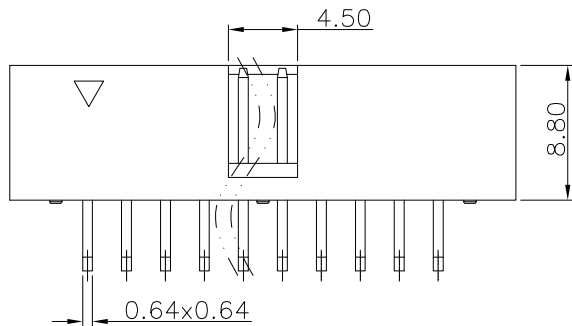


The product using material and processing must conform to the "WI-PZ-001" HSF technical standard control requirements

RoHS+HF



NOTE:
 1.MATERIAL SPECIFICATION:
 1-1.HOUSING: PA6T,UL94V-0
 1-2.CONTACTS: BRASS
 2.PLATING SPECIFICATION:
 2-1.CONTACTS:
 GOLD FLASH/TIN OVER NICKEL
 3.ELECTRICAL PERFORMANCE:
 3-1.CURRENT RATING: 3A
 3-2.CONTACT RESISTANCE: 30 mΩ MAX
 3-3.INSULATION RESISTANCE: 1000MΩ Min
 3-4.DIELECTRIC WITHSTANDING : 500V
 4.ENVIRONMENTAL PERFORMANCE:
 4-1.OPERATING TEMPERATURE: -40°C~+105°C.
 5.PACKAGE SPEC: TRAY
 6.P/N:
 BH25532 F 9-2 XX 1 X X X
 SERIES NO: _____ HOUSING: 2-PA6T
 MALE FEMALE: _____ COLOR: A-BLACK
 F-FEMALE
 ANGLE: _____ PLATING: A-ALL AU G/F
 9-90°
 ROW NO: _____
 2-DOUBLE ROW
 PIN Q' PY: _____ TERMIPOINT: 1-DIP
 06~40



RECOMMENDED P.C.B LAYOUT
 P.C.B TOLERANCE: ±0.05

REV.	REVISION RECORD	DATE		GENERAL TOLERANCES		SCALE: 1:1	NAME	DATE	PART.NO:	DWG.NO:	 WanLian Technology Co., Ltd
A0	NEW RELEASE	21.01.13		LINEAR	ANGLES	APPROVED	Wang_jr	21.01.13	BH25532F9-2XX1XXX	ENDE05	
			UNIT:mm	0.00±0.25	X'±3'	DESIGNER	Han_Gao	21.01.13	TITLE:		REV: A0 SHEET: 1/1
			SIZE: A4	0.000±0.10	X'X' ±2'	DRAWN	Zijun_Huang	21.01.13	2.54 双排筒牛 90度系列		