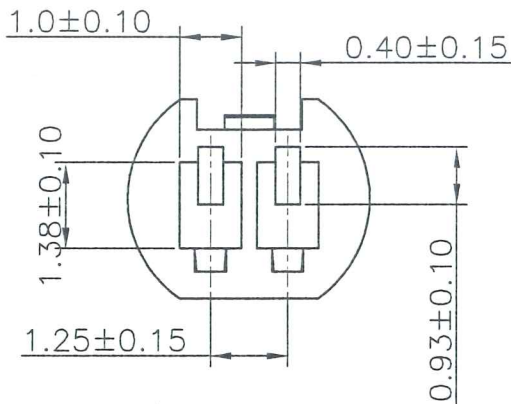


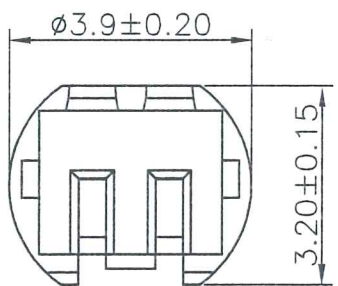
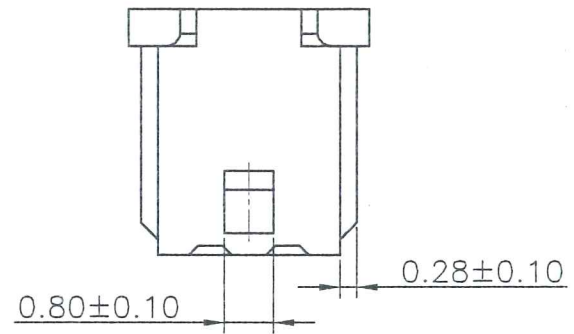
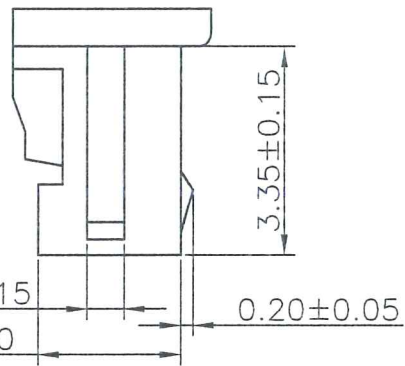
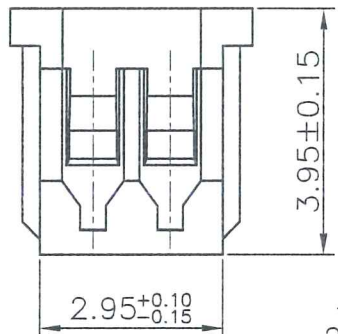
1 2 3 4 5 6 7 8

A  
B  
C  
D  
E  
F  
G

A  
B  
C  
D  
E  
F  
G



Specifications:  
 Rated Voltage : 125V AC/DC  
 Rated Current : 1A AC,DC  
 Withstand Voltage : 250V AC/minute  
 Contact Resistance : 20mΩ(MAX.)  
 Insulation Resistance : 100MΩ(MIN.)  
 Operating temperature range : -40°C~+105°C  
 The product using material and processing must conform to the "WI-PZ-142"HSF technical standard control requirements



11251H00-2P-D-HF  
 ① ② ③ ④ ⑤

- ① Series No.
- ② H90 : Side Contact  
H00 : Up Contact
- ③ No. of Circuits
- ④ C :C type  
Blank : Nylon 66
- ⑤ HF : Halogen Free



Suitable for JCTC 11251 series terminal

Part No.	Material	Color
11251H00-2P-D-HF	Nylon 66,UL94V-0	本色

REV.	REVISION RECORD	DATE	UNIT: MM	GENERAL TOLERANCES		SCALE	NAME	DATE	PART NO.	DWG NO.	<b>JCTC</b> <sup>®</sup> TERMINAL&CONNECTORS				
X0	新图面发行	22.01.10		LINEAR	ANGLES	1:1									
			0.0±0.25	X° REF±6°	APPROVED	Nelson	22.01.10	11251H00-2P-D-HF	ENDE05						
			0.00±0.15	X° ±3°	DESIGNER	MM	22.01.10	TITLE							
			0.000±0.08	X° X' ±2°	DRAWN	Fau	22.01.10	MX 1.25mmPITCH HOUSING			REV	X0	SHEET	1/1	

1 2 3 4 5 6 7 8