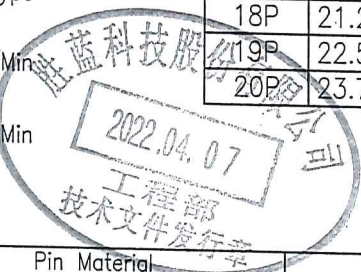


Specifications:
 Rated Voltage : 125V AC/DC
 Rated Current : 1A AC,DC
 Withstand Voltage : 250V AC/minute
 Contact Resistance : 20mΩ(MAX.)
 Insulation Resistance : 1000MΩ(MIN.)
 Temperature Range : -40°C~+85°C
 The product using material and processing must conform to the "WI-PZ-142"HSF technical standard control requirements

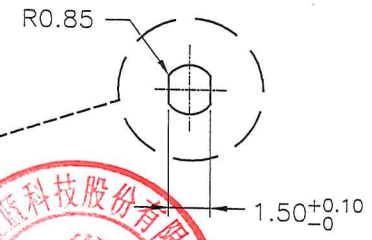
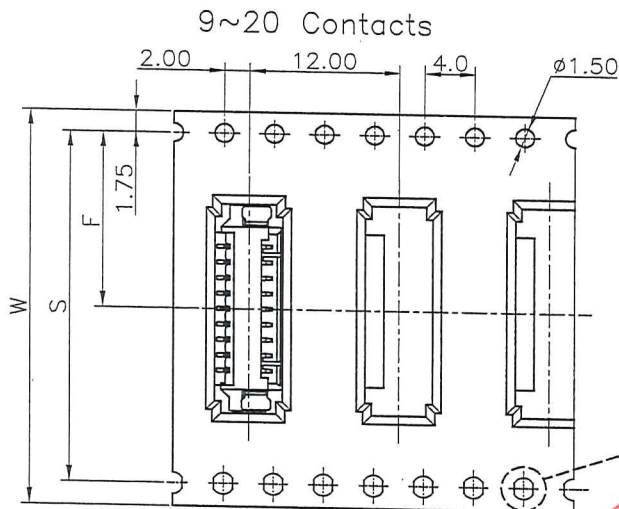
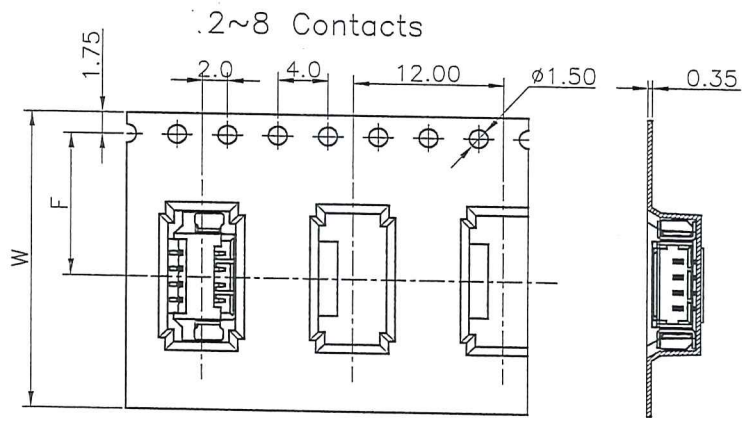
- SEC:A-A 11251W90-NPX-S-XX-XX-HF-R
 ① Series No.
 ② W90 : Side Contact
 W00 : Up Contact
 ③ No. of Circuits
 ④ X : Product color(A--Y)
 Blank : Natural type
 ⑤ S: SMT type
 G: Gold Flash
 5E: PIN Gold 5u"Min
 ⑥ XX: plated
 black: Tin-plated
 5E: PIN Gold 5u"Min
 ⑦ 9T : Nylon 9T
 Blank : Nylon 6T
 ⑧ HF: Halogen Free
 ⑨ R: Tape & Reel

Circuits Part No	Dimensions		
	A	B	C
2P	1.25	4.35	7.85
3P	2.50	5.60	9.10
4P	3.75	6.85	10.35
5P	5.00	8.10	11.60
6P	6.25	9.35	12.85
7P	7.50	10.60	14.10
8P	8.75	11.85	15.35
9P	10.00	13.10	16.60
10P	11.25	14.35	17.85
11P	12.50	15.60	19.10
12P	13.75	16.85	20.35
13P	15.00	18.10	21.60
14P	16.25	19.35	22.85
15P	17.50	20.60	24.10
16P	18.75	21.85	25.35
17P	20.00	23.10	26.60
18P	21.25	24.35	27.85
19P	22.50	25.60	29.10
20P	23.75	26.85	30.35



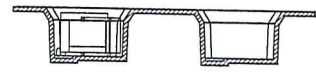
Part No.	Material	Color	Pin Material	Solder Tabs
11251W90-NP-S-R	Nylon 6T,UL94V-0	本色	Phosphor Bronze/Tin-plated	Brass/Tin-plated
11251W90-NPE-S-R	Nylon 6T,UL94V-0	黄色	Phosphor Bronze/Tin-plated	Brass/Tin-plated
11251W90-NP-S-9T-R	Nylon 9T,UL94V-0	本色	Phosphor Bronze/Tin-plated	Brass/Tin-plated
11251W90-NP-S-HF-R	LCP,UL94V-0	本色无卤	Phosphor Bronze/Tin-plated	Brass/Tin-plated
11251W90-NP-S-5E-HF-R	LCP,UL94V-0	本色无卤	Phosphor Bronze/Au 5u"	Brass/Matte Tin-plated

REV.	REVISION RECORD	DATE	GENERAL TOLERANCES		SCALE	NAME	DATE	PART NO.	DWG NO.	 TERMINAL&CONNECTORS
A0	整理图面	16.12.06	LINEAR	ANGLES	1:1					
A1	依ECN20220321079变更A1处	22.03.21	0.0±0.25	X° REF±6°	APPROVED	<i>Nelson</i>	22.04.02	MX 1.25mm PITCH SMT WAFER		
			0.00±0.15	X° ±3°	DESIGNER	<i>WCL</i>	22.04.02			
			0.000±0.08	X° X' ±2°	DRAWN	WCL	22.03.21			

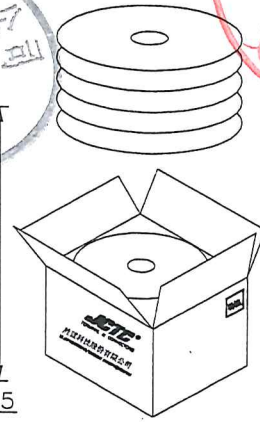
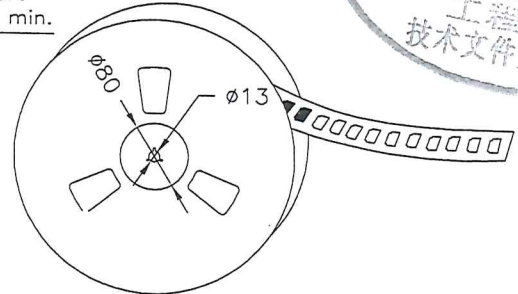
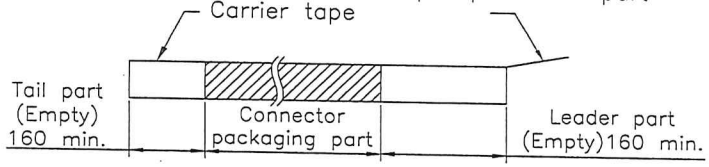


Unreeling direction →

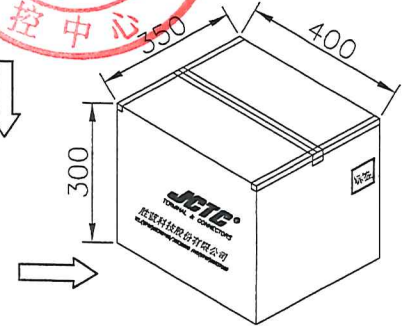
Unreeling direction →



Top tape leader part



Load carton



Sealed carton

Number of Contacts	W±0.3	F±0.1	S±0.1	Q'ty/Reel
2P~8P	24	11.50		1,500
9P~12P	32	14.20	28.40	1,500
13P~20P	44	20.20	40.40	1,500

REV.	REVISION RECORD	DATE	GENERAL TOLERANCES		SCALE	NAME	DATE	PART NO.	DWG NO.	 JCTC ® TERMINAL & CONNECTORS
A0	新图面发行	16.12.06	LINEAR	ANGLES	1:1			11251W90-NPX-S-XX	ENDE05	
A1	依ECN20220321079变更△1处	22.03.21	0.0±0.25	X° REF±6°	APPROVED	Nelson	22.04.02			
			UNIT: MM	0.00±0.15	X° ±3°	DESIGNER	WCL	22.04.02	TITLE	
			SIZE: A4	0.000±0.08	X° X' ±2°	DRAWN	WCL	22.03.21	MX 1.25mm PITCH SMT WAFER	