

Specifications:
 Rated Voltage : 50V AC/DC
 Rated Current : 1A AC,DC
 Withstand Voltage : 500V AC/minute
 Contact Resistance : 30mΩ(MAX.)
 Insulation Resistance : 100MΩ(MIN.)
 Temperature Range : -25°C~+85°C
 The product using material and processing must conform to the "WI-PZ-142" HSF technical standard control requirements

- 11257W00-NP-S-R
 ① Series No.
 ② W90 : Side Contact
 W00 : Up Contact
 ③ No. of Circuits
 ④ S : SMT Type
 ⑤ R : Tape & Reel



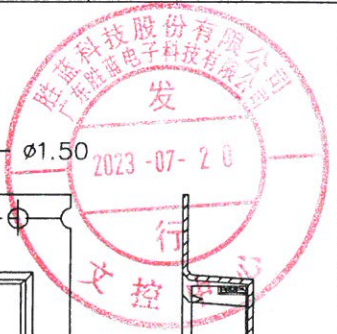
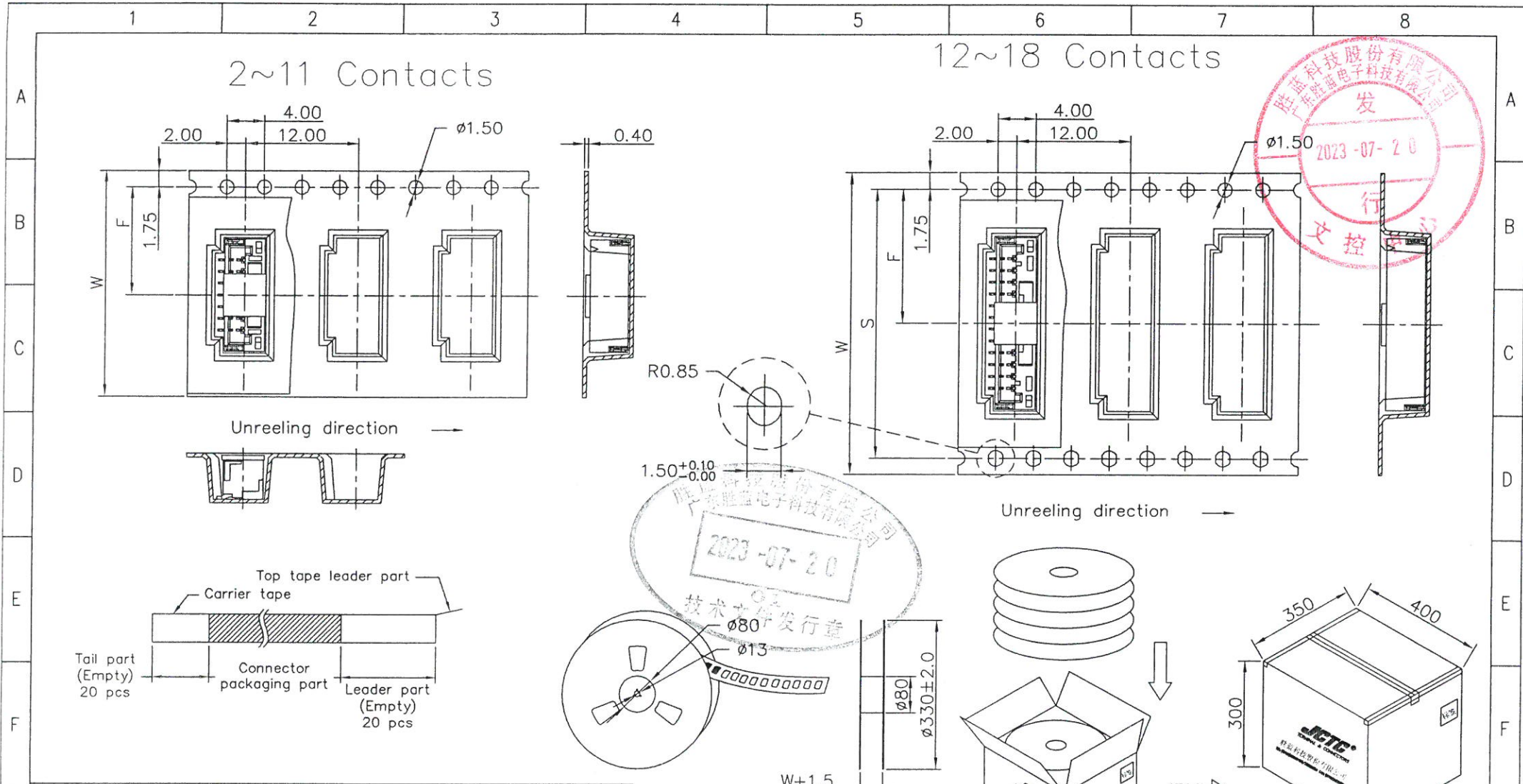
Circuits	Dimensions		
	A	B	C
2P	--	5.75	2.05
3P	2.50	7.00	3.30
4P	3.75	8.25	4.50
5P	5.00	9.50	
6P	6.25	10.75	6.70
7P	7.50	12.00	
8P	8.75	13.25	8.65
9P	10.00	14.50	
10P	11.25	15.75	8.65
11P	12.50	17.00	
12P	13.75	18.25	8.65
13P	15.00	19.50	
14P	16.25	20.75	8.65
15P	17.50	22.00	
16P	18.75	23.25	8.65
17P	20.00	24.50	
18P	21.25	25.75	8.65

No.	Description	Material	Color
a	Insulator	Nylon 6T,UL94V-0	Natural(Beige)
b	Pin Terminal	Phosphor Bronze/Tin-plated	--
c	Solder Tabs	Brass/Tin-plated	--
d	CAP	Nylon 6T,UL94V-0	Natural(Beige)

REV.	REVISION RECORD	DATE	GENERAL TOLERANCES	SCALE:	NAME	DATE	PART. NO:	DWG. NO:
C0	新图面发行	11. 10. 22	LINEAR	1:1			11257W00-NP-S	ENDE05
C1	WN1610310182	16. 11. 07	0.0±0.25	APPROVED				
C2	WN2009240266	20. 09. 28	X° REF±6°	DESIGNER				
C3	依ECN20230517541变更载带宽度	23. 06. 26	X° ±3°	DRAWN	Hui	23. 06. 26	TITLE: GHR 1.25mm PITCH 180° SMT WAFER	
			UNIT: MM					
			SIZE: A4					
			0.000±0.08					
			X° X'±2°					



REV: C3 SHEET: 1/2



Number of Contacts	W±0.3	F±0.1	S±0.1	pcs/Reel	pcs/Box
2~4P	16	7.50	/	1,000	14,000
5~11P	24	11.50		1,000	10,000
12~16P	32	14.20	28.40	1,000	8,000
17~18P	44	22.20	40.40	1,000	6,000

REV.	REVISION RECORD	DATE	GENERAL TOLERANCES	SCALE:	NAME	DATE	PART. NO.:	DWG. NO.:
C0	换图框发行	11.10.22	LINEAR	1:1			11257W00-NP-S	ENDE05
C1	整理图面	16.11.07	0.0±0.25	APPROVED				
C2	WN2009240266	20.09.28	0.00±0.15	DESIGNER				
C3	依ECN20230517541变更载带宽度	23.06.26	0.000±0.08	DRAWN	Hui	23.06.26	TITLE: GHR 1.25mm PITCH 180° SMT WAFER	REV: C3



REV: C3 SHEET: 2/2