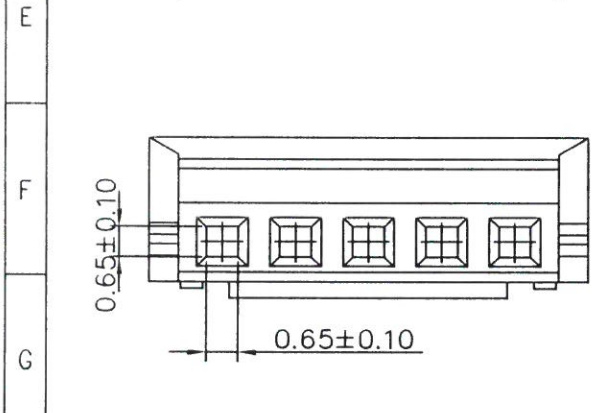
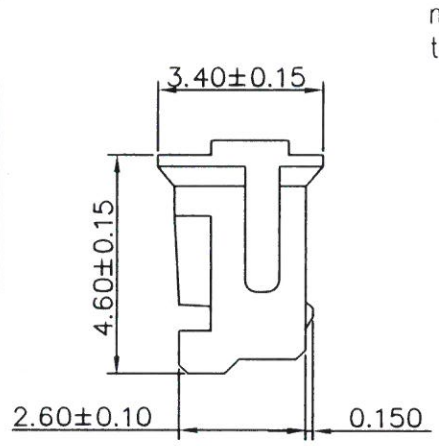
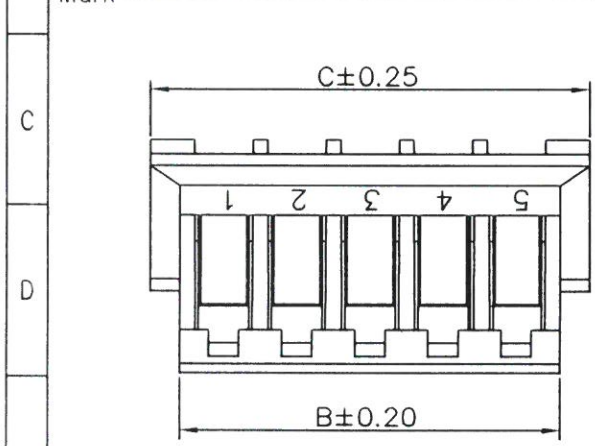
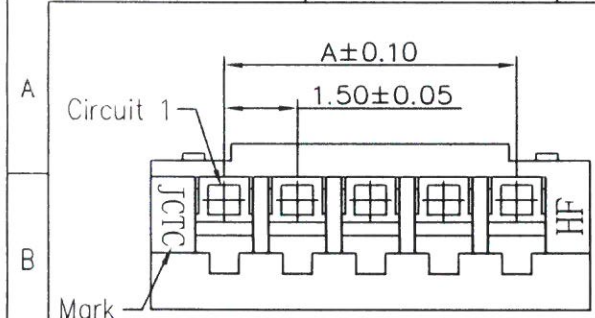


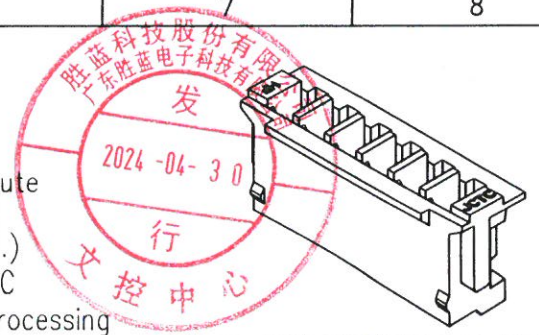
1 2 3 4 5 6 7 8



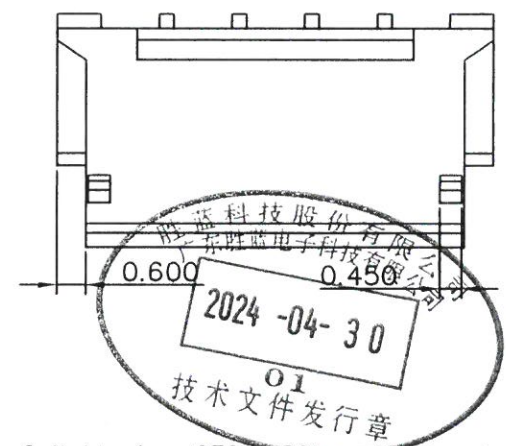
11501H00-NPX-HF-NK  
 ① ② ③④ ⑤ ⑥

① Series No.  
 ② H90 : Side Contact  
 H00 : Up Contact  
 ③ No. of Circuits  
 ④ A : Product color(A--Y)  
 Blank : Natural type  
 ⑤ HF : Halogen Free  
 ⑥ NK : No Mark  
 Blank : Mark

Specifications:  
 Voltage Rating : 50V AC/DC  
 Current Rating : 1A AC,DC  
 Withstand Voltage : 500V AC/minute  
 Contact Resistance : 20mΩ(MAX.)  
 Insulation Resistance : 500MΩ(MIN.)  
 Temperature Range : -25°C~+85°C  
 The product using material and processing must conform to the \*WI-PZ-142\* HSF technical standard control requirements



Part No	A	B	C
2P	1.50	3.30	4.50
3P	3.00	4.80	6.00
4P	4.50	6.30	7.50
5P	6.00	7.80	9.00
6P	7.50	9.30	10.50
7P	9.00	10.80	12.00
8P	10.50	12.30	13.50
9P	12.00	13.80	15.00
10P	13.50	15.30	16.50
11P	15.00	16.80	18.00
12P	16.50	18.30	19.50
13P	18.00	19.80	21.00
14P	19.50	21.30	22.50
15P	21.00	22.80	24.00



Suitable for JCTC 11501 series terminal

Part No.	Material	Color	Temperature Range
11501H00-NP-P1-HF	Nylon 66,UL 94V-0	Nature HF	-40°C~+105°C
11501H00-NP	Nylon 66,UL 94V-0	Nature	-25°C~+85°C
11501H00-NPC-HF	Nylon 66,UL 94V-0	Red	
11501H00-NP-HF	Nylon 66,UL 94V-0	Nature HF	
11501H00-NP-NK	Nylon 66,UL 94V-0	Nature	
11501H00-NPA-HF	Nylon 66,UL 94V-0	Black HF	
11501H00-NP-HF-NK	Nylon 66,UL 94V-0	Nature HF	

REV.	REVISION RECORD	DATE	GENERAL TOLERANCES	SCALE:	NAME	DATE	PART. NO:	DWG. NO:	
C0	Initial Release	10.02.27	LINER	1:1			11501H00-NP-XX-XX	ENDE05	
C5	Modify Drawing HN1511060173	15.11.06	ANGLES	APPROVED	<i>[Signature]</i>	2024.4.24			
C6	Modify Drawing	17.01.13	0.0±0.25 X° REF±6°	DESIGNER	<i>[Signature]</i>	24.04.24	TITLE:		
D0	Add New Part No. YB202404120013	24.04.24	UNIT: MM 0.00±0.15 X° ±3°	DRAWN	OYD	24.04.24	ZH 1.50mm PITCH HOUSING	REV: D0	SHEET: 1/1
			SIZE: A4 0.000±0.08 X° X'±2°						

1 2 3 4 5 6 7 8