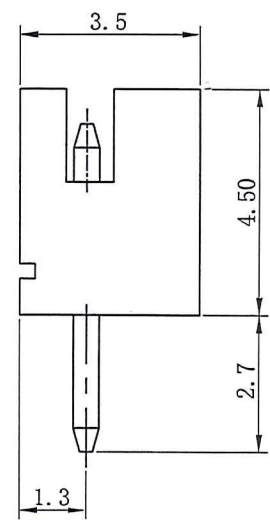
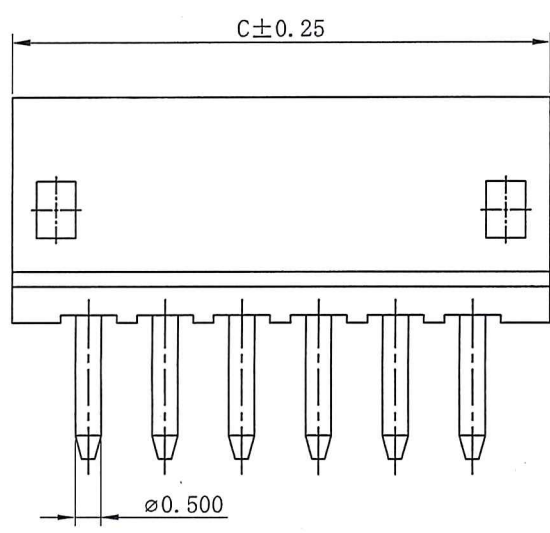
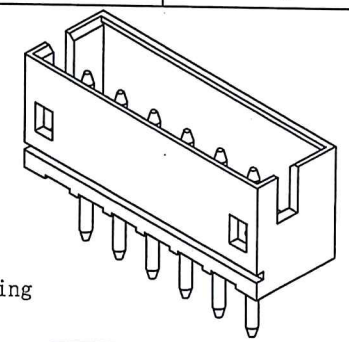


Specifications:
 Voltage Rating : 50V AC/DC
 Current Rating : 1A AC,DC
 Withstand Voltage : 500V AC/minute
 Contact Resistance : 20mΩ (MAX.)
 Insulation Resistance : 500MΩ (MIN.)
 Temperature Range : -25° C~+85° C
 The product using material and processing must conform to the "WI-PZ-142"HSF technical standard control requirements



11501W00-NPX-XX-HF

- ① Series No.
 ② W90 : Side Contact
 W00 : Up Contact
 ③ No. of Circuits
 ④ X : Product color (A—Y)
 Blank : Natural type
 ⑤ 6T : 6T type
 H1 : H1 type
 ⑥ HF : Halogen Free

Circuits Part No	Dimensions		
	A	B	C
2P	1.50	3.70	4.50
3P	3.00	5.20	6.00
4P	4.50	6.70	7.50
5P	6.00	8.20	9.00
6P	7.50	9.70	10.50
7P	9.00	11.20	12.00
8P	10.50	12.70	13.50
9P	12.00	14.20	15.00
10P	13.50	15.70	16.50
11P	15.00	17.20	18.00
12P	16.50	18.70	19.50
13P	18.00	20.20	21.00
14P	19.50	21.70	22.50
15P	21.00	23.20	24.00



Part No.	Material	Color	Pin Material
11501W00-NP	Nylon 66, UL 94V-0	本色/无卤	Brass/Tin-plated
11501W00-NPJ	Nylon 66, UL 94V-0	灰色	Brass/Tin-plated
11501W00-NP-6T	Nylon 6T, UL 94V-0	本色	Brass/Tin-plated
11501W00-NPA-6T	Nylon 6T, UL 94V-0	黑色	Brass/Tin-plated
11501W00-NP-H1-HF	Nylon 10T, UL 94V-0	本色/无卤	Brass/Tin-plated
11501W00-NPA-H1-HF	Nylon 10T, UL 94V-0	黑色/无卤	Brass/Tin-plated
11501W00-NPC-H1-HF	Nylon 10T, UL 94V-0	红色/无卤	Brass/Tin-plated

REV.	REVISION RECORD	DATE	GENERAL TOLERANCES	SCALE	NAME	DATE	PART NO.	DWG NO.	JCTC® TERMINAL&CONNECTORS
C3	WN1611030179	16.11.07	LINEAR	1:1			11501W00-NPX	ENDE05	
C4	依ECN20220307069变更1处	22.04.27	0.0±0.25	APPROVED	W. Nelson	23.02.01	TITLE ZH 1.50mm PITCH CONN		
C5	依PBJOA202207190004新增	22.12.29	0.00±0.15	DESIGNER	VM	23.02.01			
C6	依ECN20230112355变更材料	23.01.10	0.000±0.08	DRAWN	HZJ	23.01.10			
			X° REF±6°						REV
			X° ±3°						C6
			X° X' ±2°						SHEET
									1/1