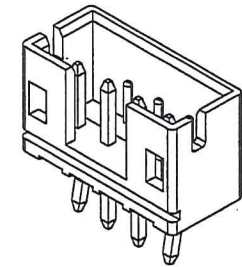


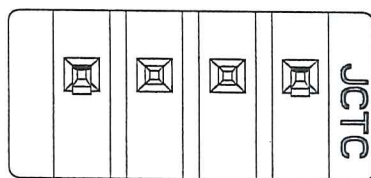
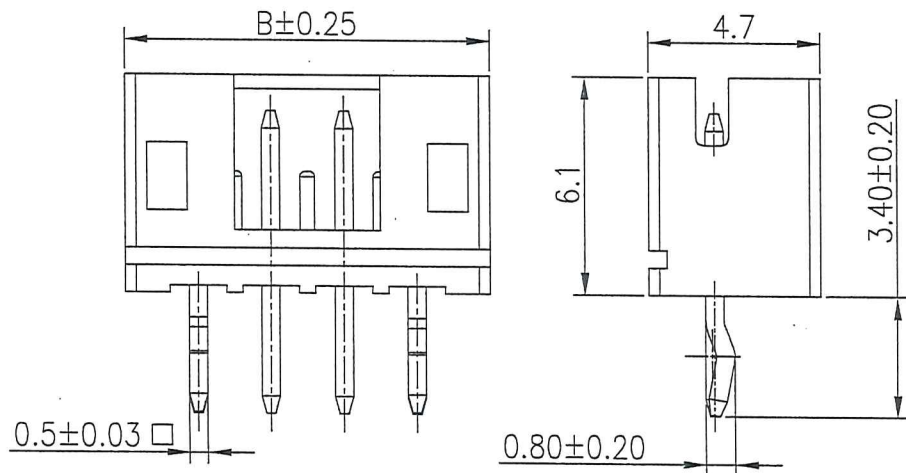
Specifications:
 Rated Voltage : 100V AC/DC
 Rated Current : 3A AC,DC
 Withstand Voltage : 800V AC/minute
 Contact Resistance : 10mΩ(MAX.)
 Insulation Resistance : 1000MΩ(MIN.)
 Temperature Range : -25°C~+85°C
 The product using material and processing must conform to the "WI-PZ-142"HSF technical standard control requirements



PART NO.	Dimensions	
	A	B
2P	--	6.00
3P	4.00	8.00
4P	6.00	10.00
5P	8.00	12.00
6P	10.00	14.00
7P	12.00	16.00
8P	14.00	18.00
9P	16.00	20.00
10P	18.00	22.00
11P	20.00	24.00
12P	22.00	26.00
13P	24.00	28.00
14P	26.00	30.00
15P	28.00	32.00
16P	30.00	34.00

12001W00-NPX-XX-HF
 ① ② ③ ④ ⑤ ⑥

- ① Series No.
- ② W90 : Side Contact
W00 : Up Contact
- ③ No. of Circuits
- ④ X : Product color(A--Y)
- ⑤ Blank : Tin
5A : Gold Flash
5C : Au 3u"
5G : Au 15u"
- ⑥ HF : Halogen Free



Part No.	Material	Color	PIN Material
12001W00-NP-5G-HF	Nylon 66,UL94V-0	Natural(White)	Brass/Au 15u"
12001W00-NP-5C-HF	Nylon 66,UL94V-0	Natural(White)	Brass/Au 3u"
12001W00-NP-5A-HF	Nylon 66,UL94V-0	Natural(White)	Brass/Gold Flash
12001W00-NP-HF	Nylon 66,UL94V-0	Natural(White)	Brass/Tin
12001W00-NPA-HF	Nylon 66,UL94V-0	Black	Brass/Tin
12001W00-NPC-HF	Nylon 66,UL94V-0	Red	Brass/Tin
12001W00-NPE-HF	Nylon 66,UL94V-0	Yellow	Brass/Tin
12001W00-NPF-HF	Nylon 66,UL94V-0	Green	Brass/Tin
12001W00-NPG-HF	Nylon 66,UL94V-0	Blue	Brass/Tin
12001W00-NPY-HF	Nylon 66,UL94V-0	Yellow	Brass/Tin
12001W00-NPP-HF	Nylon 66,UL94V-0	Blue	Brass/Tin
12001W00-NPR-HF	Nylon 66,UL94V-0	Red	Brass/Tin

REV.	REVISION RECORD	DATE	GENERAL TOLERANCES	SCALE	NAME	DATE	PART NO.	DWG NO.
D0	依WN1808170153设变	18.08.17	LINEAR 0.0±0.25 ANGLES X° REF±6°	1:1	APPROVED Nelson	22.04.08	12001W00-NPX-HF	ENDE05
D1	换图框发行	20.12.01						
D2	新增镀金规格	21.09.13	UNIT: MM 0.00±0.15 X° ±3°	DESIGNER VM	22.04.08	TITLE 2.00mm PITCH DIP TYPE 180° WAFER	 TERMINAL&CONNECTORS	
D3	新增镀金规格	22.04.08	SIZE: A4 0.000±0.08 X° X' ±2°					