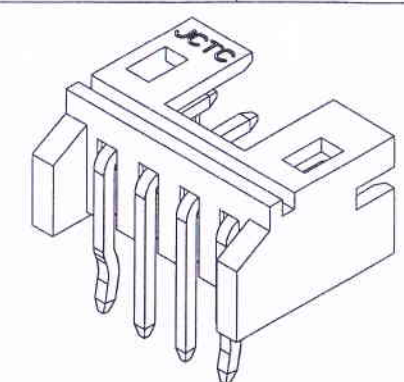


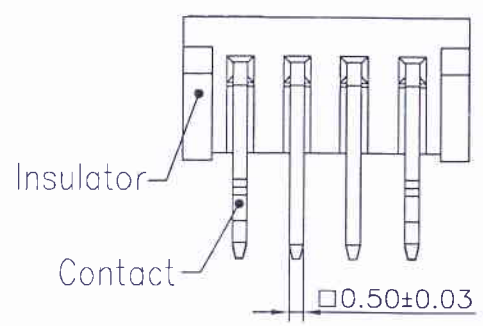
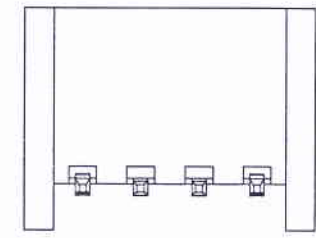
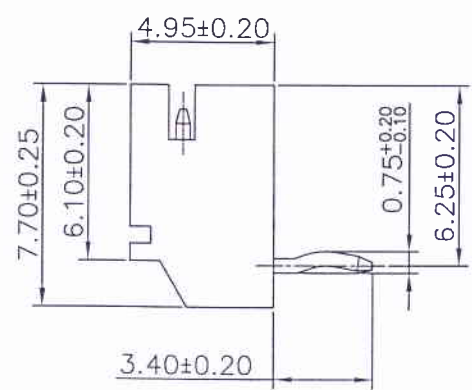
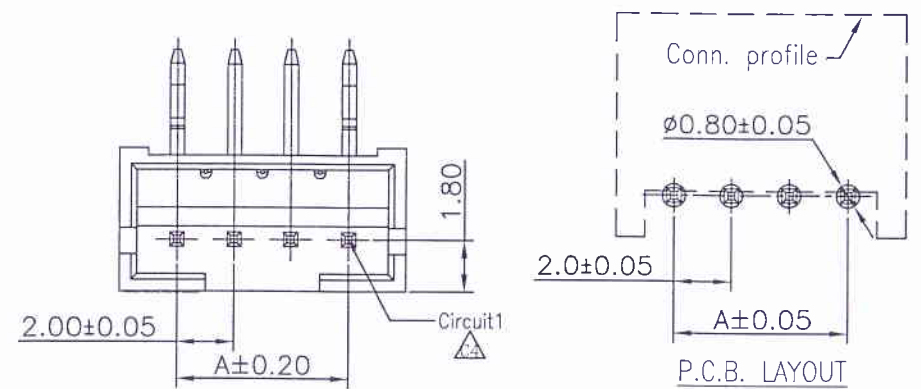
胜蓝科技股份有限公司  
2018.08.20  
工程部  
技术文件发行章



Specifications:  
Rated Voltage : 100V AC/DC  
Rated Current : 3A AC,DC  $\Delta$   
Withstand Voltage : 800V AC/minute  
Contact Resistance : 10m $\Omega$ (MAX.)  
Insulation Resistance : 1000M $\Omega$ (MIN.)  
Temperature Range : -25°C~+85°C  
Contact: Brass/Tin-plated  
Insulator: Nylon66 UL94V-0 Halogen Free.  
The product using material and processing must conform to the "WI-PZ-142"HSF technical standard control requirements

Circuits	Dimensions	
	A	B
2P	--	6.00
3P	4.00	8.00
4P	6.00	10.00
5P	8.00	12.00
6P	10.00	14.00
7P	12.00	16.00
8P	14.00	18.00
9P	16.00	20.00
10P	18.00	22.00
11P	20.00	24.00
12P	22.00	26.00
13P	24.00	28.00
14P	26.00	30.00
15P	28.00	32.00
16P	30.00	34.00

Part No.	Material	Color	PIN Material
12001W90-NP-HF	Nylon 66,UL94V-0	Natural(White)	Brass/Tin-plated
12001W90-NPA-HF	Nylon 66,UL94V-0	Black	Brass/Tin-plated
12001W90-NPG-HF	Nylon 66,UL94V-0	Blue	Brass/Tin-plated
12001W90-NPC-HF	Nylon 66,UL94V-0	Red	Brass/Tin-plated
12001W90-NPY-HF	Nylon 66,UL94V-0	Yellow	Brass/Tin-plated



- 12001W90-NPX-HF  
① ② ③ ④ ⑤
- ① Series No.
  - ② W90 : Side Contact  
W00 : Up Contact
  - ③ No. of Circuits
  - ④ X : Product color(A--Y)
  - ⑤ HF : Halogen Free

REV.	REVISION RECORD	DATE	GENERAL TOLERANCES	SCALE: 1:1	NAME	DATE	JCTC® 胜蓝科技股份有限公司 TERMINAL&CONNECTORS 东莞市富智达电子科技有限公司		PART NO:
C1	新增颜色规格	13.10.25	LINEAR	ANGLES	APPROVED				12001W90-NPX-HF
C2	依客户要求新增颜色规格	13.11.21	0.0±0.25	X° REF±6°	DESIGNER		TITLE: 2.00mm PITCH DIP TYPE 90° WAFER		DWG NO:
C3	更新公司名称	17.01.18	UNIT: MM 0.00±0.15	X° ±3°	DRAWN				ENDE05
C4	依WN1808170153没变	18.08.17	SIZE: M4 0.000±0.08	X° X'±2°					REV: C4 SHEET: 1/1