

1 2 3 4 5 6 7 8

A

B

C

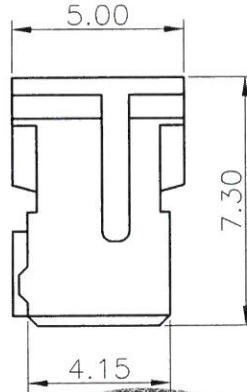
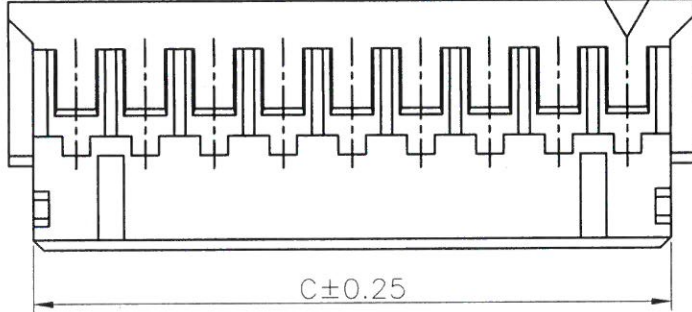
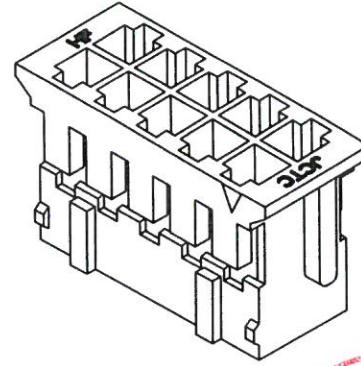
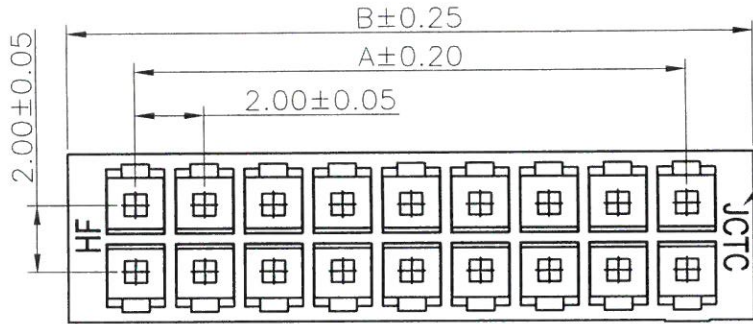
D

E

F

G

H



Circuits No.	Dimensions		
	A	B	C
2x2P	2.00	5.90	4.50
2x3P	4.00	7.90	6.50
2x4P	6.00	9.90	8.50
2x5P	8.00	11.90	10.50
2x6P	10.00	13.90	12.50
2x7P	12.00	15.90	14.50
2x8P	14.00	17.90	16.50
2x9P	16.00	19.90	18.50
2x10P	18.00	21.90	20.50
2x11P	20.00	23.90	22.50
2x12P	22.00	25.90	24.50
2x13P	24.00	27.90	26.50
2x14P	26.00	29.90	28.50
2x15P	28.00	31.90	30.50
2x16P	30.00	33.90	32.50
2x17P	32.00	35.90	34.50
2x18P	34.00	37.90	36.50
2x19P	36.00	39.90	38.50
2x20P	38.00	41.90	40.50
2x21P	40.00	43.90	42.50
2x22P	42.00	45.90	44.50
2x23P	44.00	47.90	46.50
2x24P	46.00	49.90	48.50
2x25P	48.00	51.90	50.50

Specifications:
 Rated Voltage : 250V AC/DC
 Rated Current : 3A AC,DC
 Withstand Voltage : 800V AC/minute
 Contact Resistance : 10mΩ(MAX.)
 Insulation Resistance : 1000MΩ(MIN.)
 Temperature Range : -25°C~+85°C
 The product using material and processing must conform to the "WI-PZ-142"HSF technical standard control requirements

- 12002H00-2xNPX-HF
 ① ② ③ ④ ⑤
- ① Series No.
 - ② H00 : Up Contact
 - ③ No. of Circuits
 - ④ X : Product color(A--Y)
Blank : Natural type
 - ⑤ HF : Halogen Free

Suitable for JCTC 12002 series terminal

Part No.	Material	Color
12002H00-2xNP	Nylon 66,UL94V-0	本色
12002H00-2xNP-HF	Nylon 66,UL94V-0	无卤本色
12002H00-2xNPA-HF	Nylon 66,UL94V-0	无卤黑色
12002H00-2xNPN-HF	Nylon 66,UL94V-0	无卤咖啡色
12002H00-2xNPA	Nylon 66,UL94V-0	黑色
12002H00-2xNPE	Nylon 66,UL94V-0	黄色
12002H00-2xNPG	Nylon 66,UL94V-0	蓝色

REV.	REVISION RECORD	DATE	GENERAL TOLERANCES	SCALE	NAME	DATE	PART NO.	DWG NO.
C1	Modify drawing	10.09.16	LINEAR 0.0±0.25	1:1	APPROVED	2023.11.20	12002H00-2xNPX-XX	ENDE05
C2	Add new Part NO. HN1301010001	13.01.01						
C3	Update drawing	17.03.03	0.00±0.15	DESIGNER	FZM	23.11.20	TITLE PHD 2.0mm PITCH HOUSING	REV
C4	Add Color YB2023110100002	23.11.20	0.000±0.08					



REV C4 SHEET 1/1

1 2 3 4 5 6 7 8