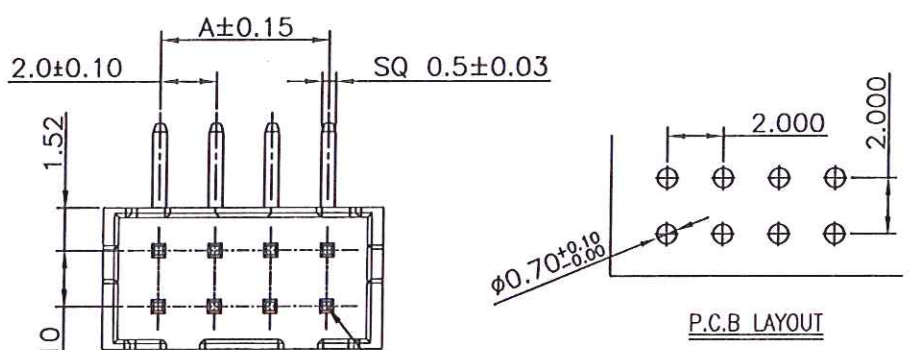
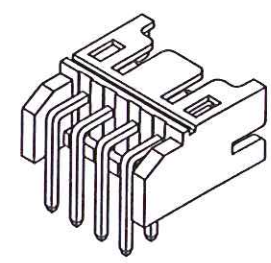


1 2 3 4 5 6 7 8

A  
B  
C  
D  
E  
F  
G  
H

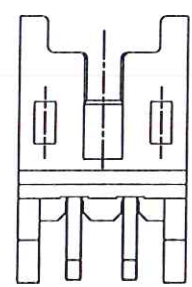


12002W90-2XNPX-XX-HF  
① ② ③ ④ ⑤ ⑥

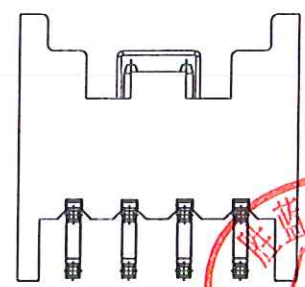
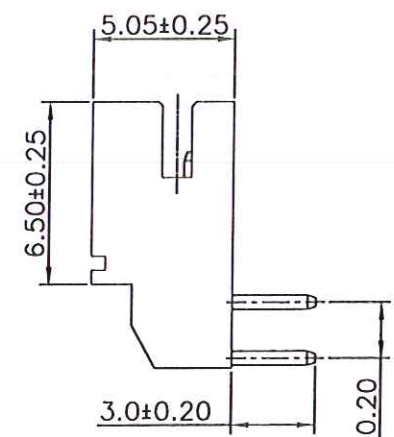
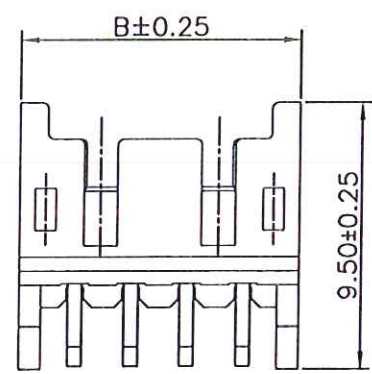


- ① Series No.
- ② W90 : Side Contact  
W00 : Up Contact
- ③ No. of Circuits
- ④ X : Product color(A--Y)  
Blank : Natural type
- ⑤ XX : Plating  
5A : Gold-flash 5F : Au 10u"
- ⑥ HF : Halogen Free

PART NO.	Dimensions	
	A	B
2x2	--	6.00
2x3	4.00	8.00
2x4	6.00	10.00
2x5	8.00	12.00
2x6	10.00	14.00
2x7	12.00	16.00
2x8	14.00	18.00
2x9	16.00	20.00
2x10	18.00	22.00
2x11	20.00	24.00
2x12	22.00	26.00
2x13	24.00	28.00
2x14	26.00	30.00
2x15	28.00	32.00
2x16	30.00	34.00
2x17	32.00	36.00
2x18	34.00	38.00
2x19	36.00	40.00
2x20	38.00	42.00



2P



Specifications:  
 Rated Voltage : 250V AC/DC  
 Rated Current : 3A AC,DC  
 Withstand Voltage : 800V AC/minute  
 Contact Resistance : 10mΩ(MAX.)  
 Insulation Resistance : 1000MΩ(MIN.)  
 Temperature Range : -25°C~+85°C

The product using material and processing must conform to the "WI-PZ-142"HSF technical standard control requirements

Part No.	Material	Color	PIN Material
12002W90-2XNP	Nylon 66,UL94V-0	灰色	Brass/Tin-plated
12002W90-2XNPJ	Nylon 66,UL94V-0	灰色	Brass/Tin-plated
12002W90-2XNP-HF	Nylon 66,UL94V-0	本色	Brass/Tin-plated
12002W90-2XNP-5A	Nylon 66,UL94V-0	灰色	Brass/Gold-flash

REV.	REVISION RECORD	DATE	GENERAL TOLERANCES	SCALE: 1:1	NAME	DATE	PART NO:	DWG. NO:	 TERMINAL&CONNECTORS
C1	TN1007150043	10.07.15	LINEAR	APPROVED	[Signature]	20.11.17	12002W90-2XNPX-XX	ENDE05	
C2	HN1212280120	12.12.28	0.0±0.25	DESIGNER	[Signature]	20.11.17			
C3	新增2xNPJ规格	16.05.30	0.00±0.15	DRAWN	陈佳龙	20.11.17			
C4	WN2011170331	20.11.17	0.000±0.08	TITLE: PHD双排 2.00mm PITCH WAFER		REV: C4			SHEET: 1/1

1 2 3 4 5 6 7 8