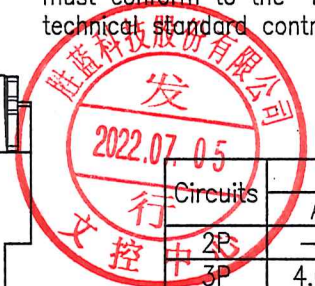


Specifications:
 Rated Voltage : 250V AC/DC
 Rated Current : 3A AC,DC
 Withstand Voltage : 1000V AC/minute
 Contact Resistance : 30mΩ(Max.)
 Insulation Resistance : 1000MΩ(Min.)
 Temperature Range : -25°C~+85°C
 Contact: Brass/Tin-plated
 Solder Tabs: Brass/Tin-plated
 Insulator: Thermal Plasticity Resin, UL94V-0
 Halogen Free/Natural(Beige)
 The product using material and processing must conform to the "WI-PZ-142"HSF technical standard control requirements



Circuits	Dimensions		
	A	B	C
2P	---	8.00	1.50
3P	4.00	10.00	
4P	6.00	12.00	3.50
5P	8.00	14.00	5.50
6P	10.00	16.00	7.50
7P	12.00	18.00	9.50
8P	14.00	20.00	11.50
9P	16.00	22.00	13.50
10P	18.00	24.00	15.50
11P	20.00	26.00	
12P	22.00	28.00	
13P	24.00	30.00	
14P	26.00	32.00	
15P	28.00	34.00	
16P	30.00	36.00	

12005W90-NPX-S-HF-R
 ① ② ③④⑤⑥⑦
 ① Series No.
 ② W90 : Side Contact
 W00 : Up Contact
 ③ No. of Circuits
 ④ X : Product color(A-Y)
 Blank-Natural A-Black G-Blue
 ⑤ S: SMT TYPE
 ⑥ HF: Halogen Free
 ⑦ R: Tape & Reel(Without Cap or Mylar)



REV.	REVISION RECORD	DATE	GENERAL TOLERANCES		SCALE	NAME	DATE	PART NO.	DWG NO.
A0	新图面发行	15.01.21	LINEAR	ANGLES	1:1	Nelson	22.05.26	12005W90-NPX-S-HF	ENDE05
A1	变更公司名称	17.03.03			0.0±0.25				
A2	ECN20220526133	22.05.26	0.00±0.15	X° ±3°	DESIGNER	MU	22.05.26	TITLE 2.00mm PITCH SMT TYPE 90° WAFER	
			SIZE: A4	0.000±0.08	X° X' ±2°	DRAWN	Fau		

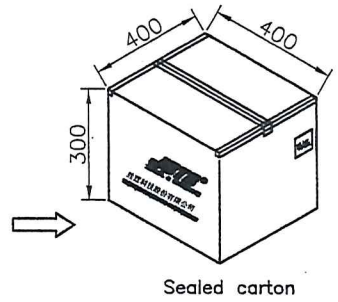
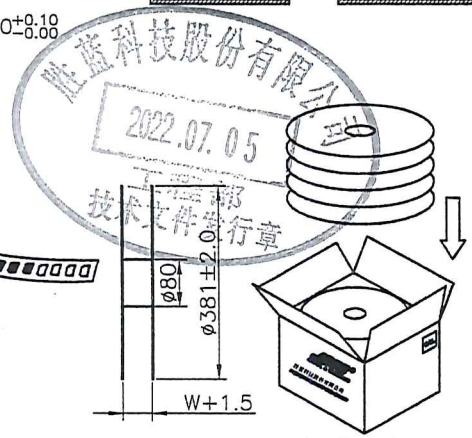
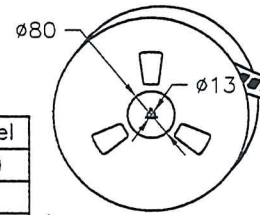
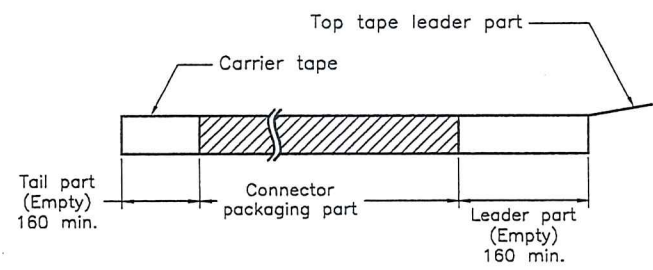
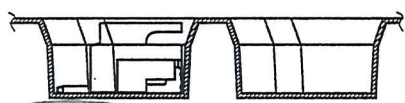
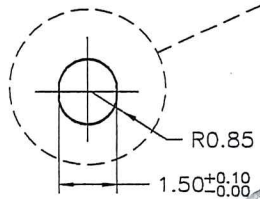
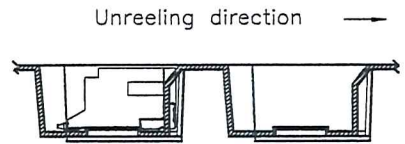
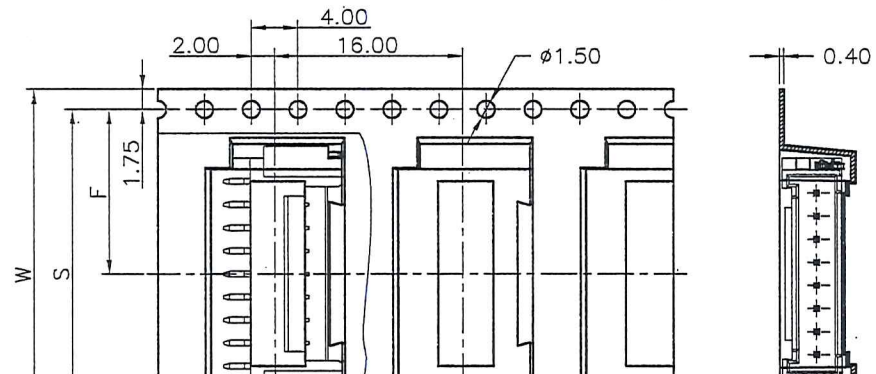
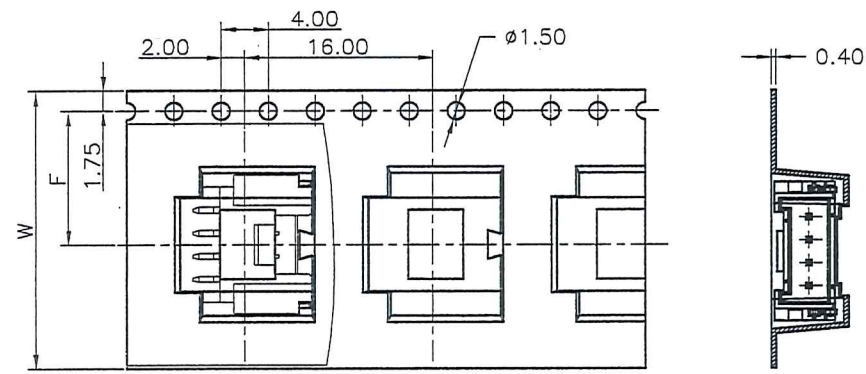
JCTC®
 TERMINAL&CONNECTORS

REV	A2	SHEET	1/2
-----	----	-------	-----



1 2 3 4 5 6 7 8

2~5 Contacts Δ

6~16 Contacts Δ



Number of Contacts	W±0.3	F±0.1	S±0.1	Pcs/Reel	Pcs/Reel
2P~3P	16	7.50	/	800	12,000
4P~5P	24	11.50		800	8,000
6P~9P	32	14.20	28.40	800	6,400
10P~14P	44	20.20	40.40	800	4,800
15P~16P	56	26.20	52.40	800	4,000

REV.	REVISION RECORD	DATE	GENERAL TOLERANCES		SCALE	NAME	DATE	PART NO.	DWG NO.	 TERMINAL&CONNECTORS	
A0	新图面发行	15.01.21		LINEAR	1:1	Nelson	22.05.26	12005W90-NPX-S-HF	ENDE05		
A1	变更公司名称	17.03.03		0.0±0.25	ANGLES						DESIGNER
A2	ECN20220526133	22.05.26	UNIT: MM	0.00±0.15	X° REF±6°	22.05.26	2.00mm PITCH SMT TYPE 90° WAFER	REV	A2		SHEET
			SIZE: A4	0.000±0.08	X° X' ±2°	22.05.26					

1 2 3 4 5 6 7 8