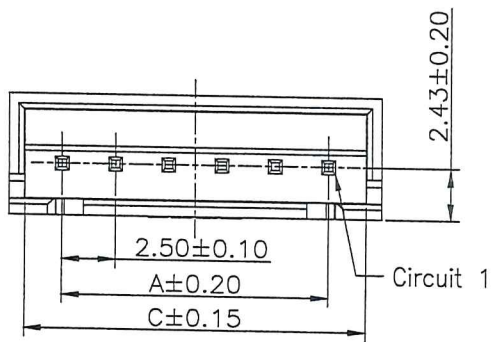


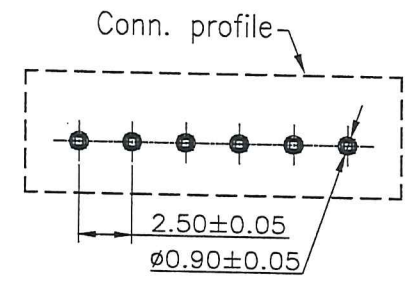
1 2 3 4 5 6 7 8

A  
B  
C  
D  
E  
F  
G  
H

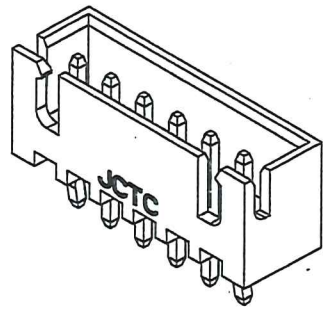
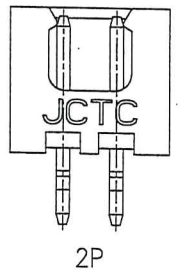
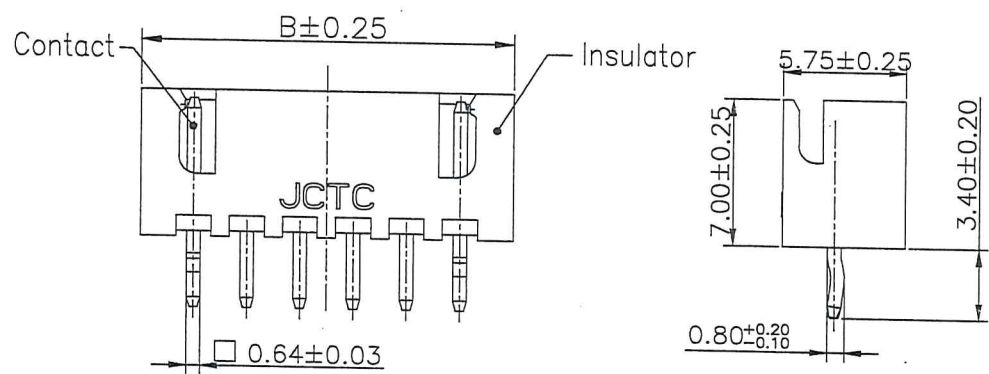
A  
B  
C  
D  
E  
F  
G  
H



Specifications:  
 Rated Voltage : 250V AC/DC  
 Rated Current : 3A AC,DC  
 Withstand Voltage : 1000V AC/minute  
 Contact Resistance : 10mΩ(MAX.)  
 Insulation Resistance : 1000MΩ(MIN.)  
 Temperature Range : -25°C~+85°C  
 Contact: Brass/Tin-plated  
 Material: Nylon66 UL94V-0 Halogen Free.  
 The product using material and processing must conform to the "WI-PZ-142"HSF technical standard control requirements

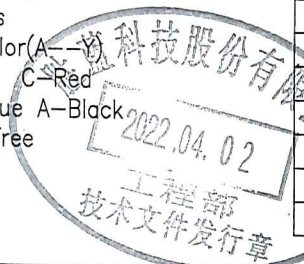


P.C.B LAYOUT



12501W00-NPX-HF

- ① Series No.
- ② W90 : Side Contact  
W00 : Up Contact
- ③ No. of Circuits
- ④ X : Product color(A--V)  
Blank-Natural C-Red  
F-Green G-Blue A-Black
- ⑤ HF : Halogen Free



Circuits	Dimensions		
	A	B	C
2P	--	7.50	6.00
3P	5.00	10.00	8.50
4P	7.50	12.50	11.00
5P	10.00	15.00	13.50
6P	12.50	17.50	16.00
7P	15.00	20.00	18.50
8P	17.50	22.50	21.00
9P	20.00	25.00	23.50
10P	22.50	27.50	26.00
11P	25.00	30.00	28.50
12P	27.50	32.50	31.00
13P	30.00	35.00	33.50
14P	32.50	37.50	36.00
15P	35.00	40.00	38.50
16P	37.50	42.50	41.00

Part No.	Material	Color	PIN Material
12501W00-NP-HF	Nylon 66,UL94V-0	Natural(White)	Barss/Tin-plated
12501W00-NPA-HF	Nylon 66,UL94V-0	Black	Barss/Tin-plated
12501W00-NPC-HF	Nylon 66,UL94V-0	Red	Barss/Tin-plated
12501W00-NPE-HF	Nylon 66,UL94V-0	Yellow	Barss/Tin-plated
12501W00-NPF-HF	Nylon 66,UL94V-0	Green	Barss/Tin-plated
12501W00-NPG-HF	Nylon 66,UL94V-0	Blue	Barss/Tin-plated

REV.	REVISION RECORD	DATE	GENERAL TOLERANCES		SCALE:	NAME	DATE	PART. NO.:	DWG. NO.:	
C0	新图面发行	14.05.16		LINEAR	1:1	Nelson	22.06.01	12501W00-NP-HF	ENDE05	
C1	新增颜色规格	16.12.26		0.0±0.25	ANGLES					
C2	更换公司名称	20.11.20	UNIT: MM	0.00±0.15	X° ±3°	DESIGNER	22.04.01	TITLE:	REV: C3	
C3	新增颜色规格	22.04.01	SIZE: A4	0.000±0.08	X° X'±2°	DRAWN	王宁			22.04.01

1 2 3 4 5 6 7 8