

1

2

3

4

5

6

7

8

A

B

C

D

E

F

G

A

B

C

D

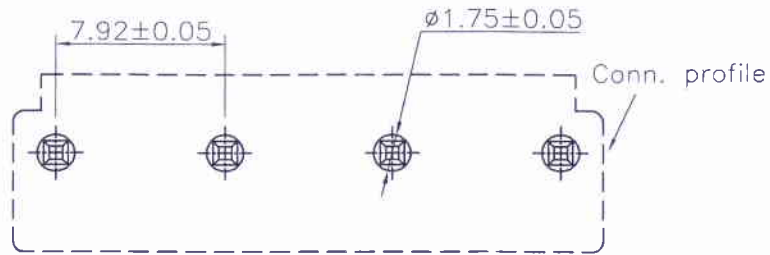
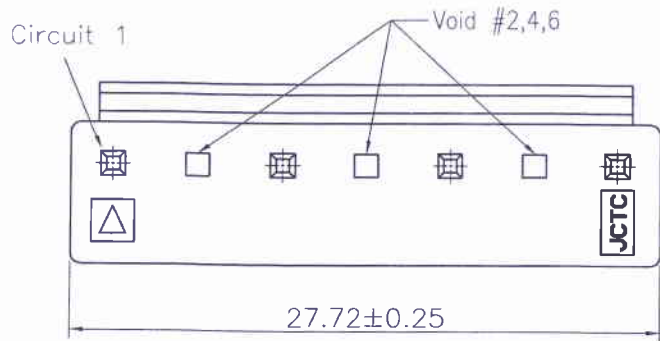
E

F

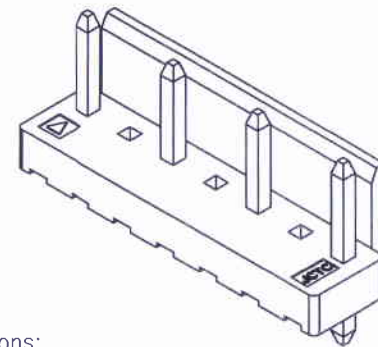
G

Circuit 1

Void #2,4,6

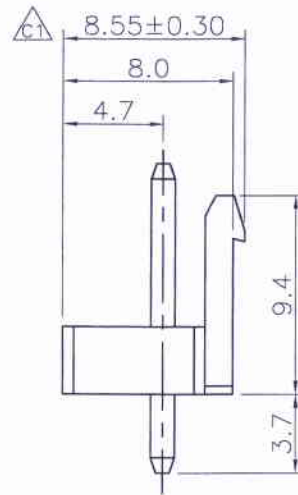
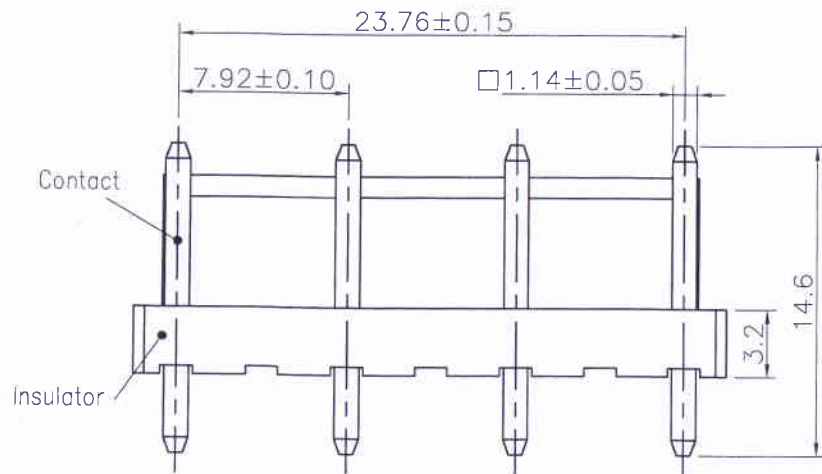


Recommended P.C.B Layout



Specifications:

- Rated Voltage : 250V AC/DC
  - Rated Current : 10A AC,DC
  - Withstand Voltage : 1500V AC/minute
  - Contact Resistance : 10mΩ(MAX.)
  - Insulation Resistance : 1000MΩ(MIN.)
  - Temperature Range : -25°C~+85°C
  - Contact: Brass/Tin-plated
  - Material: Nylon 66,UL94V-0 Halogen Free
  - Color: Natural(White)
- The product using material and processing must conform to the "WI-PZ-142" HSE technical standard control requirements.



REV.	REVISION RECORD	DATE	UNIT: MM	GENERAL TOLERANCES		SCALE:	NAME	DATE	PART. NO:	DWG. NO:	JCTC® TERMINAL&CONNECTORS
C0	新图面发行	13. 12. 04		LINEAR	ANGLES	1:1					
C1	修改卡扣结构	15. 05. 13	0. 0±0. 25	X° REF±6°	APPROVED			13962W00-7P-HF-001	ENDE05		
C2	换图框发行	20. 05. 21	0. 00±0. 15	X° ±3°	DESIGNER			3.96mm Pitch Dip Type 180° Wafer			
			SIZE: A4	0. 000±0. 08	X° X'±2°	DRAWN	张振坤				20. 05. 21

1

2

3

4

5

6

7

8

H

H