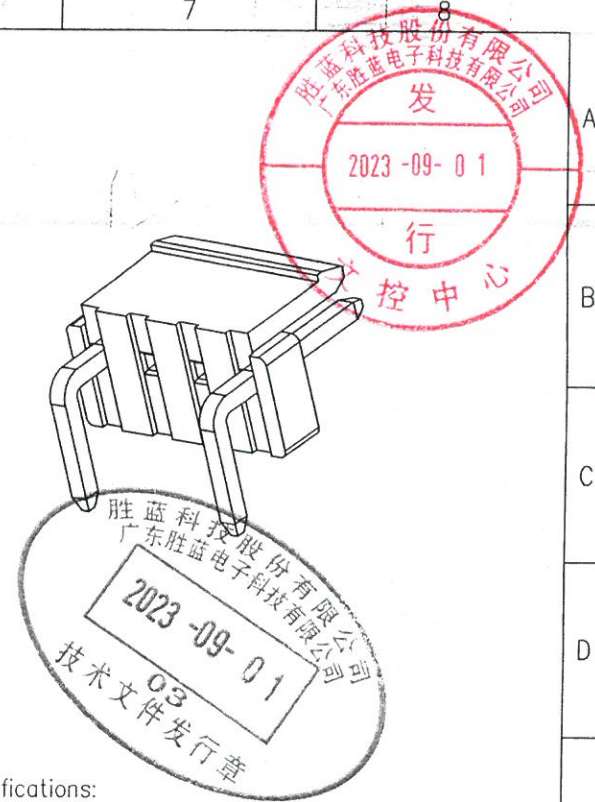
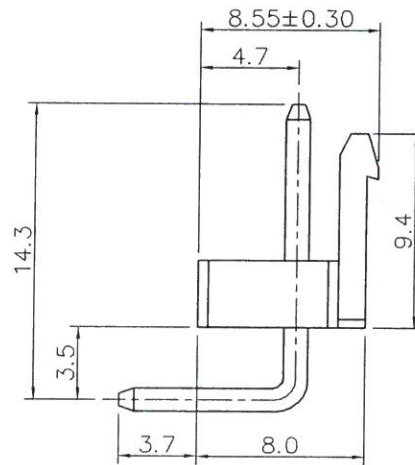
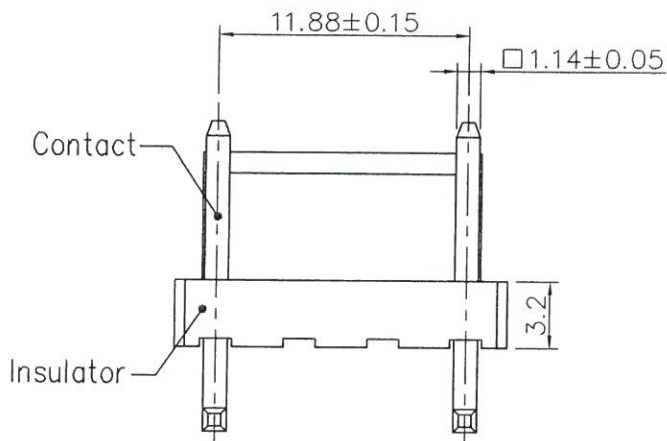


Recommended P.C.B Layout



Specifications:

Rated Voltage : 250V AC/DC

Rated Current : 12A AC,DC

Withstand Voltage : 1500V AC/minute

Contact Resistance : 10mΩ(MAX.)

Insulation Resistance : 1000MΩ(MIN.)

Temperature Range : -25°C~+85°C

The product using material and processing must conform to the "WI-PZ-142"HSF technical standard control requirements

Part No.	Material	Color
13962W90-4P-HF-004	Nylon66,UL94V-0 Brass/Tin plated	white
13962W90-4PA-HF-004	Nylon66,UL94V-0 Brass/Tin plated	black

REV.	REVISION RECORD	DATE	GENERAL TOLERANCES		SCALE:	NAME	DATE	PART. NO:	DWG. NO:	JCTC ®	
A0	新图面发行	23.09.01	LINEAR	ANGLES	1:1	<i>[Signature]</i>	23.09.01	13962W90-4PX-HF-004	ENDE05		
			0.00±0.25	X° REF±6°	APPROVED						
			0.00±0.15	X° ±3°	DESIGNER						
			0.000±0.08	X° X'±2°	DRAWN						
			UNIT: MM			全宇星	23.09.01	TITLE: 3.96mm Pitch DIP Type 90° Wafer 空第2P、3P		REV: A0	SHEET: 1/1