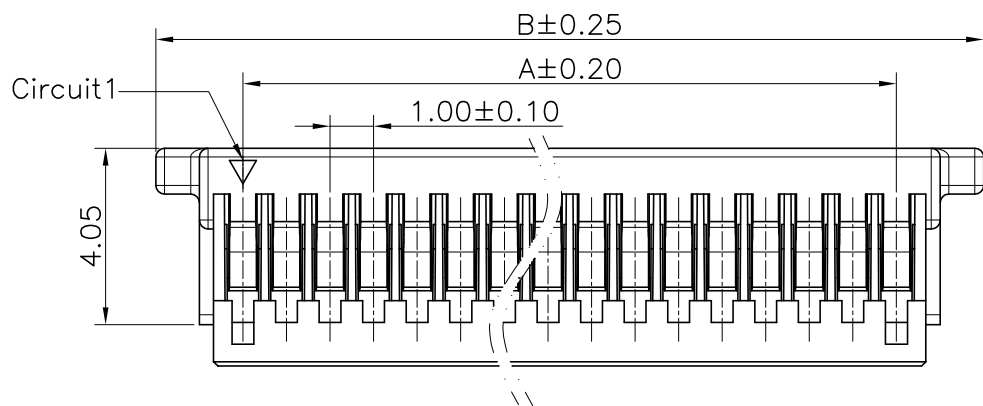
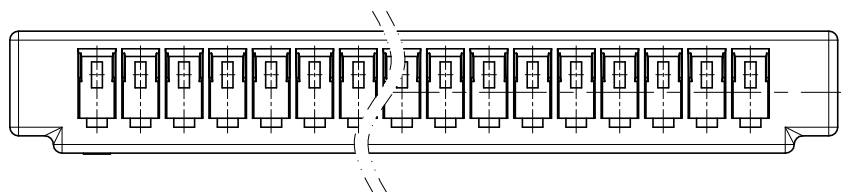
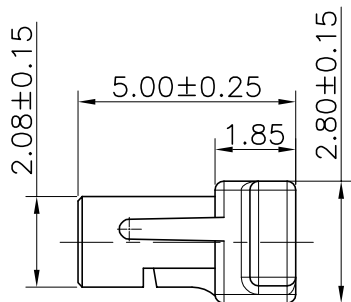
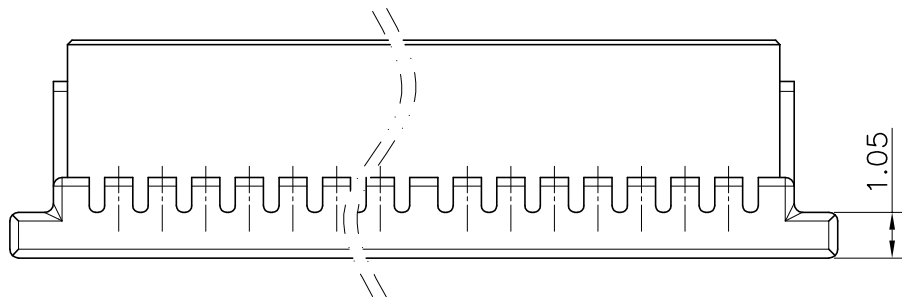


The product using material and processing must conform to the "WI-PZ-142"HSF technical standard control requirements

RoHS+HF




NOTE:

- 1.MATERIAL SPECIFICATION:
1-1.HOUSING:PA66 UL94V-0
- 2.ELECTRICAL PERFORMANCE:
2-1.INSULATION RESISTANCE: 100MΩ MIN
2-2.WITHSTANDING VOLTAGE: 500V AC/minute
- 3.ENVIRONMENTAL PERFORMANCE:
OPERATING TEMPERATURE: -25°C~+85°C.
- 4.PACKAGE SPEC: PE BAG
- 5.P/N:

SERIES NO: A1002 H M-1 XX X 0
 COLOR: A-BLACK S-NATURE
 CONNECTOR: H-HOUSING
 PIN Q'PY: 02~20
 MALE FEMALE: M-MALE
 ROW NO: 1-SINGLE ROW

Ordering Information & Dimensions

Circuit	Dimensions(mm)		Circuit	Dimensions(mm)	
	A	B		A	B
02	1.00	5.00	12	11.00	15.00
03	2.00	6.00	13	12.00	16.00
04	3.00	7.00	14	13.00	17.00
05	4.00	8.00	15	14.00	18.00
06	5.00	9.00	16	15.00	19.00
07	6.00	10.00	17	16.00	20.00
08	7.00	11.00	18	17.00	21.00
09	8.00	12.00	19	18.00	22.00
10	9.00	13.00	20	19.00	23.00
11	10.00	14.00			

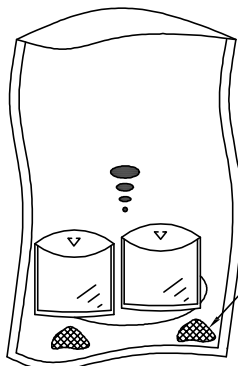
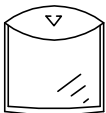
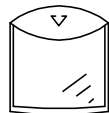
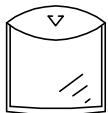
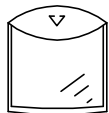
REV.	REVISION RECORD	DATE	UNIT:mm	GENERAL TOLERANCES		SCALE: 1:1	NAME	DATE	PART.NO:	DWG.NO:	 WanLian Technology Co., Ltd
A0	NEW RELEASE	21.01.13		SIZE: A4	LINEAR 0.00±0.25	ANGLES X°REF±6°	APPROVED	Wang_jr	21.01.13	A1002HM-1XXX0	
				0.00±0.10	X°±3°	DESIGNER	Ding_bo	21.01.13	TITLE: PITCH 1.00MM 180° SINGLE ROW HOUSING		REV: A0
					X°X' ±2°	DRAWN	Ou_jian	21.01.13			SHEET: 1/2

The product using material and processing must conform to the "WI-PZ-142"HSF technical standard control requirements

RoHS+HF

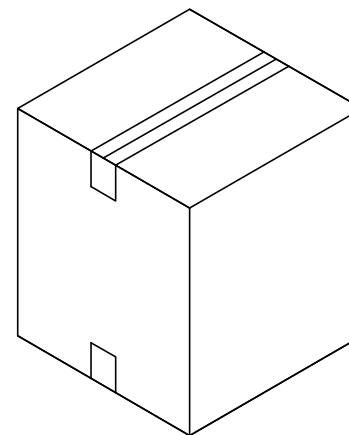
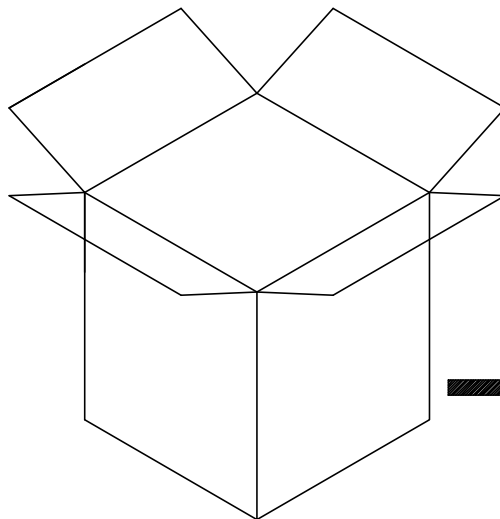


2000PCS/BAG



PE 防水袋

干燥剂



1. 纸箱装箱以不超过装箱线为准, 空余位置用塑料泡沫及保尼龙填充;
2. 因生产Pin位未齐全, 每袋与整箱包装数量仅供参考, 具体包装数量以实际出货为准, 或批量出货更新后为准:

REV.	REVISION RECORD	DATE		GENERAL TOLERANCES		SCALE: 1:1	NAME	DATE	PART.NO:	DWG.NO:	
A0	NEW RELEASE	21.01.13		LINEAR	ANGLES	APPROVED	Wang_jr	21.01.13	A1002HM-1XXX0	ENDE05	
			UNIT:mm	0.00±0.25	X'±3'	DESIGNER	Ding_bo	21.01.13	TITLE:		REV: A0 SHEET: 2/2
			SIZE: A4	0.000±0.10	X'X' ±2'	DRAWN	Ou_jian	21.01.13	PITCH 1.00MM 180° SINGLE ROW HOUSING		