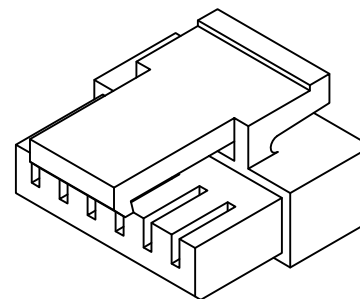
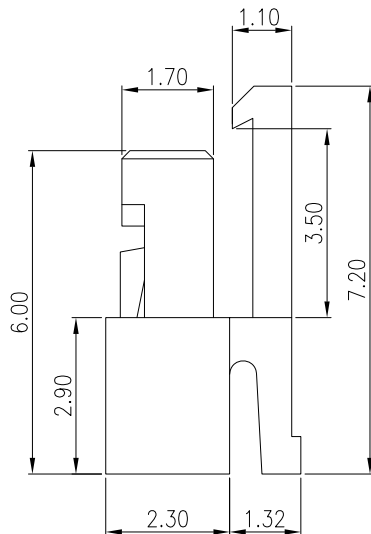
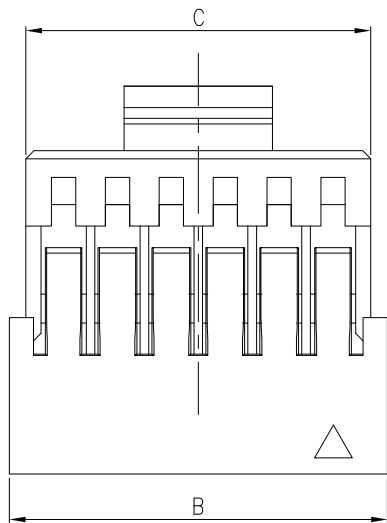
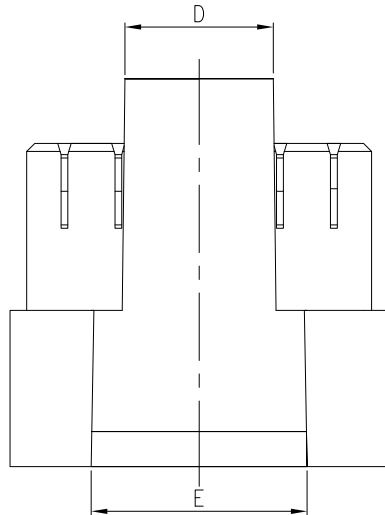
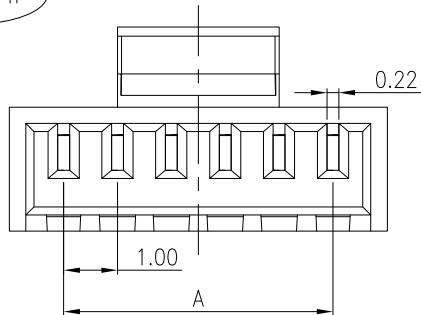


The product using material and processing must conform to the "WI-PZ-001"HSF technical standard control requirements


RoHS+HF



3D VIEW

NOTE:
 1.MATERIAL SPECIFICATION:
 1-1.HOUSING: PA66,UL94V-0
 2.MECHANICAL PERFORMANCE:
 2-1.RETENTIVITY FORCE: 0.5KGF/Pin Min
 2-2.DURABILITY: 50 CYCLES.
 3.ELECTRICAL PERFORMANCE:
 3-1.CURRENT RATING: 1A AC/DC
 RATED VOLTAGE : 125V AC/DC
 3-2.CONTACT RESISTANCE: 20 mΩ MAX
 3-3.INSULATION RESISTANCE: 100MΩ Min
 3-4.DIELECTRIC WITHSTANDING : 500V
 4.ENVIRONMENTAL PERFORMANCE:
 4-1.OPERATING TEMPERATURE: -25°C~+85°C.
 5.PACKAGE SPEC: PE BAG
 6.P/N: A1009 H 1 M-1 XX X 0
 SERIES NO: _____ COLOR:
 A-BLACK
 K-WHITE
 S-NATURE
 CONNECTOR: _____
 H-HOUSING
 TYPE CODE: _____
 PIN Q'PY:
 02~20
 MALE FEMALE: _____
 M-MALE
 F-FEMALE
 ROW NO:
 1-SINGLE ROW

Poles	DIM:(mm)				
	A	B	C	D	E
02	1.00	3.00	2.40	1.75	3.00
03	2.00	4.00	3.40	1.75	3.00
04	3.00	5.00	4.40	2.75	4.00
05	4.00	6.00	5.40	2.75	4.00
06	5.00	7.00	6.40		
07	6.00	8.00	7.40	2.75 (小扣)	4.00 (小扣)
08	7.00	9.00	8.40		
09	8.00	10.00	9.40		
10	9.00	11.00	10.40		
11	10.00	12.00	11.40		
12	11.00	13.00	12.40		
13	12.00	14.00	13.40	4.75 (大扣)	6.00 (大扣)
14	13.00	15.00	14.40		
15	14.00	16.00	15.40		
16	15.00	17.00	16.40		
17	16.00	18.00	17.40		
18	17.00	19.00	18.40		
19	18.00	20.00	19.40		
20	19.00	21.00	20.40		

REV.	REVISION RECORD	DATE	UNIT:mm	GENERAL TOLERANCES		SCALE:	NAME	DATE	PART.NO:	DWG.NO:	 WanLian Teconology Co., Ltd
AO	NEW RELEASE	22.10.28		SIZE: A4	LINEAR	ANGLES	1:1	APPROVED	Wang_jr	A1009H1M-1XXX0	
				0.00±0.25	X°±3°		DESIGNER	Han_Gao	TITLE:		REV: A0
				0.000±0.10	X°X' ±2°		DRAWN	LanXuan_Hou	Pitch1.0mm NHB单排带扣无卤胶壳		SHEET: 1/1