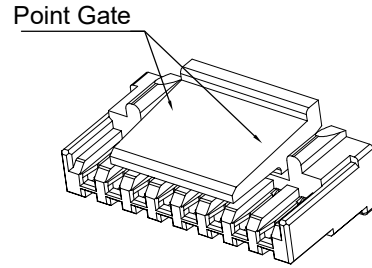
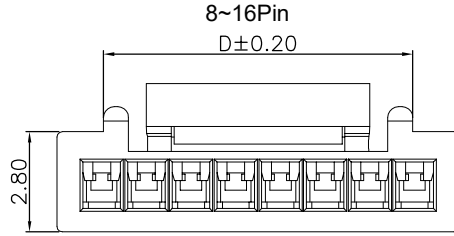
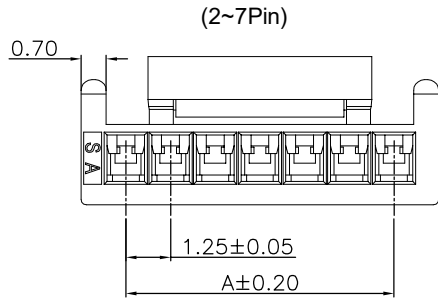
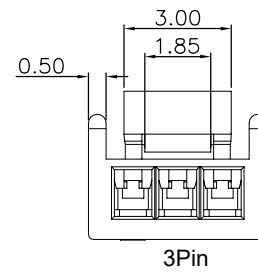
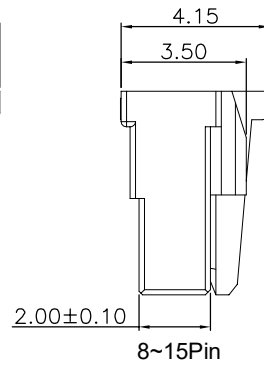
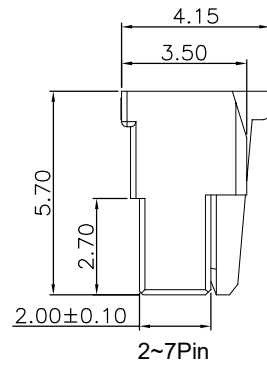
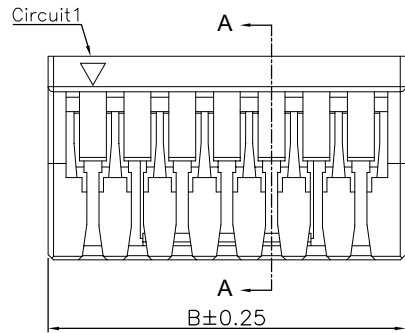


The product using material and processing must conform to the "WI-PZ-001" HSF technical standard control requirements

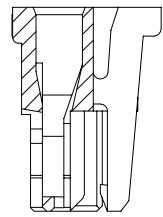
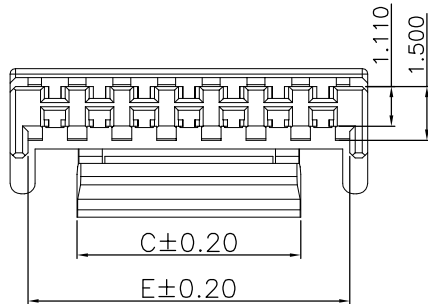
RoHS+HF



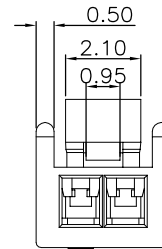
NOTE:  
 1.MATERIAL SPECIFICATION:  
 1-1.HOUSING: PA66,UL94V-0  
 2.ELECTRICAL PERFORMANCE:  
 2-1.INSULATION RESISTANCE: 100MΩ Min  
 2-2.DIELECTRIC WITHSTANDING : 500V  
 3.ENVIRONMENTAL PERFORMANCE:  
 3-1.OPERATING TEMPERATURE: -25°C~+85°C.  
 4.PACKAGE SPEC: PE BAG  
 5.P/N:



SERIES NO: A1257 H M-1 XX X 0  
 COLOR:  
 A-BLACK  
 K-WHITE  
 CONNECTOR:  
 H-HOUSING  
 MALE FEMALE:  
 M-MALE  
 PIN Q'PY:  
 02~16  
 ROW NO:  
 1-SINGLE ROW



SECTION:A-A



Ordering Information & Dimensions

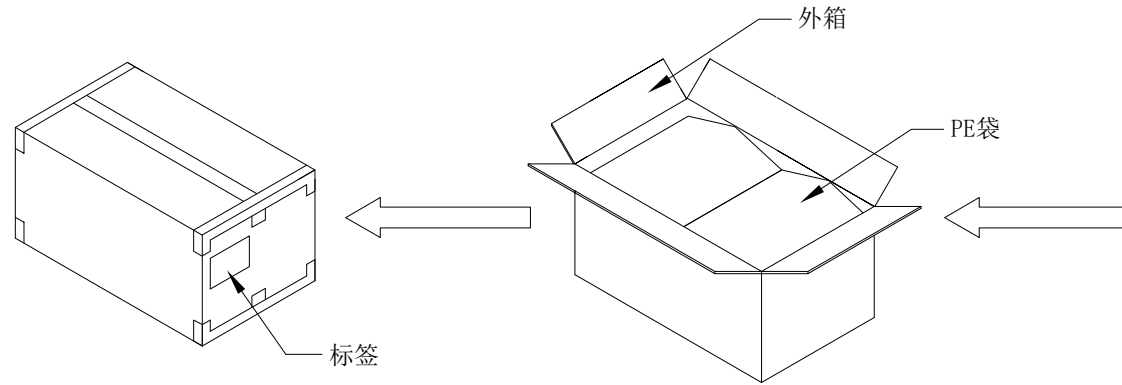
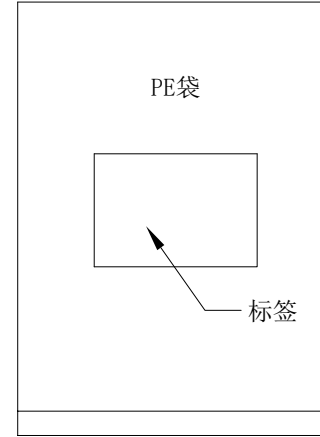
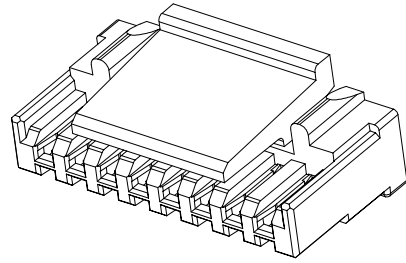
Circuit	Dimensions(mm)					Circuit	Dimensions(mm)				
	A	B	C	D	E		A	B	C	D	E
02	1.25	3.75	2.10	2.75	10	11.25	13.75	8.20	10.70	12.75	
03	2.50	5.00	3.00	4.00	11	12.50	15.00	8.20	10.70	14.00	
04	3.75	6.25	4.05	5.25	12	13.75	16.25	8.20	10.70	15.25	
05	5.00	7.50	4.25	6.50	13	15.00	17.50	8.20	10.70	16.50	
06	6.25	8.75	6.25	7.75	14	16.25	18.75	8.20	10.70	17.75	
07	7.50	10.00	6.25	9.00	15	17.50	20.00	8.20	10.70	19.00	
08	8.75	11.25	6.25	8.65	10.25	16	18.75	21.25	8.20	20.25	
09	10.00	12.50	6.25	8.65	11.50						

REV.	REVISION RECORD	DATE	UNIT:mm	GENERAL TOLERANCES		SCALE:	NAME	DATE	PART.NO:	DWG.NO:	TITLE:	REV: A0	SHEET: 1/2
AO	NEW RELEASE	22.07.07		LINEAR	ANGLES	1:1							
			SIZE: A4	0.00±0.25	X'±3'	APPROVED	Wang_jr	22.07.07	A1257HM-1XXX0	ENDE05	1.25mm Pitch 180° GH Single Row Housing		
				0.00±0.10	X'X' ±2'	DESIGNER	Han_Gao	22.07.07					
						DRAWN	LanXuan_Hou	22.07.07					

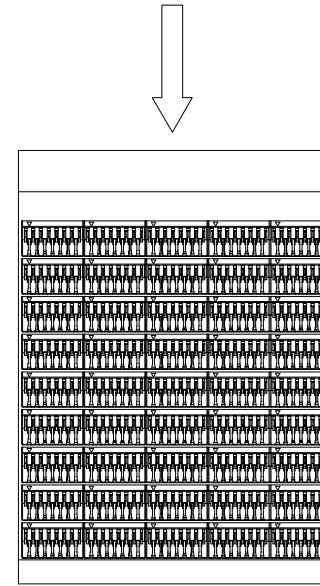


The product using material and processing must conform to the "WI-PZ-001" HSF technical standard control requirements

RoHS+HF



纸箱规格: 300\*225\*200MM



Circuit	Bag Pcs	CARTON Bag	CARTON Pcs
02	1K	50	50K
03	1K	50	50K
04	1K	50	50K
05	1K	50	50K
06	1K	50	50K
07	1K	50	50K
08	1K	50	50K
09	1K	50	50K
10	1K	50	50K
11	1K	50	50K
12	1K	50	50K
13	1K	50	50K
14	1K	50	50K
15	1K	50	50K

注意事项:

1. 产品不可少数、多数;
2. 内外包装均需有数量标签;
3. 不同PIN位包装时须分开放置不可装入同一外箱中。
4. 同一订单尾数包装需用不影响品质之物品填充并注明尾数。

REV.	REVISION RECORD	DATE		GENERAL TOLERANCES		SCALE: 1:1	NAME	DATE	PART.NO:	DWG.NO:	 WanLian Technology Co., Ltd
AO	NEW RELEASE	22.07.07		LINEAR	ANGLES	APPROVED	Wang_jr	22.07.07	A1257HM-1XXX0	ENDE05	
			0.0±0.35	X'REF±6°	DESIGNER	Han_Gao	22.07.07	TITLE:		REV: A0	SHEET: 2/2
			UNIT:mm	X'±3°	DRAWN	LanXuan_Hou	22.07.07	1.25mm Pitch 180° GH Single Row Housing			
			SIZE: A4	X'X' ±2°							