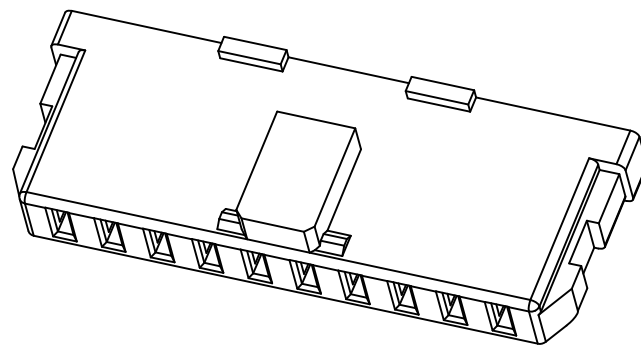
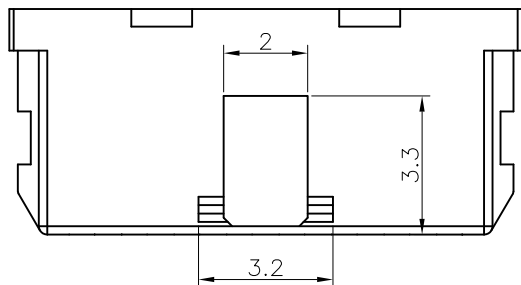
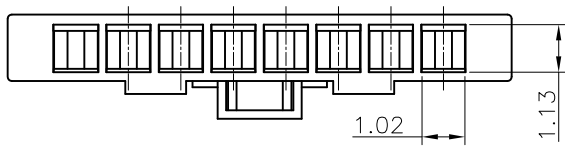
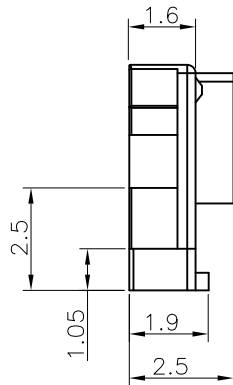
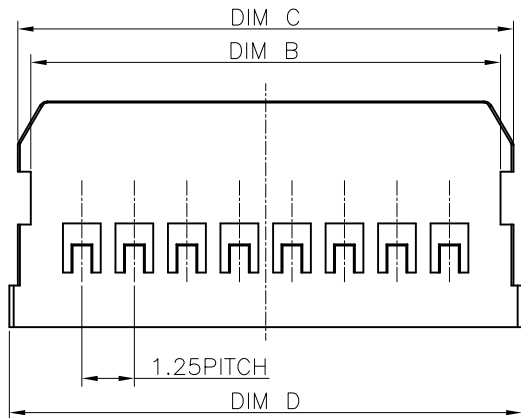
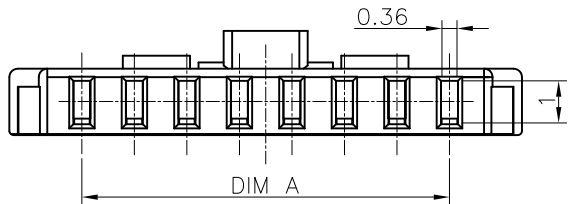


The product using material and processing must conform to the "WI-PZ-001"HSF technical standard control requirements

RoHS+HF



3D VIEW

NOTE:

- 1.MATERIAL SPECIFICATION:  
1-1.HOUSING: PA66,UL94V-0
  - 2.MECHANICAL PERFORMANCE:  
2-1.RETENTIVITY FORCE: 0.5KGF/pin min  
2-2.DURABILITY: 30 CYCLES.
  - 3.ELECTRICAL PERFORMANCE:  
3-1.CURRENT RATING: 2.5A  
RATED VOLTAGE : 200V AC/DC  
3-2.CONTACT RESISTANCE: 20 mΩ MAX  
3-3.INSULATION RESISTANCE: 100MΩ Min  
3-4.DIELECTRIC WITHSTANDING : 500V AC
  - 4.ENVIRONMENTAL PERFORMANCE:  
4-1.OPERATING TEMPERATURE: -40°C~+80°C.
  - 5.PACKAGE SPEC:PE BAG
  - 6.P/N: A125A H M-1 XX X 0
- SERIES NO: \_\_\_\_\_ COLOR:  
 CONNECTOR: \_\_\_\_\_ H-HOUSING A-BLACK  
 K-WHITE  
 S-NATURE  
 MALE FEMALE: \_\_\_\_\_ PIN Q'PY:  
 M-MALE 10PIN  
 ROW NO: \_\_\_\_\_  
 1-SINGLE ROW

CKT.	DIM.A	DIM.B	DIM.C	DIM.D
02	1.25	3.60	4.30	5.95
03	2.50	4.85	5.55	7.20
04	3.75	6.10	6.80	8.45
05	5.00	7.35	8.05	9.47
06	6.25	8.60	9.30	9.70
07	7.50	9.85	10.55	10.95
08	8.75	11.10	11.80	12.20
09	10.00	12.35	13.05	13.45
10	11.25	13.60	14.30	14.70
11	12.50	14.85	15.55	15.95
12	13.75	16.10	16.80	17.20
16	18.75	21.10	21.80	22.20

REV.	REVISION RECORD	DATE	GENERAL TOLERANCES		SCALE:	NAME	DATE	PART.NO:	DWG.NO:
A0	NEW RELEASE	21.01.13	LINEAR	ANGLES	1:1	Wang_jr	21.01.13	A125AHM-1XXX0	ENDE05
			0.0±0.35	X°REF±6°		DESIGNER	Han_Gao	21.01.13	
			0.00±0.25	X°±3°		DRAWN	LongCan_Liu	21.01.13	
			UNIT:mm			TITLE: Pitch 1.25mm 单排带扣Housing			
			SIZE: A4	0.000±0.10		X°X' ±2°			REV: A0 SHEET: 1/1



WanLian Teconology Co., Ltd