

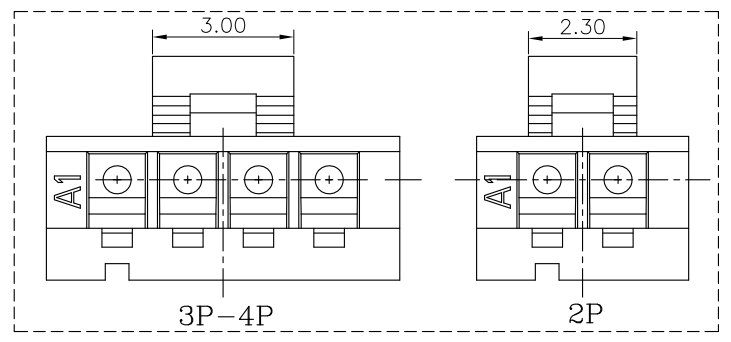
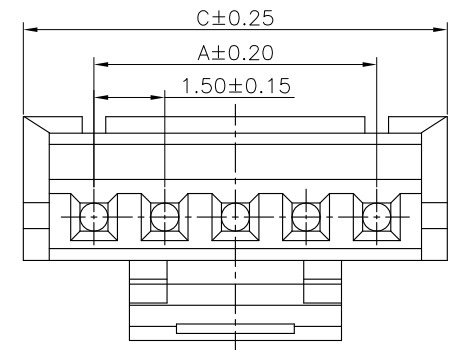
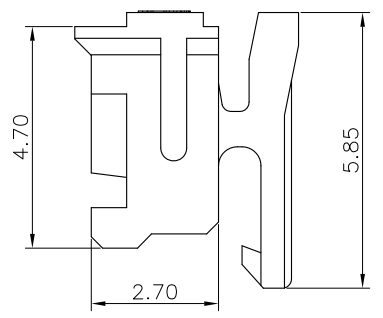
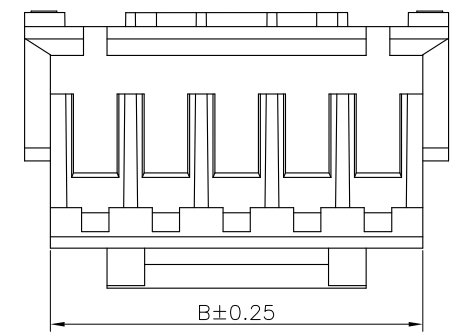
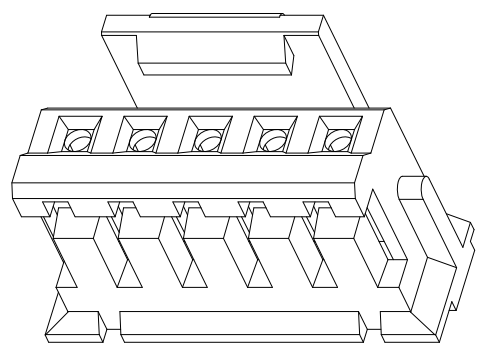
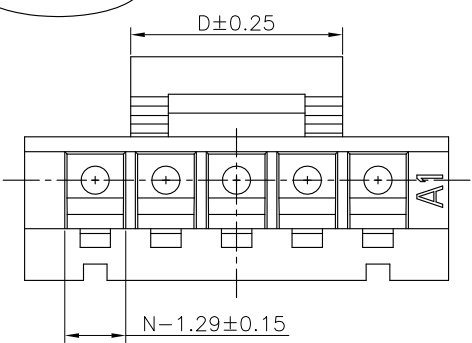
The product using material and processing must conform to the "WI-PZ-001" HSF technical standard control requirements

RoHS+HF

NOTE:  
 1.MATERIAL SPECIFICATION:  
 1-1.HOUSING: PA66,UL94V-0  
 2.MECHANICAL PERFORMANCE:  
 2-1.RETENTIVITY FORCE: 0.6KGF/PIN min  
 2-2.DURABILITY: 50 CYCLES.  
 3.ELECTRICAL PERFORMANCE:  
 3-1.CURRENT RATING: 1A  
 RATED VOLTAGE : 50V AC/DC  
 3-2.CONTACT RESISTANCE: 20 mΩ MAX  
 3-3.INSULATION RESISTANCE: 500MΩ Min  
 3-4.DIELECTRIC WITHSTANDING : 500V  
 4.ENVIRONMENTAL PERFORMANCE:  
 4-1.OPERATING TEMPERATURE: -25°C~+85°C.  
 5.PACKAGE SPEC: PE BAG  
 6.P/N:

A1501 H 1 M-1 XX X 0  
 SERIES NO: \_\_\_\_\_  
 CONNECTOR: \_\_\_\_\_  
 H-HOUSING  
 TYPE CODE: \_\_\_\_\_  
 MALE FEMALE: \_\_\_\_\_  
 M-MALE  
 COLOR:  
 A-BLACK  
 K-WHITE  
 PIN Q'PY:  
 02~16  
 ROW NO:  
 1-SINGLE ROW

Circuit	Dimensions(mm)				Circuit	Dimensions(mm)			
	A	B	C	D		A	B	C	D
02	1.50	3.40	4.50	2.30	10	13.50	15.40	16.50	6.00
03	3.00	4.90	6.00	3.00	11	15.00	16.90	18.00	
04	4.50	6.40	7.50	3.00	12	16.50	18.40	19.50	
05	6.00	7.90	9.00	4.50	13	18.00	19.90	21.00	
06	7.50	9.40	10.50	6.00	14	19.50	21.40	22.50	
07	9.00	10.90	12.00		15	21.00	22.90	24.00	
08	10.50	12.40	13.50		16	22.50	24.40	25.50	
09	12.00	13.90	15.00						



REV.	REVISION RECORD	DATE		GENERAL TOLERANCES		SCALE: 1:1	NAME	DATE	PART.NO: A1501H1M-1XXX0	DWG.NO: ENDE05	 WanLian Technology Co., Ltd
A0	NEW RELEASE	22.10.28		LINEAR	ANGLES	APPROVED	Wang_jr	22.10.28			
			UNIT:mm	0.00±0.25	X°±3°	CHECK	XueZe_Ma	22.10.28	TITLE: Pitch1.50 mm ZH单排带扣胶壳		REV: A0
			SIZE: A4	0.000±0.10	X°X'±2°	DRAWN	LanXuan_Hou	22.10.28			SHEET: 1/1