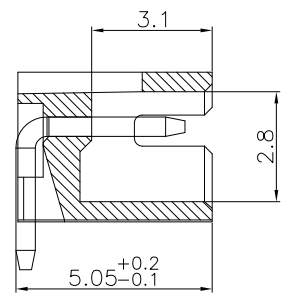
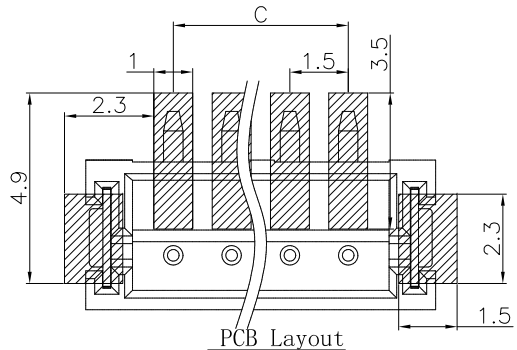
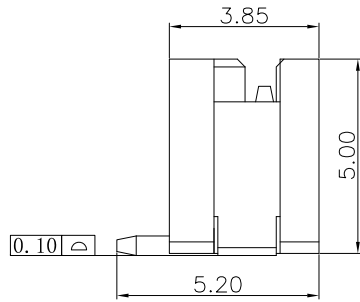
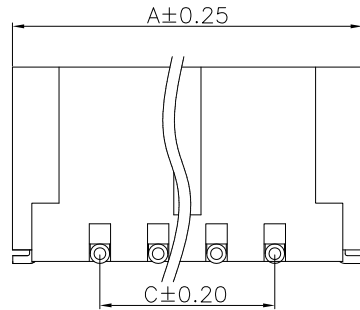
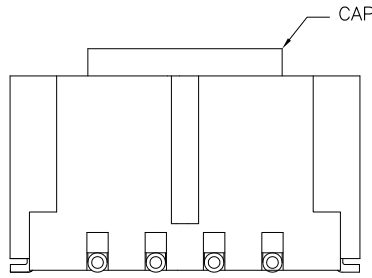
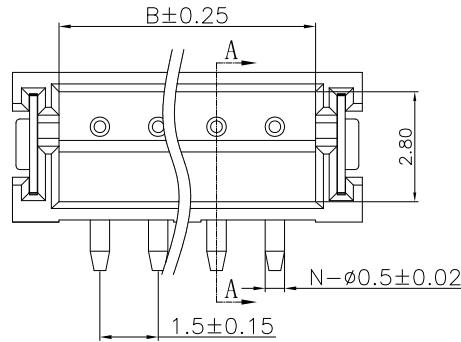
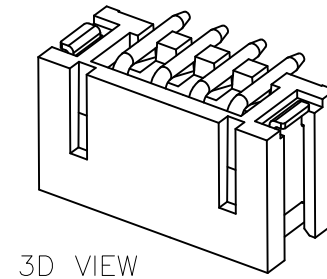


The product using material and processing must conform to the "WI-PZ-001"HSF technical standard control requirements

RoHS+HF

- NOTE:
- MATERIAL SPECIFICATION:
    - HOUSING: LCP
    - CONTACTS: BRASS
    - SOLDER TABS: BRASS
  - PLATING SPECIFICATION:
    - CONTACTS: SN PLATED OVER ALL.
    - SOLDER TABS: SN PLATED OVER ALL.
  - MECHANICAL PERFORMANCE:
    - RETENTIVITY FORCE: 0.7kgf/Pin Min
    - DURABILITY: 25 CYCLES.
  - ELECTRICAL PERFORMANCE:
    - CURRENT RATING: 1.0A
    - VOLTAGE RATING: 50V MAX
    - CONTACT RESISTANCE: 20mΩ Max.
    - INSULATION RESISTANCE: 500MΩ MIN
    - DIELECTRIC WITHSTANDING VOLTAGE: 500V AC Min
  - ENVIRONMENTAL PERFORMANCE:
    - OPERATING TEMPERATURE: -25°C~+85°C.
  - PACKAGE SPEC: REEL
  - P/N ORDER:



A1 A1501 W 0-1 XX 2 X X X

SERIES NO: \_\_\_\_\_

CONNECTOR: \_\_\_\_\_  
W-WAFER

ANGLE: \_\_\_\_\_  
0-180°

ROW NO: \_\_\_\_\_  
1-SINGLE ROW

PIN Q'PY: \_\_\_\_\_  
02~16

CAP: \_\_\_\_\_  
1-HAVE  
2-NO

COLOR: \_\_\_\_\_  
A-BLACK  
S-NATURE

PLATING: \_\_\_\_\_  
A-ALL AU G/F  
C-BRIGHT TIN

TERMPIONT: \_\_\_\_\_  
2-SMT

Ordering Information & Dimensions

Circuit	Dimensions(mm)			Circuit	Dimensions(mm)		
	A	B	C		A	B	C
02	6.00	3.60	---	10	18.00	15.60	13.50
03	7.50	5.10	3.00	11	19.50	17.10	15.00
04	9.00	6.60	4.50	12	21.00	18.60	16.50
05	10.50	8.10	6.00	13	22.50	20.10	18.00
06	12.00	9.60	7.50	14	24.00	21.60	19.50
07	13.50	11.10	9.00	15	25.50	23.10	21.00
08	15.00	12.60	10.50	16	27.00	24.60	22.50
09	16.50	14.10	12.00				

REV.	REVISION RECORD	DATE	UNIT:mm	GENERAL TOLERANCES		SCALE:	NAME	DATE	PART.NO:	DWG.NO:	TITLE:	REV: A1	SHEET: 1/2
A0	NEW RELEASE	21.01.13		LINEAR	ANGLES	1:1							
A1	PART NUMBER RENEWAL	23.09.19		0.00±0.25	X°±3°	DESIGNER	Han_Gao	23.09.19			Pitch1.50mm 180°ZH单排立贴 Wafer LCP		
			SIZE: A4	0.000±0.10	X°X'±2°	DRAWN	Zijun_Huang	23.09.19					

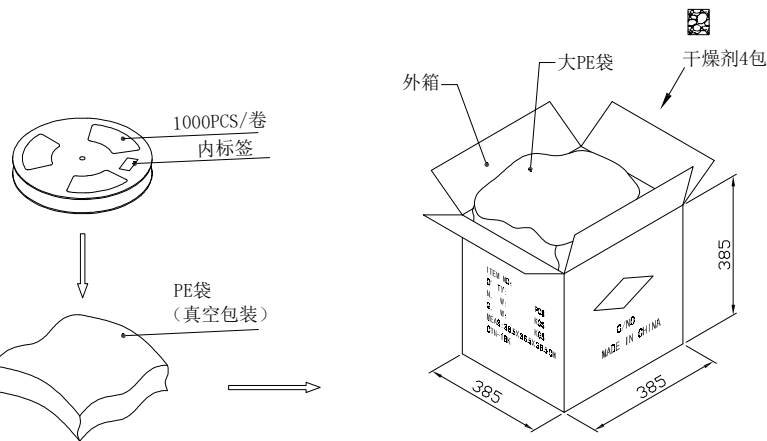
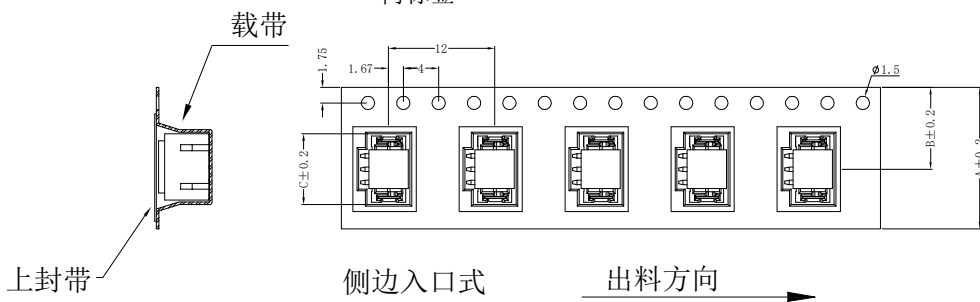
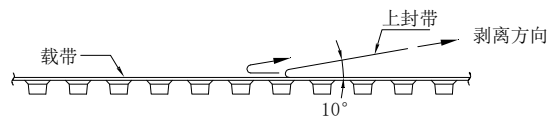
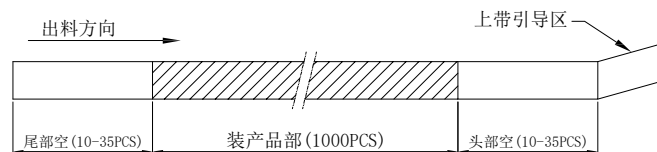
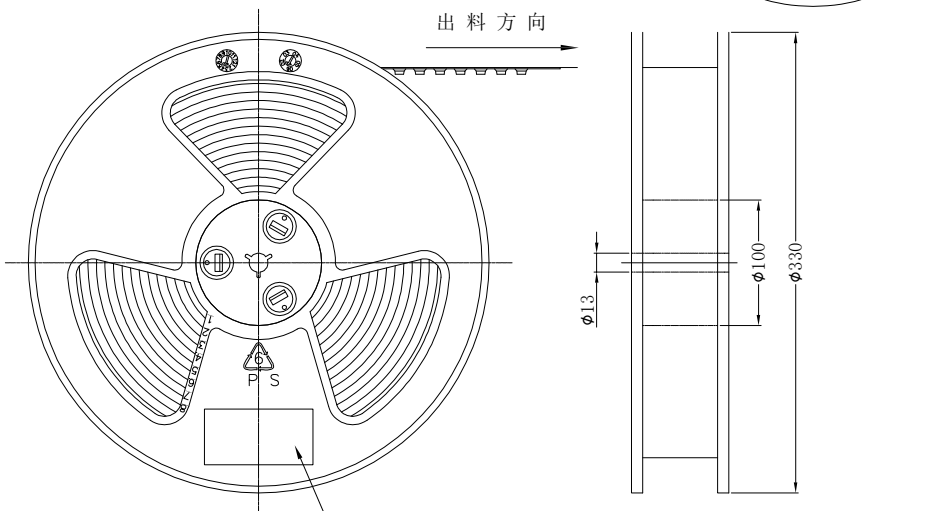


The product using material and processing must conform to the "WI-PZ-001" HSF technical standard control requirements

RoHS+HF

备注:

- 1、10个孔的累积公差为±0.2mm
- 2、载长250mm内允许弯曲度1.0mm
- 3、材质: PS;100%回收再利用
- 4、所以尺寸符合EIA-481-C要求
- 5、上封带剥离强度: 20g~130g (0.2N~1.3N)
- 6、13英寸的卷盘每卷可装载1000PCS



Circuit	Dimensions (mm)			Circuit	Dimensions (mm)		
	A	B	C		A	B	C
2	16	7.5	6.6	10	32	14.2	18.6
3	16	7.5	8.1	11	32	14.2	20.1
4	24	11.5	9.6	12	32	14.2	21.6
5	24	11.5	11.1	13	44	20.2	23.1
6	24	11.5	12.6	14	44	20.2	24.6
7	24	11.5	14.1	15	44	20.2	26.1
8	24	11.5	15.6	16	44	20.2	
9	32	14.2	17.1				

REV.	REVISION RECORD	DATE	UNIT:mm	GENERAL TOLERANCES		SCALE:	NAME	DATE	PART.NO:	DWG.NO:	 WanLian Technology Co., Ltd
A0	NEW RELEASE	21.01.13		LINEAR	ANGLES	1:1	Wang_jr	23.09.19	A1501W0-1XX2XXX	ENDE05	
A1	PART NUMBER RENEWAL	23.09.19	0.00±0.25	X°REF±6°	APPROVED	Han_Gao	23.09.19	TITLE:	package drawing	REV: A1	SHEET: 2/2
			SIZE: A4	0.000±0.10	X°X° ±2°	DESIGNER	Zijun_Huang	23.09.19			