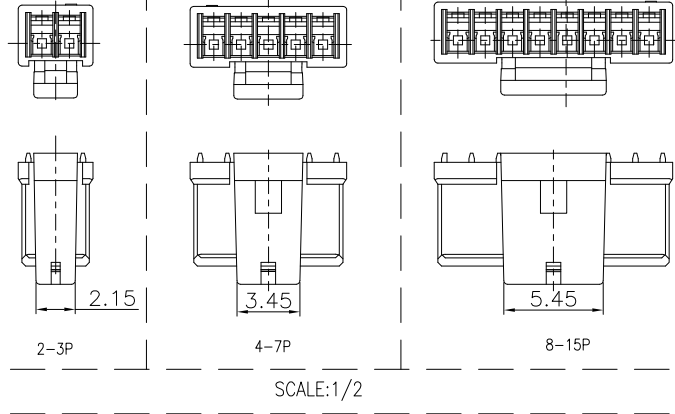
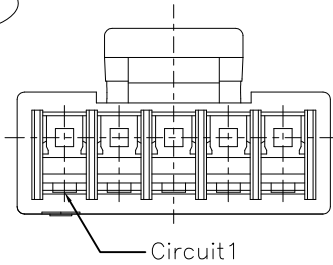
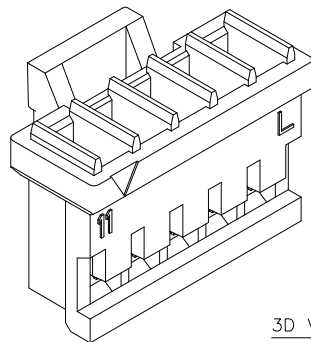
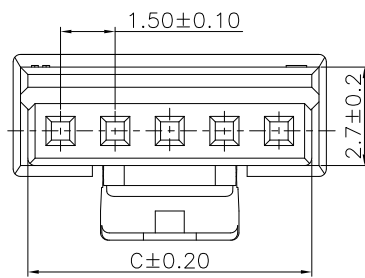
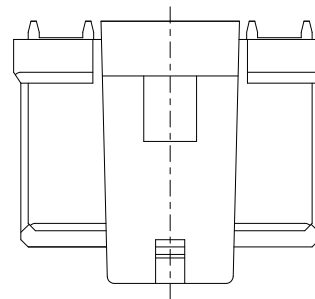
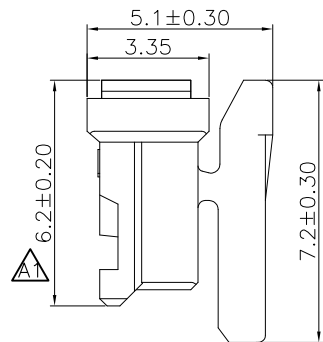
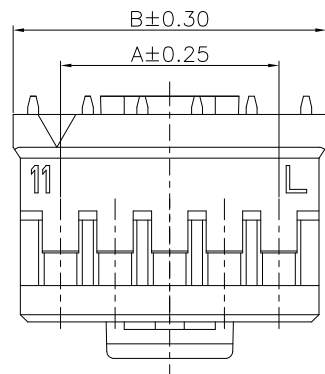


The product using material and processing must conform to the "WI-PZ-001"HSF technical standard control requirements

RoHS+HF



SCALE:1/2



3D VIEW

NOTE:

- 1.MATERIAL SPECIFICATION:
1-1.HOUSING: PA66,UL94V-0
- 2.ELECTRICAL PERFORMANCE:
2-1.INSULATION RESISTANCE: 1000MΩ Min
2-2.DIELECTRIC WITHSTANDING : 500V
- 3.ENVIRONMENTAL PERFORMANCE:
3-1.OPERATING TEMPERATURE: -25°C~+85°C.
- 4.PACKAGE SPEC: PE BAG
- 5.P/N:

SERIES NO: A15021 H M-1 XX X 1
 COLOR:
 A-BLACK
 S-NATURE
 CONNECTOR:
 H-HOUSING
 MALE FEMALE:
 M-MALE
 PIN Q'PY:
 02~15
 ROW NO:
 1-SINGLE ROW

Circuit	Dimensions(mm)			Circuit	Dimensions(mm)		
	A	B	C		A	B	C
02	1.50	4.10	3.30	09	12.00	14.60	13.80
03	3.00	5.60	4.80	10	13.50	16.10	15.30
04	4.50	7.10	6.30	11	15.00	17.60	16.80
05	6.00	8.60	7.80	12	16.50	19.10	18.30
06	7.50	10.10	9.30	13	18.00	20.60	19.80
07	9.00	11.60	10.80	14	19.50	22.10	21.30
08	10.50	13.10	12.30	15	21.00	23.60	22.80

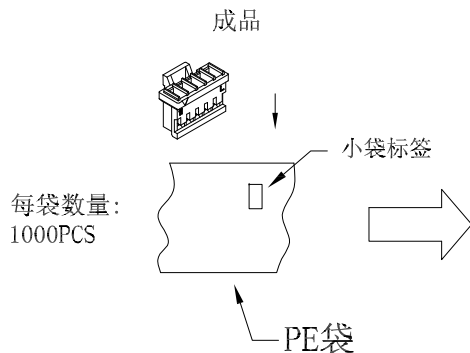
REV.	REVISION RECORD	DATE	GENERAL TOLERANCES		SCALE:	NAME	DATE	PART.NO:	DWG.NO:
A0	NEW RELEASE	22.07.07	 LINEAR 0.0±0.35	 ANGLES X'REF±6°	1:1	Wang_jr	22.07.07	A15021HM-1XXX1	ENDE05
A1	MODIFY THE DRAWING ACCORDING TO THE ACTUAL OBJECT	24.04.02			 UNIT:mm 0.00±0.25	 X'±3°	APPROVED	Han_Gao	22.07.07
			 SIZE: A4 0.000±0.10	 X'X' ±2°	DESIGNER	LanXuan_Hou	22.07.07	REV: A1	SHEET: 1/2



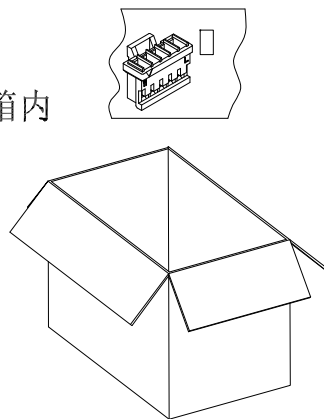
The product using material and processing must conform to the "WI-PZ-001"HSF technical standard control requirements

RoHS+HF

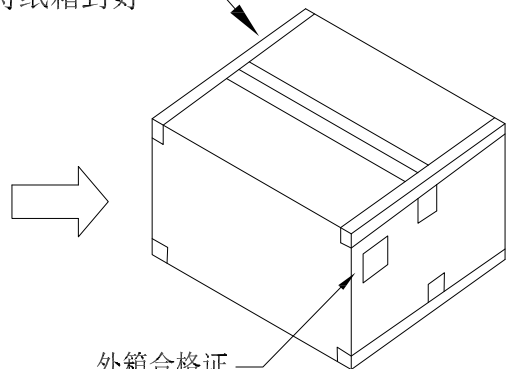
把产品装进PE袋中



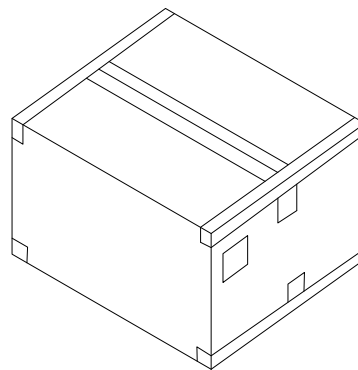
将袋装放入纸箱内



用透明胶带
将纸箱封好



外箱合格证
RoHS标签



包装说明:

1. 把成品装进PE袋中, 每袋装1000PCS, 每袋放一包干燥剂, 将装好产品的PE袋用热封机封好 盖上检验员及日期章, 印章字体要求清晰可见.
2. 再将小包装放入外箱中, 整箱包装数量按实际订单情况而定
3. 所有材料有害物质控制需符合RoHS标准.

REV.	REVISION RECORD	DATE		GENERAL TOLERANCES		SCALE: 1:1	NAME	DATE	PART.NO:	DWG.NO:	 WanLian Technology Co., Ltd	
A0	NEW RELEASE	22.07.07		LINEAR	ANGLES	APPROVED	Wang_jr	22.07.07	A15021HM-1XXX1	ENDE05		
A1	MODIFY THE DRAWING ACCORDING TO THE ACTUAL OBJECT	24.04.02	UNIT:mm	0.00 ± 0.25	$X^{\circ}\pm 3^{\circ}$	DESIGNER	Han_Gao	22.07.07	TITLE:		REV: A1	SHEET: 2/2
			SIZE: A4	0.000 ± 0.10	$X^{\circ}X^{\circ}\pm 2^{\circ}$	DRAWN	LanXuan_Hou	22.07.07	Pitch 1.50mm 180° 单排带扣HOUSING			