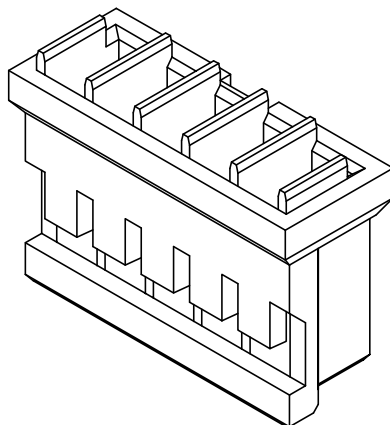
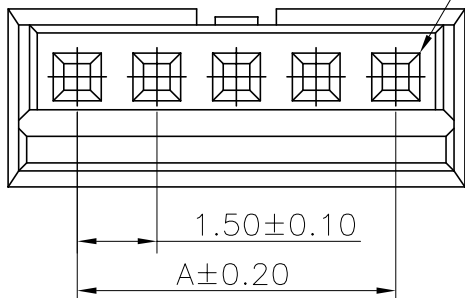


The product using material and processing must conform to the "WI-PZ-142"HSF technical standard control requirements

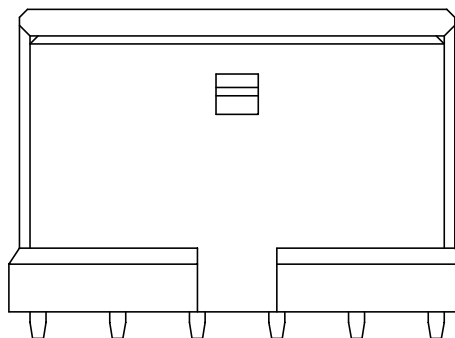
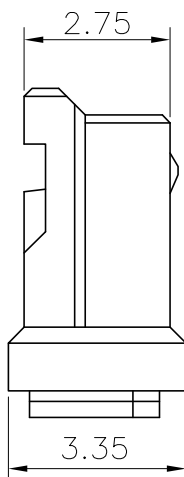
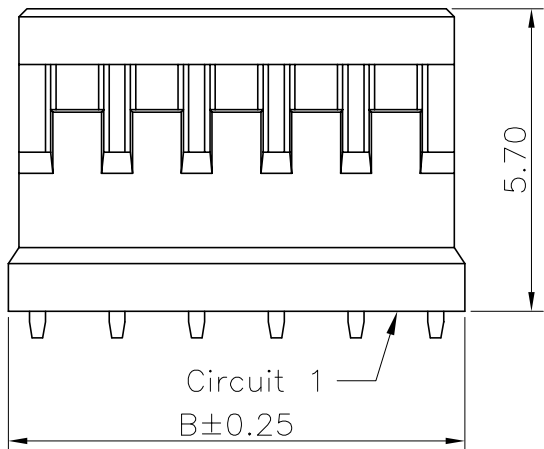
RoHS+HF

Circuit1



NOTE:
 1.MATERIAL SPECIFICATION:
 1-1.HOUSING:PA66, 94V-0
 2.ELECTRICAL PERFORMANCE:
 2-1.INSULATION RESISTANCE: 1000MΩ MIN
 2-2.WITHSTANDING VOLTAGE: 500V AC/minute
 3.ENVIRONMENTAL PERFORMANCE:
 OPERATING TEMPERATURE: -25°C~+85°C.
 4.PACKAGE SPEC: PE BAG

SERIES NO: A1502 H M-1 XX X 0
 COLOR:
 A-BLACK
 S-NATURE
 CONNECTOR:
 H-HOUSING
 MALE FEMALE:
 M-MALE
 PIN Q' PY:
 02~15
 ROW NO:
 1-SINGLE ROW



Circuit	Dimensions(mm)	
	A	B
02	1.50	4.10
03	3.00	5.60
04	4.50	7.10
05	6.00	8.60
06	7.50	10.10
07	9.00	11.60
08	10.50	13.10
09	12.00	14.60
10	13.50	16.10
11	15.00	17.60
12	16.50	19.10
13	18.00	20.60
14	19.50	22.10
15	21.00	23.60

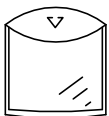
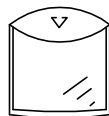
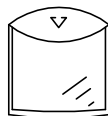
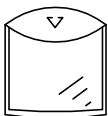
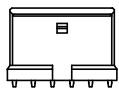
REV.	REVISION RECORD	DATE	GENERAL TOLERANCES		SCALE:	NAME	DATE	PART.NO:	DWG.NO:
A0	NEW RELEASE	21.01.13	LINEAR	ANGLES	1:1	Wang_jr	21.01.13	A1502HM-1XXX0	ENDE05
			0.0±0.35	X'REF±6'	APPROVED	Ding_bo	21.01.13	TITLE:	
			0.00±0.25	X'±3'	DESIGNER	Ou_jian	21.01.13	1.50mm PITCH HOUSING	
			UNIT:mm		DRAWN				
			SIZE: A4	0.000±0.10					

 万连科技
 WanLian Technology Co., Ltd

REV: A0 SHEET: 1/2

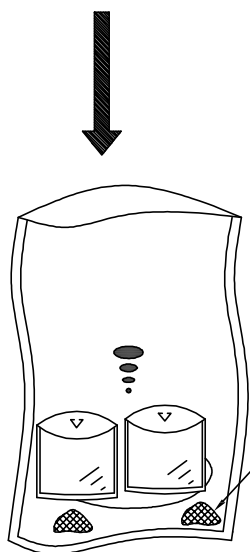
The product using material and processing must conform to the "WI-PZ-142"HSF technical standard control requirements

RoHS+HF



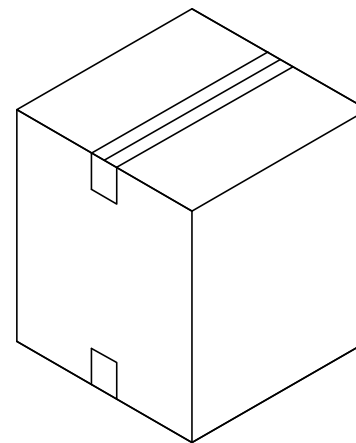
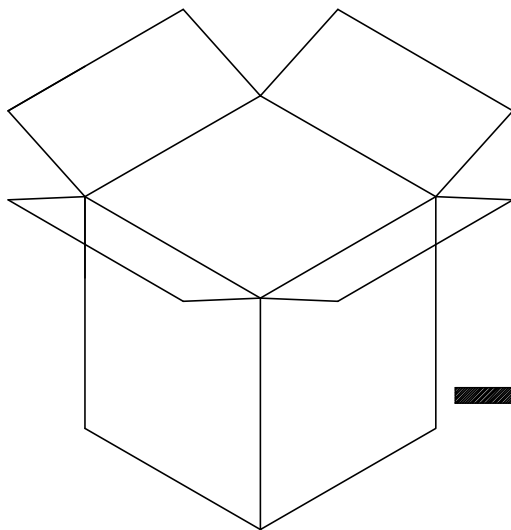
1. 纸箱装箱以不超过装箱线为准, 空余位置用塑料泡沫及保尼龙填充;
2. 因生产Pin位未齐全, 每袋与整箱包装数量仅供参考, 具体包装数量以实际出货为准, 或批量出货更新后为准:

PIN 位	包装数量 (KPCS)
(02~06P)	2000PCS/BAG
(07~15P)	1000PCS/BAG



PE 防水袋

干燥剂



REV.	REVISION RECORD	DATE		GENERAL TOLERANCES		SCALE: 1:1	NAME	DATE	PART.NO:	DWG.NO:	
A0	NEW RELEASE	21.01.13		LINEAR 0.0±0.35 UNIT:mm SIZE: A4	ANGLES X°REF±6' X'±3' X'X' ±2'	APPROVED	Wang_jr	21.01.13	A1502HM-1XXX0	ENDE05	
					DESIGNER	Ding_bo	21.01.13	TITLE: 1.50mm PITCH HOUSING			
					DRAWN	Ou_jian	21.01.13				