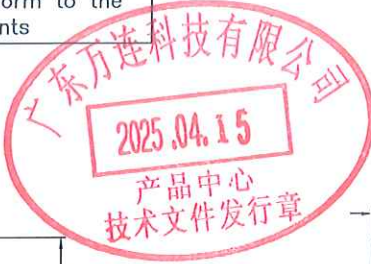
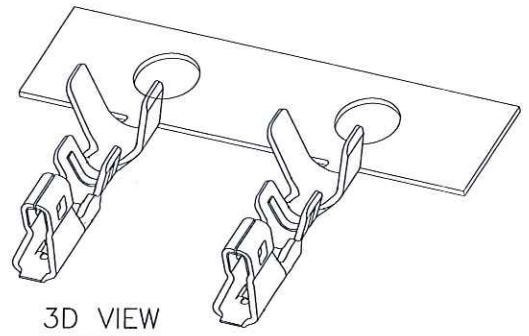
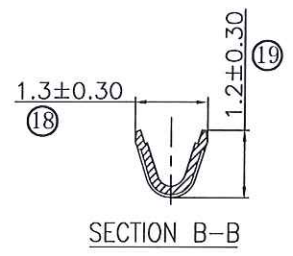
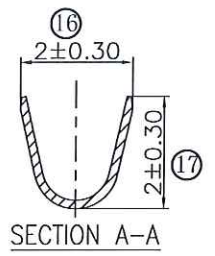
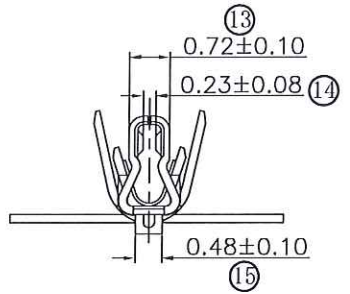
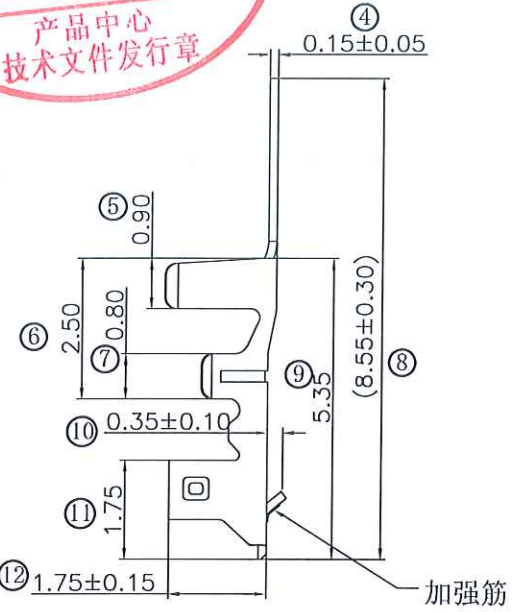
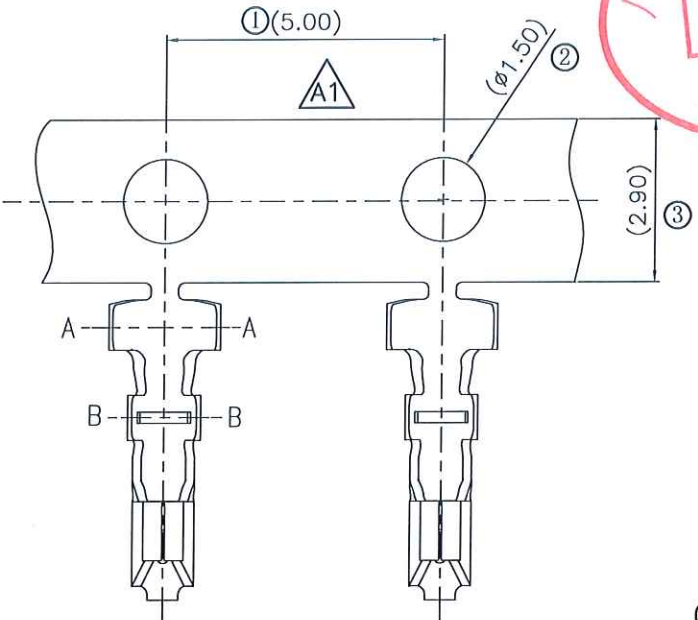


The product using material and processing must conform to the "WI-PZ-001"HSF technical standard control requirements



NOTE:  
 1.MATERIAL SPECIFICATION:  
 1-1.T-TERMINAL: PHOSPHOR BRONZE  
 2.PLATING SPECIFICATION:  
 2-1.T-TERMINAL:  
 TIN/GOLD FLASH PLATED OVER ALL.  
 3.ELECTRICAL PERFORMANCE:  
 3-1.CURRENT RATING: 3A AC/DC  
 3-2.CONTACT RESISTANCE: 20 mΩ MAX  
 3-3.INSULATION RESISTANCE: 1000MΩ Min  
 3-4.DIELECTRIC WITHSTANDING : 500V  
 4.ENVIRONMENTAL PERFORMANCE:  
 4-1.OPERATING TEMPERATURE: -25°C~+85°C.  
 5.PACKAGE SPEC : REEL  
 6.P/N:

A1502 T 1 F X-X  
 SERIES NO:  
 CONNECTOR:  
 T-TERMINAL  
 TYPE CODE  
 MALE FEMALE:  
 F-FEMALE  
 PLATING:  
 1-G/F  
 A-ALL AU G/F  
 C-BRIGHT TIN  
 D-MATTE TIN  
 METAL:  
 P-PHOSPHOR BRONZE  
 B-BRASS



Wire Range	Insulation O.D
AWG #24~#26	0.95~1.20mm

REV.	REVISION RECORD	DATE		GENERAL TOLERANCES		SCALE: 1:1	NAME	DATE	PART.NO: A1502T1FX-X	DWG.NO: ENDE05	 WanLian Technology Co., Ltd
A0	NEW RELEASE	22.07.07		LINEAR	ANGLES	APPROVED	2025.4.15				
A1	MATERIAL BELT STRUCTURE UPDATE		UNIT:mm	0.00±0.25	X'±3'	DESIGNER	2025.4.15		TITLE: Pitch 1.50mm 180° 端子 AWG#24-#26		REV: A1
			SIZE: A4	0.000±0.10	X'X' ±2'	DRAWN	2025.4.15				SHEET: 1/2

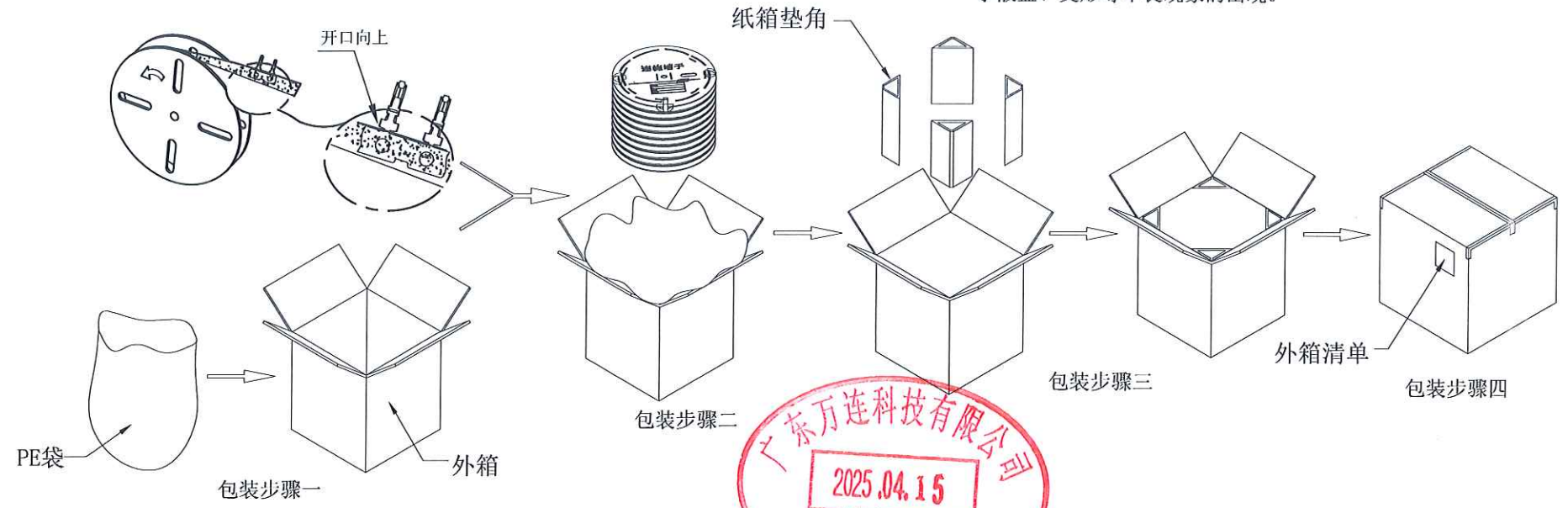
The product using material and processing must conform to the "WI-PZ-001"HSF technical standard control requirements



包装说明:

1. 将PE袋放进外箱中。
  2. 将一定数量的倒盘后的端子放入外箱里面的PE袋中, 端子装箱时应摆放整齐, 轻拿轻放, 装箱后的端子总体高度应与外箱开口齐平。
  3. 在外箱四角分别放入四个纸箱垫角。
  4. 用封箱胶带将外箱的开口按“口”字型进行封合, 其下垂长度应不少于5cm。
  5. 所有材料有害物控制需符合RoHS标准。
- 注: 当需要装箱的端子盘数的不足以放满整个外箱时, 根据装箱端子盘数对外箱裁剪, 使装箱后的端子总体高度与外箱开口齐平或放入一些填充物填平外箱里面多余空间, 以防止因外箱里面空间太大而受到外界受力造成端子散盘、变形等不良现象的出现。

15K/盘	500X500X265mm	195K/箱
数量/盘	纸箱规格	数量/箱



REV.	REVISION RECORD	DATE	GENERAL TOLERANCES		SCALE: 1:1	NAME	DATE	PART.NO:	DWG.NO:	 WanLian Technology Co., Ltd	
A0	NEW RELEASE	22.07.07	LINEAR	ANGLES	APPROVED	8/8/16	25.4.15	A1502T1FX-X	ENDE05		
A1	MATERIAL BELT STRUCTURE UPDATE		0.0±0.35	X'REF±6°	DESIGNER	丁	2025.04.15	TITLE:			
			UNIT:mm	0.00±0.25	X'±3'	DRAWN	黄智群	25.04.15	Pitch 1.50mm 180°端子 AWG#24-#26		REV: A1