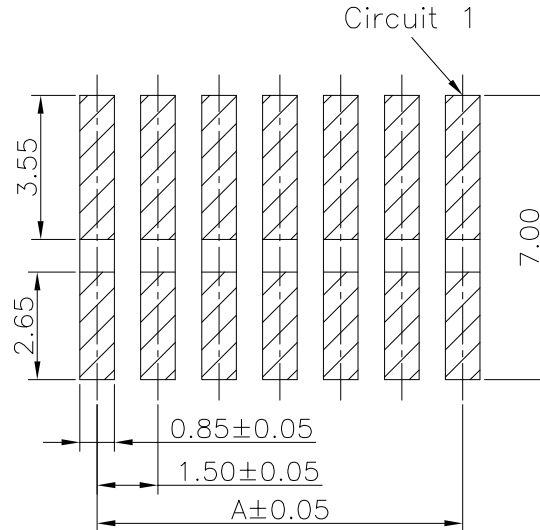
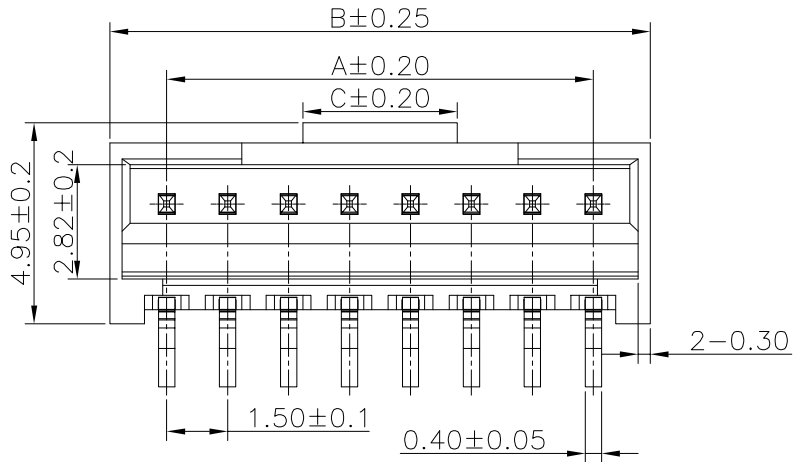


The product using material and processing must conform to the "WI-PZ-001"HSF technical standard control requirements

RoHS+HF

NOTE:

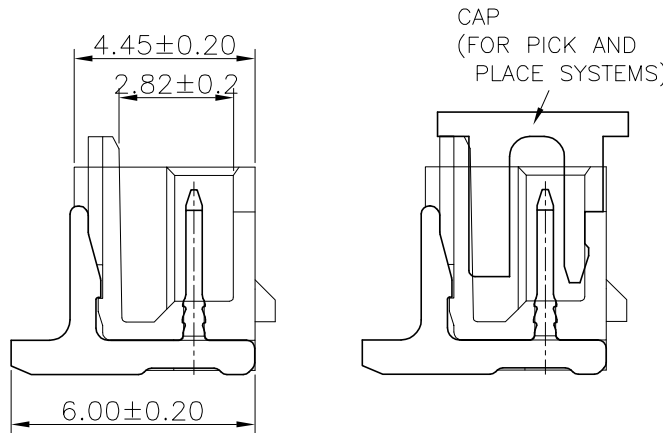
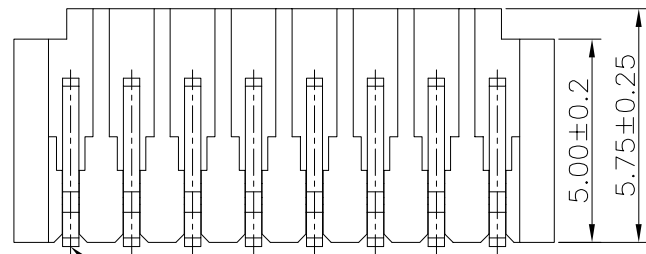
- 1.MATERIAL SPECIFICATION:
  - 1-1.HOUSING: LCP,UL94V-0
  - 1-2.CONTACTS: BRASS
- 2.PLATING SPECIFICATION:
  - 2-1.CONTACTS: TIN/GOLD FLASH PLATED OVER ALL.
- 3.MECHANICAL PERFORMANCE:
  - 3-1.RETENTIVITY FORCE: 1.0kgf/pin min
  - 3-2.DURABILITY: 50 CYCLES.
- 4.ELECTRICAL PERFORMANCE:
  - 4-1.CURRENT RATING: 3A  
RATED VOLTAGE : 350V AC/DC
  - 4-2.CONTACT RESISTANCE: 20 mΩ MAX
  - 4-3.INSULATION RESISTANCE: 1000MΩ Min
  - 4-4.DIELECTRIC WITHSTANDING : 500V
- 5.ENVIRONMENTAL PERFORMANCE:
  - 5-1.OPERATING TEMPERATURE: -25°C~+85°C.
- 6.PACKAGE SPEC: REEL
- 7.P/N:



PCB LAYOUT

$\triangle A1$   
 SERIES NO: A1502 W 0 1-1 XX 2 X X 0  
 CONNECTOR: W-WAFER  
 ANGLE: 0-180°  
 TYPE: 1-TYPE 1  
 ROW NO: 1-SINGLE ROW  
 COLOR: A-BLACK S-NATURE  
 PLATING: A-ALL AU G/F C-BRIGHE TIN D-MATTE Tin  
 TERMPIENT: 2-SMT  
 PIN Q'PY: 02~08

Circuit	Dimensions(mm)		
	A	B	C
02P	1.50	4.30	0.80
03P	3.00	5.80	0.80
04P	4.50	7.30	1.80
05P	6.00	8.80	1.80
06P	7.50	10.30	1.80
07P	9.00	11.80	1.80
08P	10.50	13.30	3.80



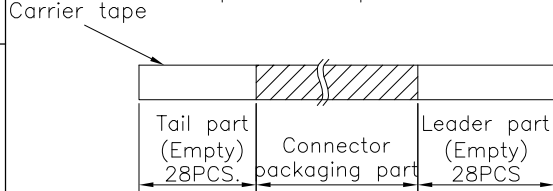
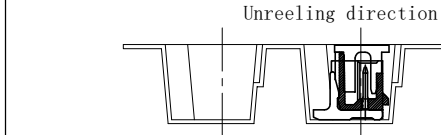
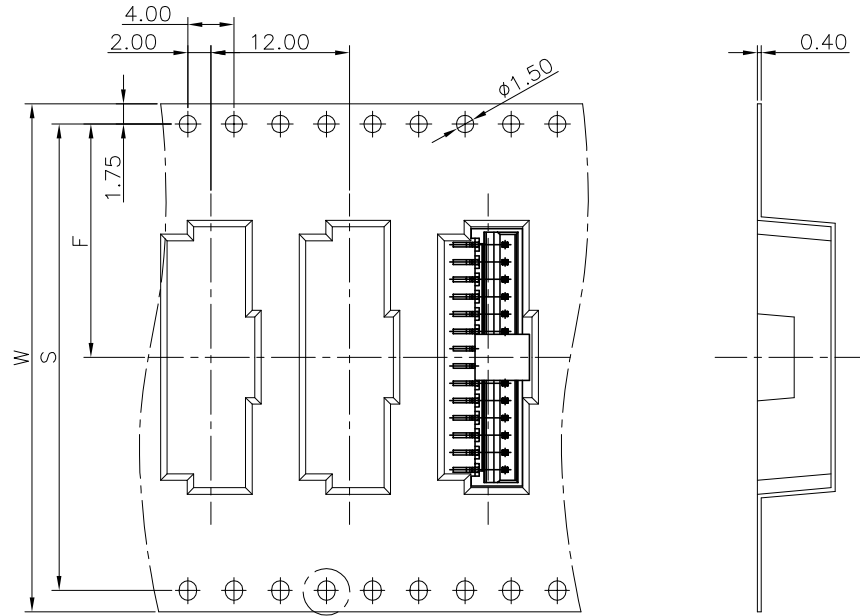
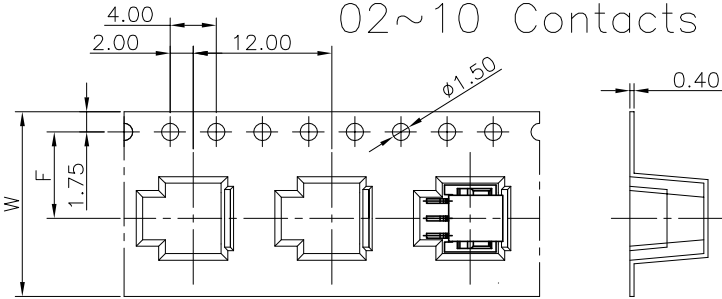
REV.	REVISION RECORD	DATE	GENERAL TOLERANCES		SCALE:	NAME	DATE	PART.NO:	DWG.NO:
A0	NEW RELEASE	21.10.12	LINEAR	ANGLES	1:1	Wang_jr	23.09.20	A1502W01-1XX2XX0	ENDE05
A1	PART NUMBER RENEWAL	23.09.20	0.0±0.35	X'REF±6°	APPROVED	Han_Gao	23.09.20	TITLE: Pitch 1.50mm 180° 单排立贴带扣	 WanLian Technology Co., Ltd
			0.00±0.25	X'±3°	DESIGNER	Zijun_Huang	23.09.20		
			0.000±0.10	X'X' ±2°	DRAWN				
			UNIT: mm						REV: A1
			SIZE: A4						SHEET: 1/2

The product using material and processing must conform to the "WI-PZ-001"HSF technical standard control requirements

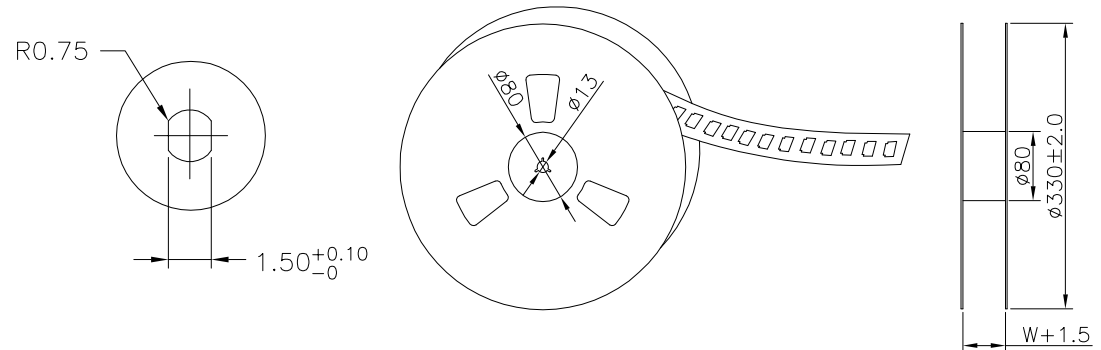
RoHS+HF

11~15 Contacts

02~10 Contacts



Circuit	W±0.3	F±0.1	S±0.1	Q'ty/Reel
02P	16	7.50		1000
03P	16	7.50		1000
04P	16	7.50		1000
05P	24	11.50		1000
06P	24	11.50		1000
07P	24	11.50		1000
08P	24	11.50		1000
09P	24	11.50		1000
10P	24	11.50		1000
11P	24	14.20	28.40	1000
12P	32	14.20	28.40	1000
13P	32	14.20	28.40	1000
14P	44	20.20	40.40	1000
15P	44	20.20	40.40	1000



REV.	REVISION RECORD	DATE		GENERAL TOLERANCES		SCALE:	NAME	DATE	PART.NO:	DWG.NO:
A0	NEW RELEASE	21.10.12			LINEAR	ANGLES	1:1			A1502W01-1XX2XX0
A1	PART NUMBER RENEWAL	23.09.20		0.0±0.35	X'REF±6°		APPROVED	Wang_jr	23.09.20	
			UNIT: mm	0.00±0.25	X'±3°		DESIGNER	Han_Gao	23.09.20	TITLE:
			SIZE: A4	0.000±0.10	X'X' ±2°		DRAWN	Zijun_Huang	23.09.20	Pitch 1.50mm 180° 单排立贴带扣/不带扣 包装规范


WanLian Technology Co., Ltd

REV: A1 SHEET: 2/2