

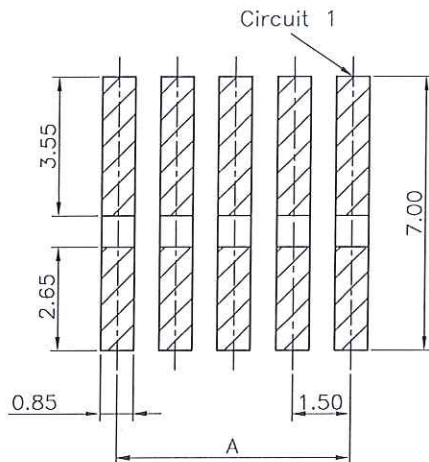
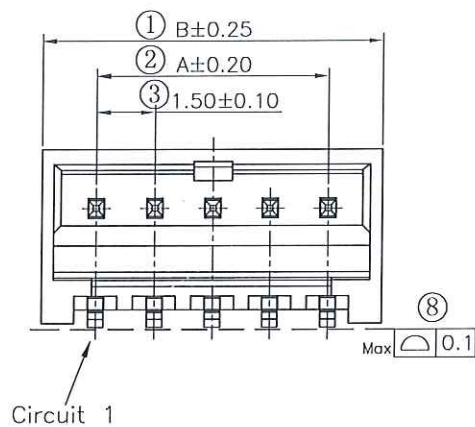
The product using material and processing must conform to the "WI-PZ-142"HSF technical standard requirements

RoHS+HF

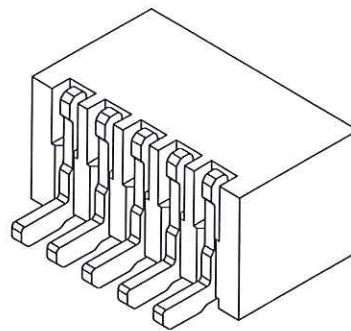
NOTE:  
 1.MATERIAL SPECIFICATION:  
 1-1.HOUSING:LCP NATURE UL94V-0  
 1-2.CONTACTS:BRASS  
 2.PLATING SPECIFICATION:  
 2-1.CONTACTS:  
 TIN/AU PLATED OVER ALL.  
 4.ELECTRICAL PERFORMANCE:  
 4-1.RATED CURRENT : 3A AC,DC  
 4-2.INSULATION RESISTANCE: 1000MΩ MIN  
 4-3.CONTACT RESISTANCE : 20mΩ(MAX.)  
 4-4.WITHSTANDING VOLTAGE: 500V AC/minute  
 5.ENVIRONMENTAL PERFORMANCE:  
 OPERATING TEMPERATURE: -25°C~+85°C.  
 6.PACKAGE SPEC: REEL

△A1  
 SERIES NO: A1502 W 9-1 XX 2 X X 0  
 CONNECTOR: W-WAFER  
 ANGLE: 9-90°  
 ROW NO: 1-SINGLE ROW  
 PIN Q'PY: 02~15  
 COLOR:  
 A-BLACK  
 S-NATURE  
 PLATING:  
 A-ALL AU G/F  
 C-BRIGHT TIN  
 D-MATTE Tin  
 TERMIPOINT:  
 2-SMT

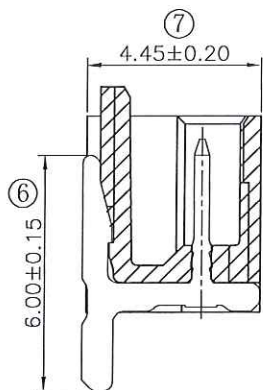
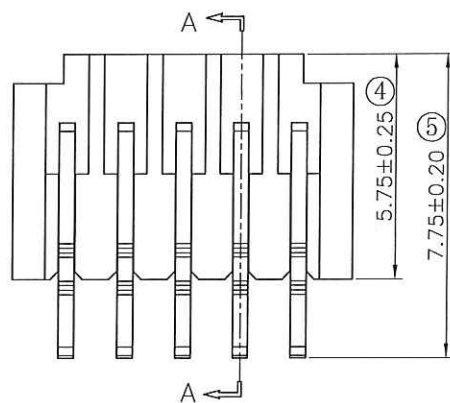
Circuit	Dimensions(mm)		Circuit	Dimensions(mm)	
	A	B		A	B
02	1.50	4.30	09	12.00	14.80
03	3.00	5.80	10	13.50	16.30
04	4.50	7.30	11	15.00	17.80
05	6.00	8.80	12	16.50	19.30
06	7.50	10.30	13	18.00	20.80
07	9.00	11.80	14	19.50	22.30
08	10.50	13.30	15	21.00	23.80



RECOMMENDED PCB LAYOUT  
 (GENERAL TOLERANCE:±0.05)



3D VIEW

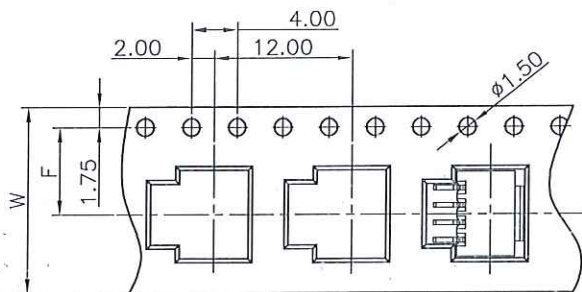


REV.	REVISION RECORD	DATE	GENERAL TOLERANCES		SCALE:	NAME	DATE	PART.NO:	DWG.NO:
A0	NEW RELEASE	21.01.13	 LINEAR 0.0±0.35 0.00±0.25 0.00±0.10	 ANGLES X'REF±6° X'±3° X'X' ±2°	1:1	梁林积	2024.6.25	A1502W9-1XX2XX0	ENDE05
A1	PART NUMBER RENEWAL				UNIT:mm	SIZE: A4	APPROVED	梁林积	2024.6.25
					DRAWN	肖雨曦	2024.6.25		SHEET: 1/2

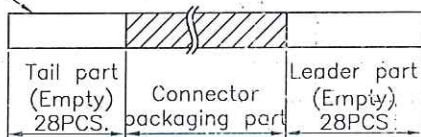
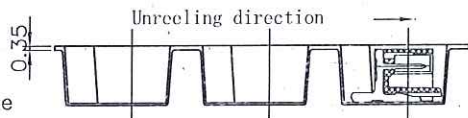


The product using material and processing must conform to the "WI-PZ-142"HSF technical standard control requirements

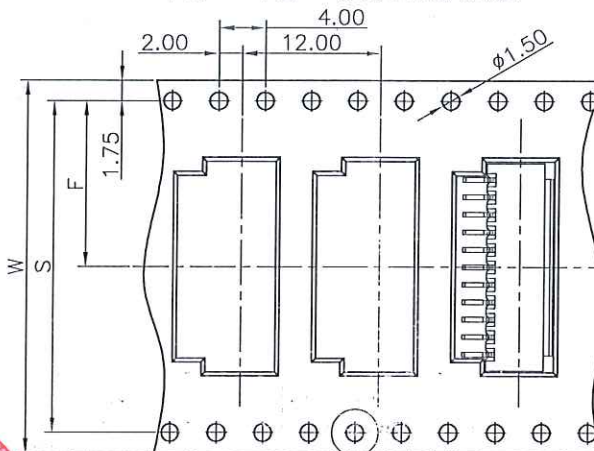
### 2~10 Contacts



Carrier tape



### 10~15 Contacts

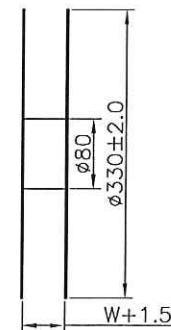
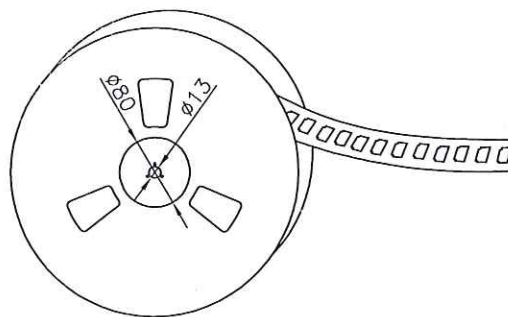
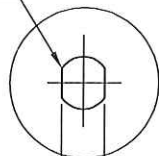


Unreeling direction

RoHS+HF



R0.85



Circuit	W±0.3	F±0.1	S±0.1	Q'ty/Reel
02P	12	5.50		1,000
03P	16	7.50		1,000
04P	24	11.50		1,000
05P	24	11.50		1,000
06P	24	11.50		1,000
07P	24	11.50		1,000
08P	24	11.50		1,000
09P	24	11.50		1,000
10P	24	11.50		1,000
11P	32	14.20		28.40
12P	32	14.20	28.40	1,000
13P	32	14.20	28.40	1,000
14P	44	20.20	40.40	1,000
15P	44	20.20	40.40	1,000

REV.	REVISION RECORD	DATE	GENERAL TOLERANCES	SCALE: 1:1	NAME	DATE	PART.NO:	DWG.NO:	 WanLian Technology Co., Ltd
A0	NEW RELEASE	21.01.13	LINEAR	APPROVED	<i>[Signature]</i>	2024.6.25	A1502W9-1XX2XX0	ENDE05	
A1	PART NUMBER RENEWAL		0.0±0.35	DESIGNER	梁林权	2024.6.25	TITLE:	包壳规格	
			0.00±0.25	DRAWN	肖雨曦	2024.6.25			
			0.000±0.10						REV: A1
			X'REF±6°						SHEET: 2/2
			X'±3°						
			X'X'±2°						