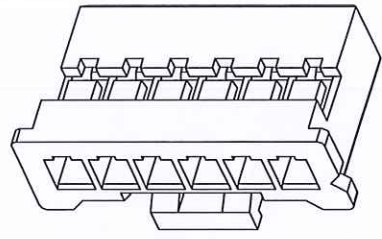
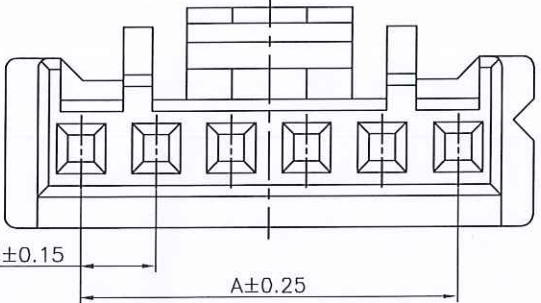
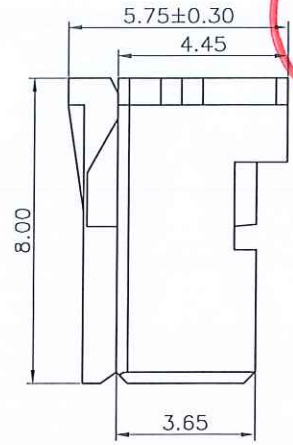
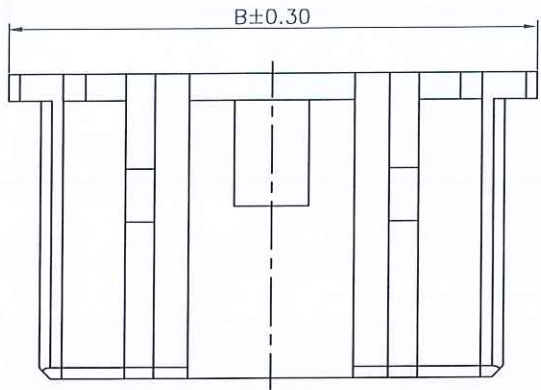


The product using material and processing must conform to the "WI-PZ-001"HSF technical standard control requirements

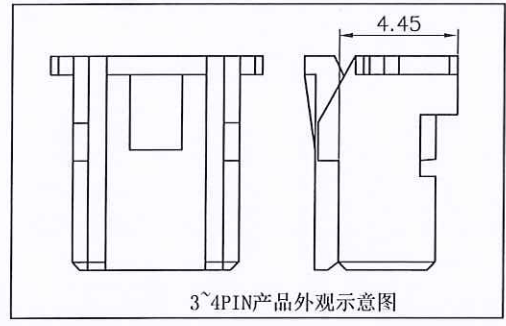
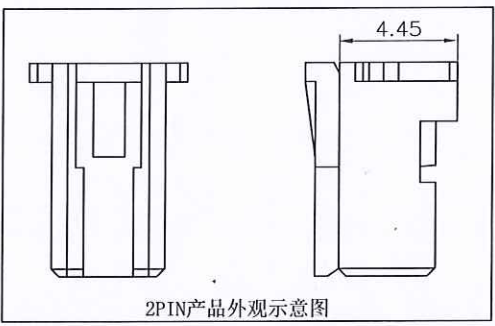


NOTE:
 1. MATERIAL SPECIFICATION:
 1-1. HOUSING: PA66, UL94V-0
 2. ELECTRICAL PERFORMANCE:
 2-1. RATED CURRENT : 3A AC,DC
 2-2. INSULATION RESISTANCE: 1000MΩ MIN
 2-3. CONTACT RESISTANCE : 20MΩ(MAX.)
 2-4. WITHSTANDING VOLTAGE: 800V AC
 3. ENVIRONMENTAL PERFORMANCE:
 OPERATING TEMPERATURE: -25°C~+85°C.
 4. PACKAGE SPEC: PE BAG
 5. P/N:

A2002 H M-1 XX X X
 SERIES NO: _____
 CONNECTOR: _____
 H-HOUSING
 MALE FEMALE: _____
 M-MALE
 ROW NO: _____
 1-SINGLE ROW
 HOUSING:
 1-PA66 RoHS
 (高温料 米黄色)
 2-PA66 RoHS+HF
 COLOR:
 A-BLACK
 S-NATURE
 M-BEIGE
 PIN Q'PY:
 02~16

Ordering Information&Dimensions

Circuit	Dimensions(mm)		Circuit	Dimensions(mm)	
	A	B		A	B
02	---	6.00	10	18.00	22.00
03	4.00	8.00	11	20.00	24.00
04	6.00	10.00	12	22.00	26.00
05	8.00	12.00	13	24.00	28.00
06	10.00	14.00	14	26.00	30.00
07	12.00	16.00	15	28.00	32.00
08	14.00	18.00	16	30.00	34.00
09	16.00	20.00			



REV.	REVISION RECORD	DATE	UNIT: mm SIZE: A4	GENERAL TOLERANCES		SCALE: 1:1	NAME	DATE	PART.NO:	DWG.NO:	WanLian Technology Co., Ltd
A0	NEW RELEASE	21.01.13			LINEAR	ANGLES	APPROVED			A2002HM-1XXXX	
A1	依实物变更图纸	23.09.28		0.0±0.35	X'REF±6'	DESIGNER	梁林根	23.09.28			REV: A2
				0.00±0.25	X'±3'	DRAWN	黄碧娟	23.09.28	TITLE: PITCH2.00mm 180°PA SINGLE ROW HOUSING		SHEET: 1/1
				0.000±0.10	X'X'±2'						