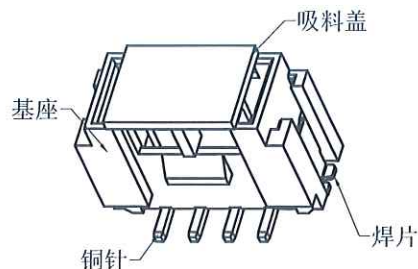
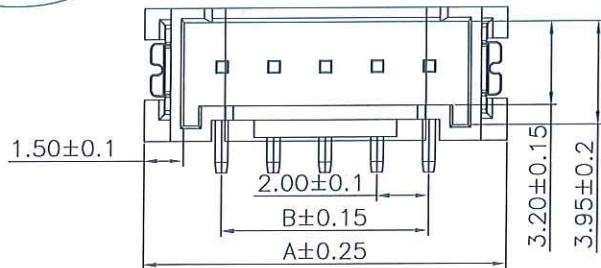




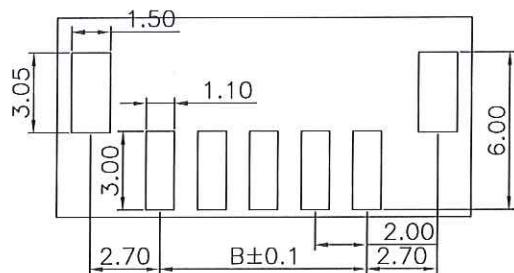
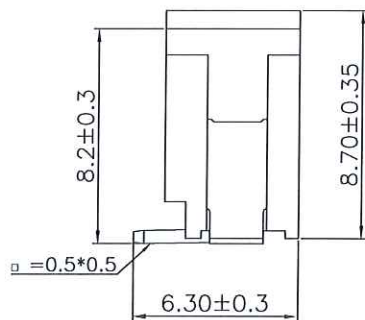
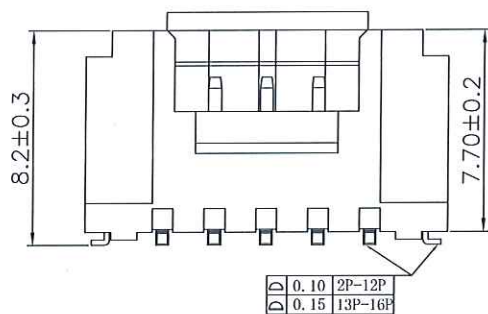
The product using material and processing must conform to the "WI-PZ-001"HSF technical standard control requirements

RoHS+HF

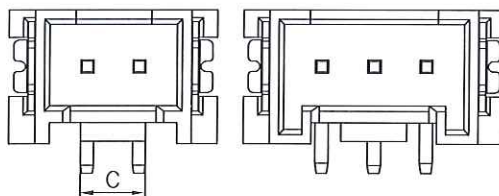


NOTE:  
 1.MATERIAL SPECIFICATION:  
 1-1.HOUSING: PA6T/LCP  
 1-2.CONTACTS: BRASS  
 1-3.SOLDERING LUG: BRASS  
 2.PLATING SPECIFICATION:  
 2-1.CONTACTS:SN PLATED OVER ALL.  
 2-2.SOLDERING LUG:SN PLATED OVER ALL.  
 3.ELECTRICAL PERFORMANCE:  
 3-1.CURRENT RATING: 2.0A  
 3-2.CONTACT RESISTANCE: 20mΩ Max.  
 3-3.INSULATION RESISTANCE: 1000MΩ MIN  
 3-4.DIELECTRIC WITHSTANDING:1000V AC Min  
 4.ENVIRONMENTAL PERFORMANCE:  
 OPERATING TEMPERATURE: -25°C~+85°C.  
 5.PACKAGE SPEC:REEL  
 6.P/N ORDER:

SERIES NO: A2008 W 0-1 XX 2 X X X  
 CONNECTOR: W-WAFER  
 ANGLE: 0-180°  
 ROW NO: 1-SINGLE ROW  
 PIN Q'PY: 02~16  
 TERMIPOINT: 2-SMT  
 WATER CODE: 1-PA10T,UL94V-0, 2-LCP,UL94V-0  
 COLOR: A-BLACK, K-WHITE, S-NATURE  
 PLATING: C-BRIGHT TIN



PCB Layout



2P 示意图

3P 示意图

Ordering Information & Dimensions

Circuits	Dimensions(mm)			Circuits	Dimensions(mm)		
	A	B	C		A	B	C
02	8.00	2.00	2.50	10	24.00	18.00	15.50
03	10.00	4.00	2.50	11	26.00	20.00	17.50
04	12.00	6.00	3.50	12	28.00	22.00	19.50
05	14.00	8.00	5.50	13	30.00	24.00	21.50
06	16.00	10.00	7.50	14	32.00	26.00	23.50
07	18.00	12.00	9.50	15	34.00	28.00	25.50
08	20.00	14.00	11.50	16	36.00	30.00	27.50
09	22.00	16.00	13.50				

REV.	REVISION RECORD	DATE	GENERAL TOLERANCES	SCALE: 1:1	NAME	DATE	PART.NO:	DWG.NO:
A0	NEW RELEASE	21.01.13	LINEAR	APPROVED	张子华	21.3.24	A2008W0-1XX2XXX	ENDE05
A1	PART NUMBER RENEWAL	23.9.15	0.0±0.35	DESIGNER	丁松	23.3.20	TITLE: PITCH 2.0MM 180°HY SET UP POST WAFER	REV: A3 SHEET: 1/2
A2	PA6T IS CHANGED TO PA10T	25.02.19	0.00±0.25	DRAWN	黄容明	25.2.26		
A3	APPEND DIAGRAM		0.000±0.10					

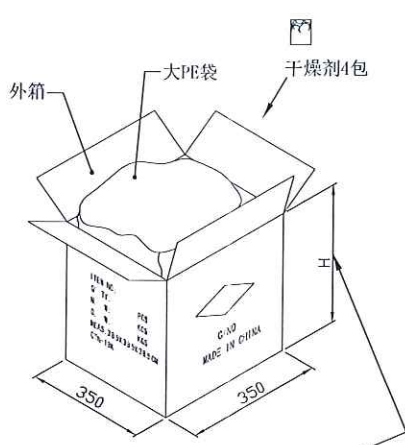
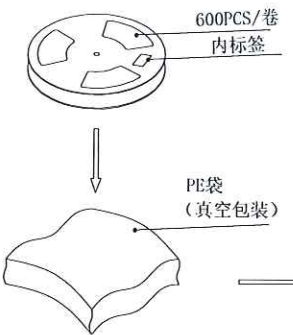
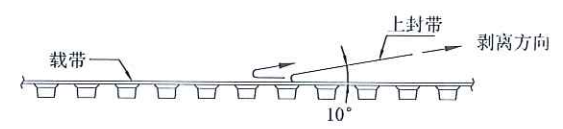
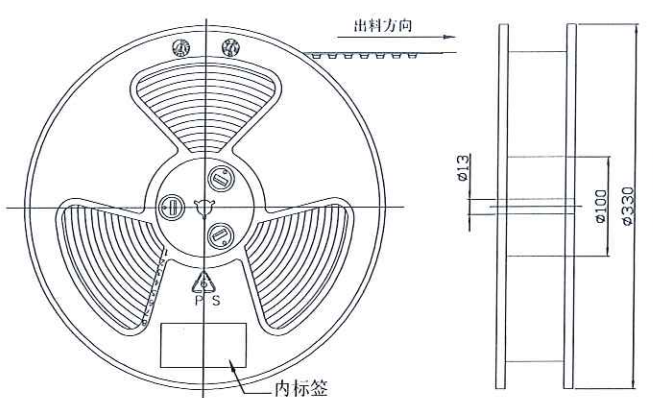
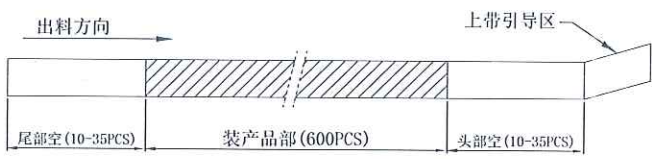
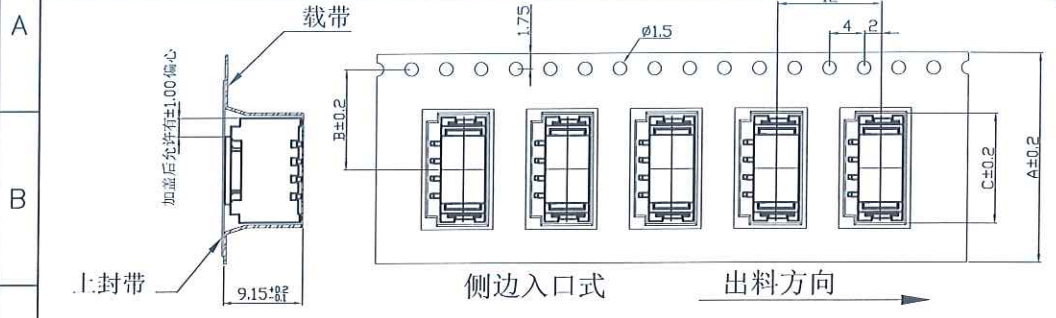


The product using material and processing must conform to the "WI-PZ-001"HSF technical standard control requirements

RoHS+HF


备注:

- 1、10个孔的累积公差为±0.2mm
- 2、载长250mm内允许弯曲度1.0mm
- 3、材质: PS;100%回收再利用
- 4、所以尺寸符合EIA-481-D要求
- 5、上封带剥离强度: 20g~130g(0.2N~1.3N)
- 6、13英寸的卷盘每卷可装载600PCS



纸箱型号 Carton Type	小型 Small Size	中型 Medium	标准型 Standard
高度 Height (CM)	7.5	15	32

Circuits	DIM=A	DIM=B	DIM=C	1盘/只	1箱/盘	Circuits	DTM=A	DTM=B	DTM=C	1盘/只	1箱/盘
2P	24	11.5	8.2	600只	10盘	9P	44	20.2	22.3	600只	6盘
3P	24	11.5	10.2	600只	10盘	10P	44	20.2	24.3	600只	6盘
4P	24	11.5	12.2	600只	10盘	11P	44	20.2	26.3	600只	6盘
5P	24	11.5	14.2	600只	10盘	12P	44	20.2	28.3	600只	6盘
6P	24	11.5	16.2	600只	10盘	13P	44	20.2	30.3	600只	6盘
7P	32	14.2	18.3	600只	8盘	14P	44	20.2	32.3	600只	6盘
8P	32	14.2	20.3	600只	8盘	15P	56	26.2	34.3	600只	5盘
						16P	56	26.2	36.3	600只	5盘

REV.	REVISION RECORD	DATE	UNIT	GENERAL TOLERANCES	SCALE:	NAME	DATE	PART.NO:	DWG.NO:	 WanLian Technology Co., Ltd
A0	NEW RELEASE	21.01.13	mm	LINEAR	1:1			A2008W0-1XX2XXX	ENDE05	
A1	PART NUMBER RENEWAL	23.09.15	mm	0.0±0.35		设计师	2023.09.15			
A2	PA6T IS CHANGED TO PA10T	25.02.19	mm	0.00±0.25		审核	2025.02.19	TITLE:		
A3	APPEND DIAGRAM		mm	0.000±0.10		黄容娟	2025.03.24	PACKAGE DRAWING		

REV: A3 SHEET: 2/2