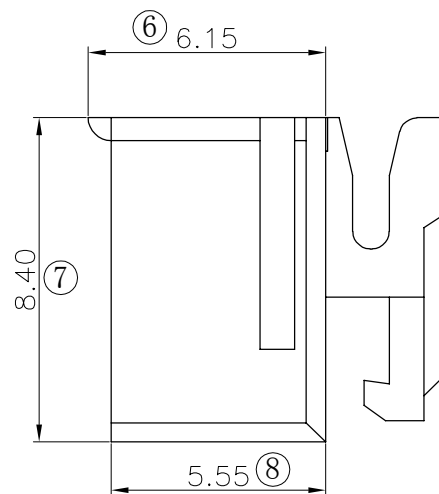
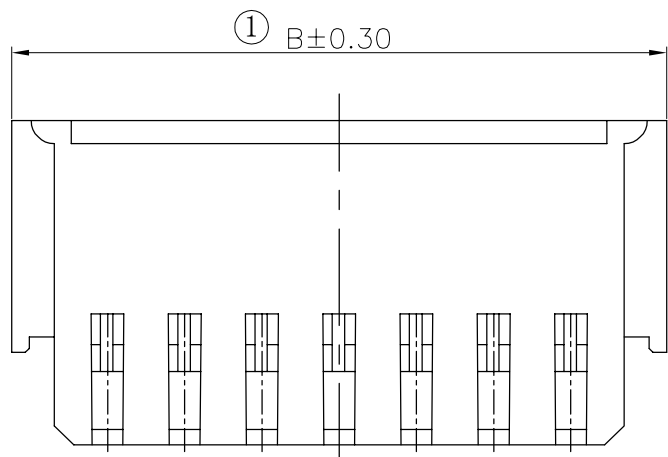


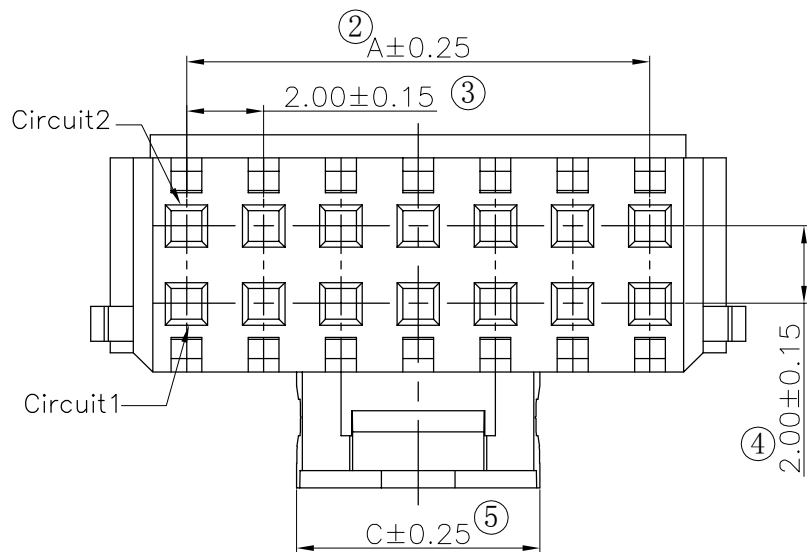
The product using material and processing must conform to the "WI-PZ-001" HSF technical standard control requirements

RoHS



NOTE:
 1.MATERIAL SPECIFICATION:
 1-1.HOUSING: PA66,UL94V-0
 2.ELECTRICAL PERFORMANCE:
 2-1.INSULATION RESISTANCE: 1000MΩ Min
 2-2.DIELECTRIC WITHSTANDING : 1000V AC
 3.ENVIRONMENTAL PERFORMANCE:
 3-1.OPERATING TEMPERATURE: -25°C~+85°C.
 4.PACKAGE SPEC: PE BAG
 5.P/N:

SERIES NO: A2009 H M-2 XX X 0
 COLOR: S-NATURE
 CONNECTOR: H-HOUSING
 PIN Q'PY: 04~30
 MALE FEMALE: M-MALE
 ROW NO: 2-DOUBLE ROW

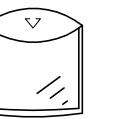
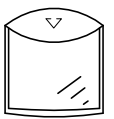
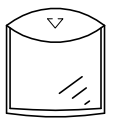
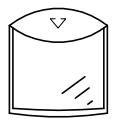


Circuit	Dimensions(mm)			Circuit	Dimensions(mm)		
	A	B	C		A	B	C
2*02	--	7.00	2.90	2*09	16.00	21.00	14.30
2*03	4.00	9.00	3.10	2*10	18.00	23.00	14.30
2*04	6.00	11.00	4.30	2*11	20.00	25.00	14.30
2*05	8.00	13.00	6.30	2*12	22.00	27.00	14.30
2*06	10.00	15.00	8.30	2*13	24.00	29.00	14.30
2*07	12.00	17.00	6.30	2*14	26.00	31.00	14.30
2*08	14.00	19.00	8.30	2*15	28.00	33.00	14.30

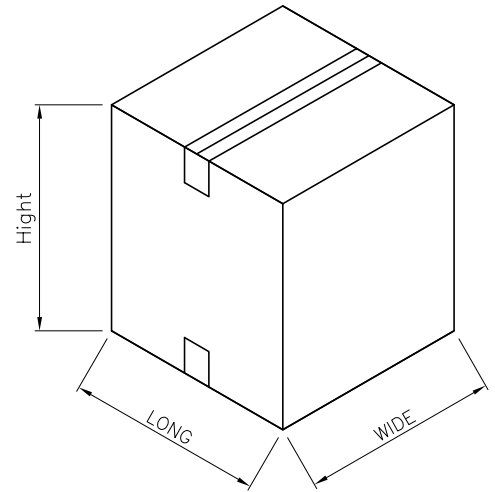
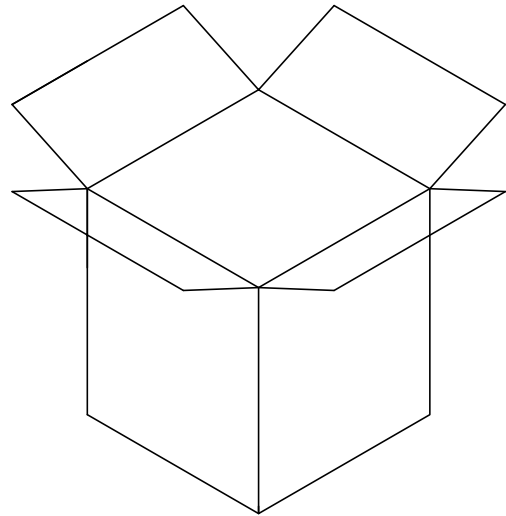
REV.	REVISION RECORD	DATE	UNIT:mm	GENERAL TOLERANCES		SCALE:	NAME	DATE	PART.NO:	DWG.NO:	WanLian Technology Co., Ltd
A0	NEW RELEASE	22.03.19		0.00±0.25	LINEAR	ANGLES	1:1	Wang_jr	22.03.19	A2009HM-2XXX0	
			0.00±0.10	0.00±0.35	X*REF±6°		XueZe_Ma	22.03.19	TITLE: Pitch 2.0mm 180° MALE DOUBLE HOUSING		REV: A0
			SIZE: A4	0.000±0.10	X*X' ±2°		LanXuan_Hou	22.03.19			SHEET: 1/2



The product using material and processing must conform to the "WI-PZ-001"HSF technical standard control requirements



PE袋 1 Pcs
数量 :每袋=0.5-2Kpcs



备注:

1. 纸箱装箱以不超过装箱线为准, 空余位置用塑料泡沫及保尼龙填充;
2. 纸箱分小、中、标准型、大4种规格型号: 装箱为整箱(左下包装量)采用大型纸箱包装, 未达到整箱数量以产品量适当采用小型、中型或标准型纸箱包装;
3. 因生产Pin位未齐全, 每袋与整箱包装数量仅供参考, 具体包装数量以实际出货为准, 或批量出货更新后为准;

纸箱型号 Carton Type	小型 Small Size	中型 Medium	标准型 Standard	大型 Large
长度 Long (CM)	35	35	35	46
宽度 Wide (CM)	35	35	35	46
高度 Hight (CM)	7.5	15	32	46

每袋包装数量			
CKT	PCS/BAG	CKT	PCS/BAG
2	2000	10	1000
3	2000	11	500
4	2000	12	500
5	2000	13	500
6	1000	14	500
7	1000	15	500
8	1000	16	500
9	1000		

REV.	REVISION RECORD	DATE		GENERAL TOLERANCES		SCALE: 1:1	NAME	DATE	PART.NO:	DWG.NO:	
AO	NEW RELEASE	22.03.19		LINEAR 0.0±0.35 0.00±0.25 0.000±0.10	ANGLES X°REF±6° X°±3° X°X'±2°	APPROVED	Wang_jr	22.03.19	A2009HM-2XXX0	ENDE05	
			UNIT:mm		CHECK	XueZe_Ma	22.03.19				
			SIZE: A4		DRAWN	LanXuan_Hou	22.03.19				