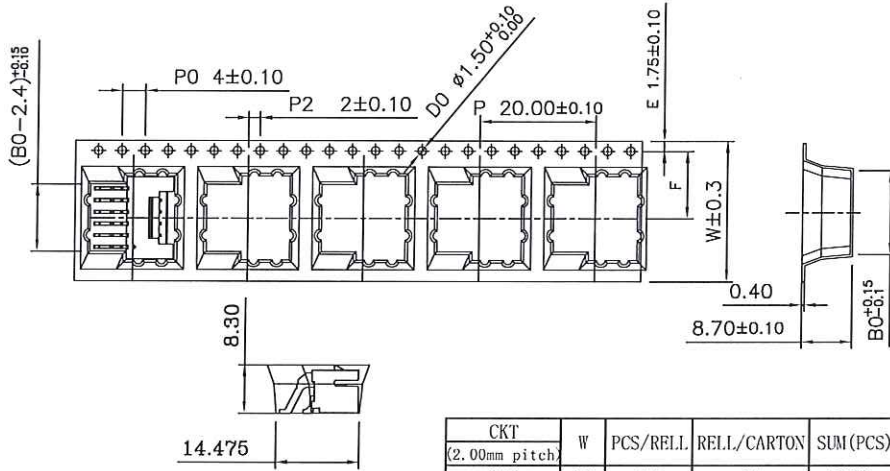
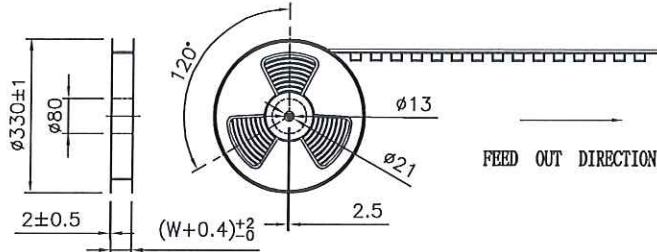
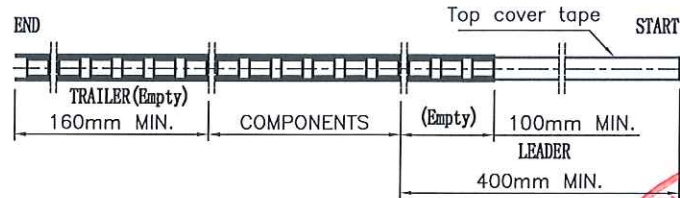


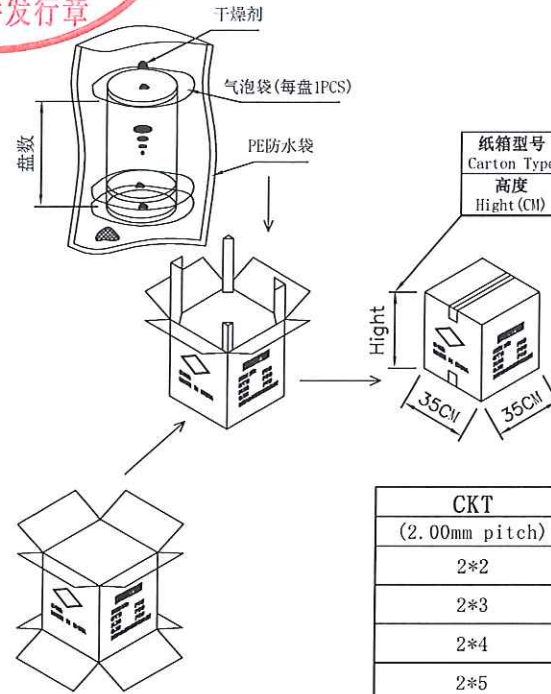
The product using material and processing must conform to the "WI-PZ-001"HSF technical standard control requirements

NOTE(注):

1. 10 SPROCKET HOLE PITCH CUMULATIVE TOLERANCE $\pm 0.2\text{mm}$. (10片孔距累积公差 $\pm 0.2\text{mm}$.)
2. CARRIER CAMBER NOT TO EXCEED 1mm IN 100mm. (载带拱/弧形MAX: 1/100mm.)
3. ALL DIMENSIONS MEET EIA-481 REQUIREMENTS. (所有的尺寸要满足协会EIA-481规范.)
4. MATERIAL: CLEAR ANTISTATIC PS, COLD SEALING. (载带材料: 透明抗静电 PS, 冷封.)
5. THICKNESS: 0.40 \pm 0.05mm. (载带厚度: 0.40 \pm 0.05mm.)
6. PACKING LENGTH PER REEL: 8.4 METERS. (每卷包装长度: 8.4米.)
7. COMPONENT LOAD PER REEL: 400 PCS. (每卷包装数量: 400只.)
8. 纸箱装箱以不超过装箱线为准, 空余位置用塑料泡沫及保尼龙填充.
9. 纸箱分小、中、标准型3种规格型号: 装箱为整箱(左下包装量)采用标准型纸箱包装, 未达到整箱数量以产品量适当采用小型或中型纸箱包装.



CKT (2.00mm pitch)	W	PCS/REEL	REEL/CARTON	SUM(PCS)
2*2	16	400	14	5600
2*3	24	400	10	4000
2*4		400	10	4000
2*5		400	10	4000
2*6		400	10	4000



纸箱型号 Carton Type	小型 Small Size	中型 Medium	标准型 Standard
高度 Height (CM)	7.5	15	32

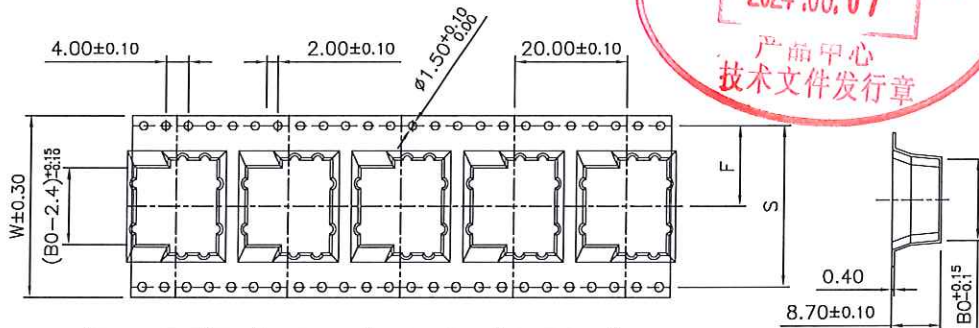
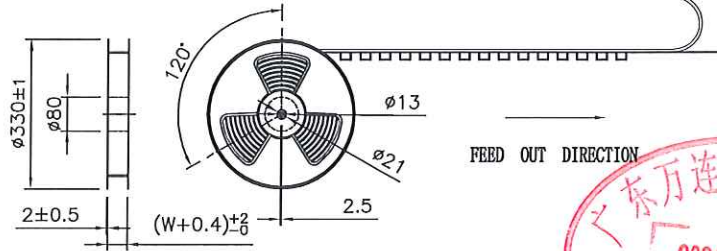
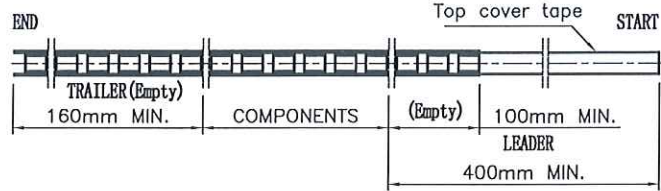
CKT (2.00mm pitch)	B0	W	F
2*2	6.35	16	7.50
2*3	8.35	24	11.50
2*4	10.35		
2*5	12.35		
2*6	14.35		

REV.	REVISION RECORD	DATE	GENERAL TOLERANCES	SCALE: 1:1	NAME	DATE	PART.NO:	DWG.NO:
A0	NEW RELEASE		LINEAR 0.0±0.35	APPROVED	8/8/24	2024.6.7	A2009W93-2XX2XXX	ENDE05
			ANGLES 0.00±0.25	CHECK	梁林程	2024.6.7	TITLE: Pitch 2.0mm 90° 双排 SMT Wafer	
			UNIT:mm SIZE: A4	DRAWN	肖雨蒙	2024.6.7		
			0.000±0.10					REV: A0 SHEET: 2/3



WanLian Technology Co., Ltd

The product using material and processing must conform to the "WI-PZ-001"HSF technical standard control requirements

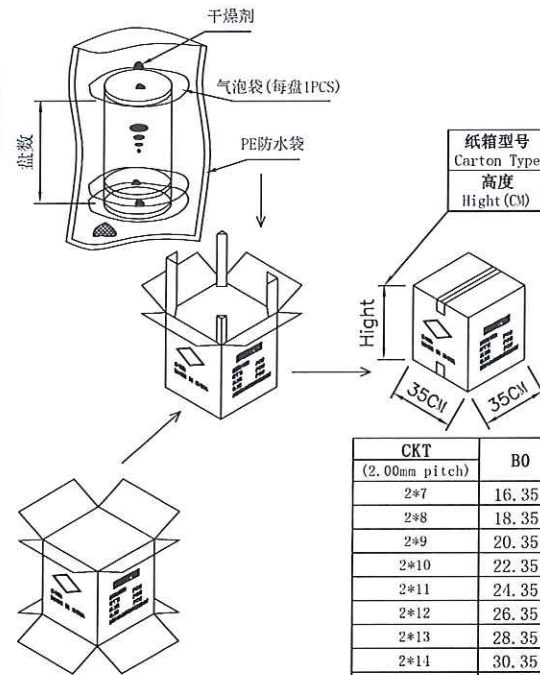


CKT (2.00mm pitch)	W	PCS/RELL	RELL/CARTON	SUM(PCS)
2*7	32	400	8	3200
2*8		400	8	3200
2*9		400	6	2400
2*10	44	400	6	2400
2*11		400	6	2400
2*12		400	6	2400
2*13		400	6	2400
2*14	56	400	6	2400
2*15		400	5	2000
2*16		400	5	2000
2*22	72	400	4	1600



NOTE(注):

1. 10 SPROCKET HOLE PITCH CUMULATIVE TOLERANCE $\pm 0.2\text{mm}$. (10片孔距累积公差 $\pm 0.2\text{mm}$.)
2. CARRIER CAMBER NOT TO EXCEED 1mm IN 100mm. (载带拱/弧形MAX: 1/100mm.)
3. ALL DIMENSIONS MEET EIA-481 REQUIREMENTS. (所有的尺寸要满足协会EIA-481规范.)
4. MATERIAL: CLEAR ANTISTATIC PS, COLD SEALING. (载带材料: 透明防静电 PS, 冷封.)
5. THICKNESS: $0.40 \pm 0.05\text{mm}$. (载带厚度: $0.40 \pm 0.05\text{mm}$.)
6. PACKING LENGTH PER REEL: 8.4 METERS. (每卷包装长度: 8.4米.)
7. COMPONENT LOAD PER REEL: 400 PCS. (每卷包装数量: 400只.)
8. 纸箱装箱以不超过装箱线为准, 空余位置用塑料泡沫及保尼龙填充.
9. 纸箱分小、中、标准型3种规格型号; 装箱为整箱(左下包装量)采用标准型纸箱包装, 未达到整箱数量以产品量适当采用小型或中型纸箱包装.



纸箱型号 Carton Type	小型 Small Size	中型 Medium	标准型 Standard
高度 Height (Cm)	7.5	15	32

CKT (2.00mm pitch)	B0	W	F	S
2*7	16.35	32	14.20±0.10	28.40
2*8	18.35			
2*9	20.35			
2*10	22.35	44	20.20±0.10	40.40
2*11	24.35			
2*12	26.35			
2*13	28.35			
2*14	30.35	56	26.20±0.15	52.40
2*15	32.35			
2*16	34.35			
2*22	46.35	72	34.2±0.15	68.40

REV.	REVISION RECORD	DATE	GENERAL TOLERANCES	SCALE: 1:1	NAME	DATE	PART.NO:	DWG.NO:
A0	NEW RELEASE		LINEAR 0.0±0.35 0.00±0.25 0.000±0.10	APPROVED	孙雨薇	2024.6.7	A2009W93-2XX2XXX	ENDE05
			ANGLES X'REF±6' X'±3' X'X'±2'	CHECK	梁林欣	2024.6.7	TITLE: Pitch 2.0mm 90° 双排 SMT Wafer	WanLian Technology Co., Ltd
			UNIT:mm SIZE: A4	DRAWN	孙雨薇	2024.6.7		REV: A0 SHEET: 3/3