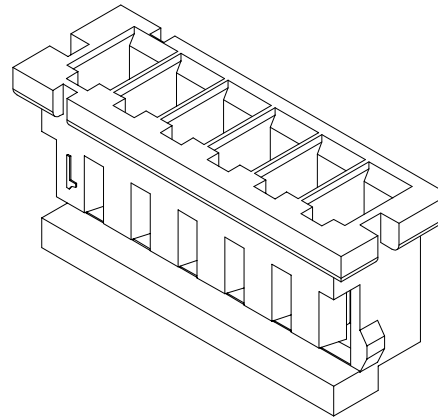
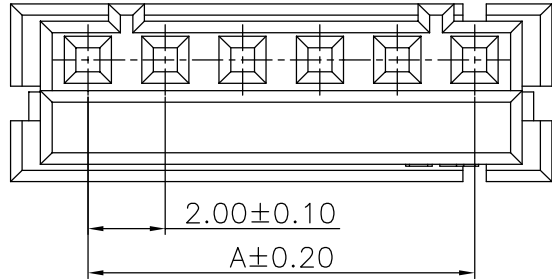


The product using material and processing must conform to the "WI-PZ-001" HSF technical standard control requirements

RoHS



NOTE:

- 1.MATERIAL SPECIFICATION:
 - 1-1.HOUSING: PA66,UL94V-0
- 2.ELECTRICAL PERFORMANCE:
 - 2-1.CURRENT RATING: 3A
RATED VOLTAGE : 250V
 - 2-2.CONTACT RESISTANCE: 30 mΩ MAX
 - 2-3.INSULATION RESISTANCE: 1000MΩ Min
 - 2-4.DIELECTRIC WITHSTANDING : 650V AC
- 3.ENVIRONMENTAL PERFORMANCE:
 - 3-1.OPERATING TEMPERATURE: -25°C~+85°C.
- 4.SUITABLE A2011 SERIES TERMINAL
MATES WITH A2011 SERIES WAFER.
- 5.PACKAGE SPEC: PE BAG
- 6.P/N:

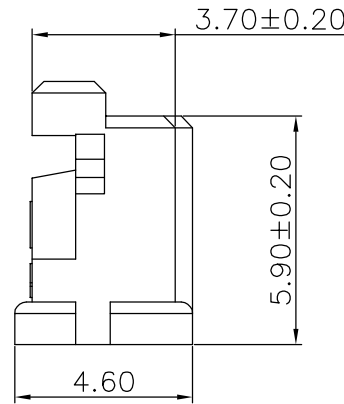
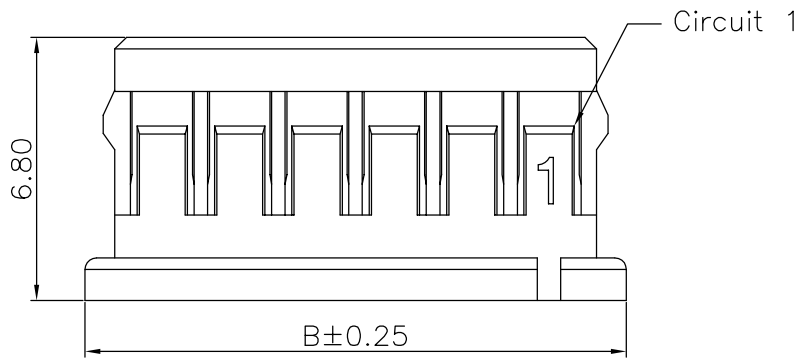
SERIES NO: A2011 H M-1 XX X 0
 COLOR:
 A-BLACK
 S-NATURE

CONNECTOR:
 H-HOUSING
 PIN Q'PY:
 02~15

MALE FEMALE:
 M-MALE
 ROW NO:
 1-SINGLE ROW

Ordering Information & Dimensions

Circuit	Dimensions(mm)		Circuit	Dimensions(mm)	
	A	B		A	B
02	2.00	6.00	09	16.00	20.00
03	4.00	8.00	10	18.00	22.00
04	6.00	10.00	11	20.00	24.00
05	8.00	12.00	12	22.00	26.00
06	10.00	14.00	13	24.00	28.00
07	12.00	16.00	14	26.00	30.00
08	14.00	18.00	15	28.00	32.00



REV.	REVISION RECORD	DATE	UNIT:mm	GENERAL TOLERANCES		SCALE:	NAME	DATE	PART.NO:	DWG.NO:	WanLian Technology Co., Ltd
AO	NEW RELEASE	22.10.28		LINEAR	ANGLES	1:1					
				0.00±0.25	X'±3'	CHECK	XueZe_Ma	22.10.28	A2011HM-1XXX0	ENDE05	
			SIZE: A4	0.000±0.10	X'X' ±2'	DRAWN	LanXuan_Hou	22.10.28	TITLE: Pitch2.00mm 单排Housing		REV: A0 SHEET: 1/1

