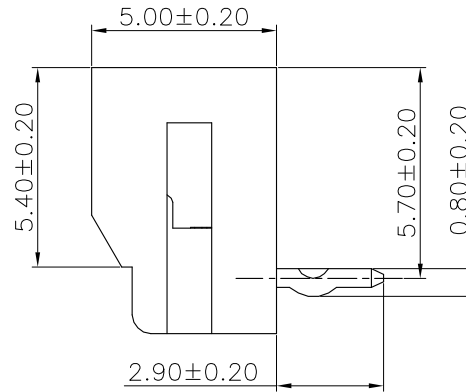
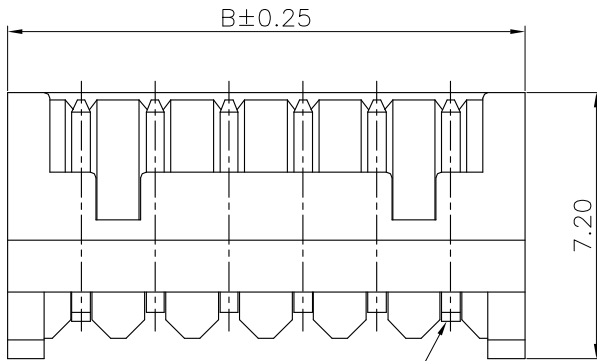
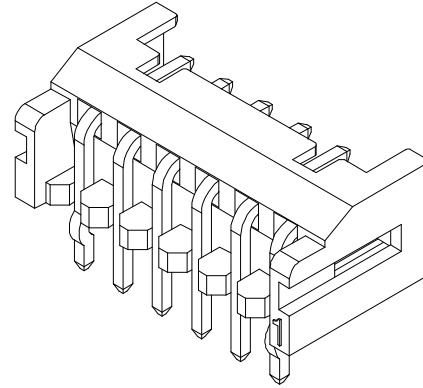
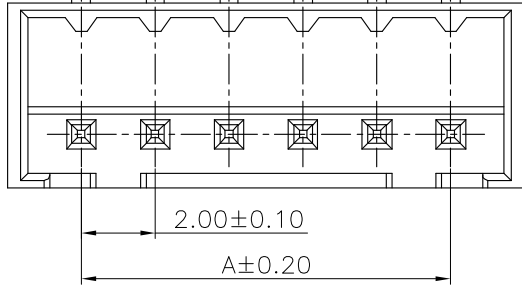


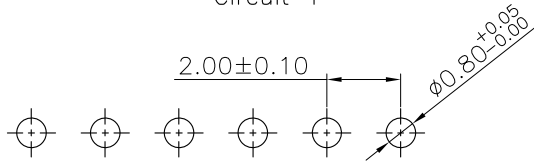
The product using material and processing must conform to the "WI-PZ-001" HSF technical standard control requirements

RoHS

SQ 0.50



Circuit 1



P.C.B LAYOUT

NOTE:

- 1.MATERIAL SPECIFICATION:
 - 1-1.HOUSING: PA6T,UL94V-0
 - 1-2.CONTACTS: BRASS
- 2.PLATING SPECIFICATION:
 - 2-1.CONTACTS: TIN/GOLD FLASH PLATED OVER ALL.
- 3.ELECTRICAL PERFORMANCE:
 - 3-1.CURRENT RATING: 3A
RATED VOLTAGE : 250V
 - 3-2.CONTACT RESISTANCE: 30 mΩ MAX
 - 3-3.INSULATION RESISTANCE: 1000MΩ Min
 - 3-4.DIELECTRIC WITHSTANDING : 650V AC
- 4.ENVIRONMENTAL PERFORMANCE:
 - 4-1.OPERATING TEMPERATURE: -25°C~+85°C.
- 5.MATES WITH A2011 SERIES HOUSING
- 6.PACKAGE SPEC: PE BAG
- 7.P/N:

A2011 W 9-1 XX 1 X X 0

SERIES NO:—

CONNECTOR:
W—WAFER

ANGLE:
9—90°

ROW NO:
1—SINGLE ROW

PIN Q' PY:
02~15


COLOR:
A—BLACK
S—NATURE

PLATING:
A—ALL AU G/F
C—BRIGHT TIN
D—MATTE TIN

TERMIPOINT:
1—DIP

Ordering Information & Dimensions

Circuit	Dimensions(mm)		Circuit	Dimensions(mm)	
	A	B		A	B
02	---	6.00	09	16.00	20.00
03	4.00	8.00	10	18.00	22.00
04	6.00	10.00	11	20.00	24.00
05	8.00	12.00	12	22.00	26.00
06	10.00	14.00	13	24.00	28.00
07	12.00	16.00	14	26.00	30.00
08	14.00	18.00	15	28.00	32.00

REV.	REVISION RECORD	DATE	GENERAL TOLERANCES		SCALE:	NAME	DATE	PART.NO:	DWG.NO:
A0	NEW RELEASE	22.11.09	LINEAR	ANGLES	1:1	Wang_jr	22.11.09	A2011W9-1XX1XX0	ENDE05
			0.0±0.35	X°REF±6°	APPROVED	XueZe_Ma	22.11.09	TITLE:	 WanLian Technology Co., Ltd REV: A0 SHEET: 1/1
			0.00±0.25	X°±3°	CHECK	LanXuan_Hou	22.11.09	Pitch 2.0mm 90°单排卧插 Wafer	
			0.000±0.10	X°X' ±2°	DRAWN				



WanLian Technology Co., Ltd

REV: A0 SHEET: 1/1