

The product using material and processing must conform to the "WI-PZ-001"HSF technical standard control requirements

RoHS+HF

NOTE:

1.MATERIAL SPECIFICATION:

1-1.HOUSING:PBT,UL94V-0

2.MECHANICAL PERFORMANCE:

2-1.INSERTION FORCE: 1KGF/PIN MAX

2-2.REMOVAL FORCE: 3KGF/PIN MIN

2-3.DURABILITY: 25 CYCLES.

3.ELECTRICAL PERFORMANCE:

3-1. RATED CURRENT : 10A

RATED VOLTAGE : 250V

3-2.INSULATION RESISTANCE: 1000MΩ MIN

CONTACT RESISTANCE : 30mΩ MAX

3-3.WITHSTANDING VOLTAGE:1500V AC

4.ENVIRONMENTAL PERFORMANCE:

OPERATING TEMPERATURE: -40°C~+90°C.

5.PACKAGE SPEC:PE BAG

6.P/N:

A2201 H M-2 20 X 0

SERIES NO:

COLOR:

A-BLACK

K-WHITE

S-NATURE

CONNECTOR:

H-HOUSING

PIN Q'PY:

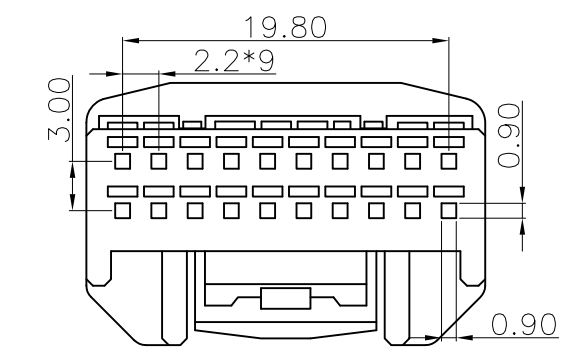
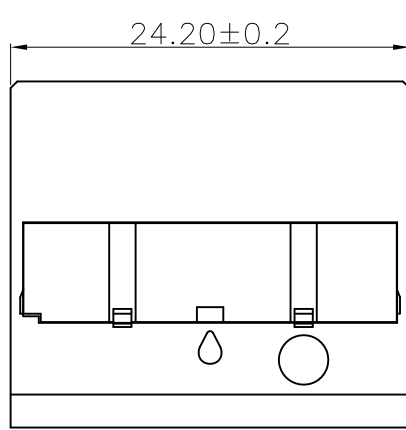
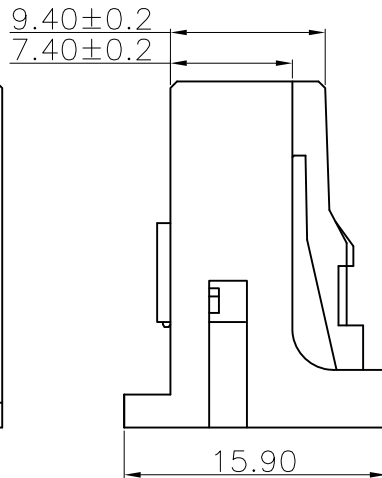
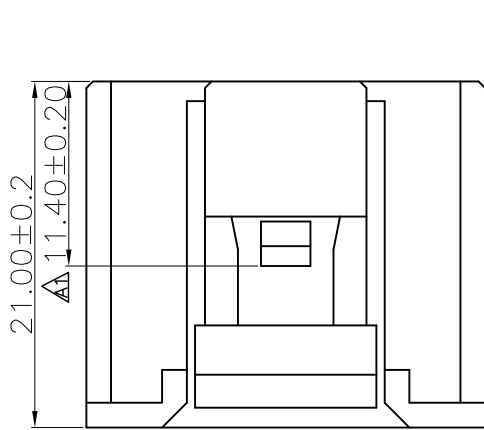
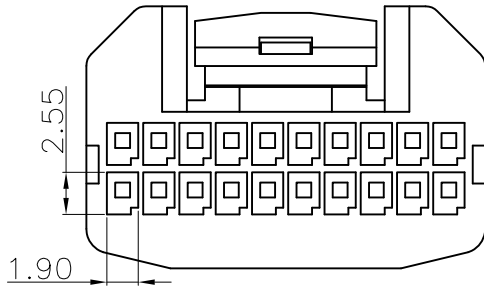
02~40

MALE FEMALE:

M-MALE

ROW NO:

2-DOUBLE ROW



REV.	REVISION RECORD	DATE	UNIT:mm	GENERAL TOLERANCES		SCALE: 1:1	NAME	DATE	PART.NO:	DWG.NO:	 WanLian Teconology Co., Ltd
A0	NEW RELEASE	21.01.13		LINEAR	ANGLES	APPROVED	Wang_jr	23.9.26	A2201HM-220X0	ENDE05	
A1	MODIFIED IN KIND	23.9.26		0.0±0.35	X'REF±6°	DESIGNER	Han_Gao	23.9.26	TITLE: PITCH 2.20mm 公胶壳		REV: A1 SHEET: 1/1
			0.00±0.25	X°±3°	DRAWN	Zijun_Huang	23.9.26				
			SIZE: A4	0.000±0.10	X°X' ±2°						