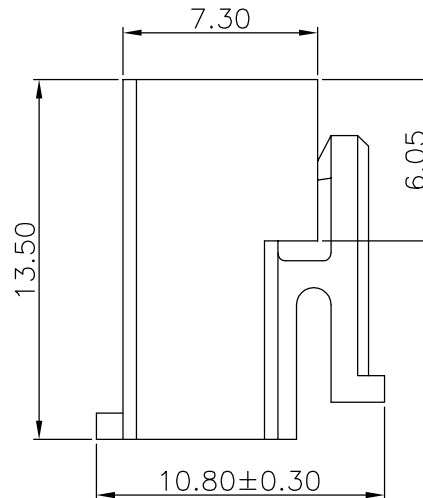
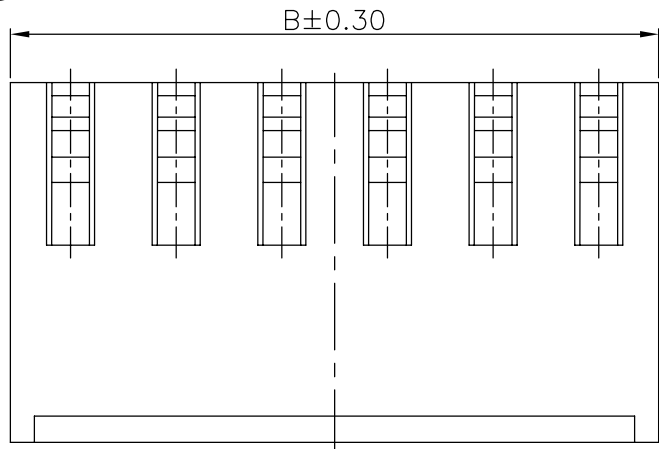
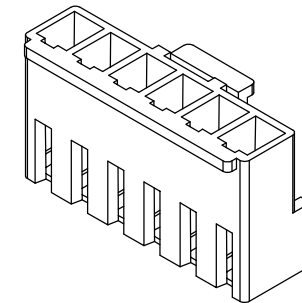


The product using material and processing must conform to the "WI-PZ-001" HSF technical standard control requirements

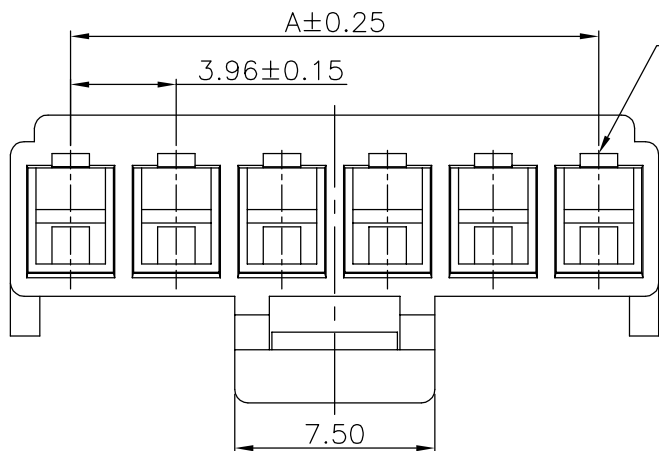
RoHS+HF



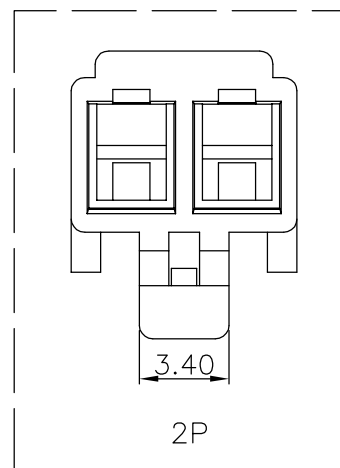
NOTE:

1. MATERIAL SPECIFICATION:
  - 1-1. HOUSING: PA66, UL94V-0
2. ELECTRICAL PERFORMANCE:
  - 2-1. INSULATION RESISTANCE: 1000MΩ Min
  - 2-2. DIELECTRIC WITHSTANDING: 1500V AC
3. ENVIRONMENTAL PERFORMANCE:
  - 3-1. OPERATING TEMPERATURE: -25°C~+85°C.
4. PACKAGE SPEC: PE BAG
5. P/N:

SERIES NO: A3962 H 5 M-1 XX X X  
 CONNECTOR: H-HOUSING  
 TYPE CODE: M-MALE  
 MALE FEMALE: M-MALE  
 ROW NO: 1-SINGLE ROW  
 WATER CODE: 0-N/A  
 COLOR: S-NATURE  
 PIN Q'PY: 02~16



Circuit 1



3-16P

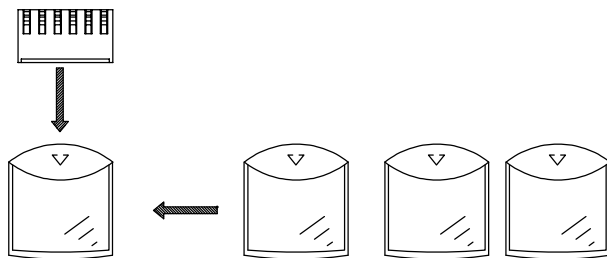
2P

Circuits	Dimensions(mm)		Circuits	Dimensions(mm)	
	A	B		A	B
02	3.96	8.46	10	35.64	40.14
03	7.92	12.42	11	39.60	44.10
04	11.88	16.38	12	43.56	48.06
05	15.84	20.34	13	47.52	52.02
06	19.80	24.30	14	51.48	55.98
07	23.76	28.26	15	55.44	59.94
08	27.72	32.22	16	59.40	63.90
09	31.68	36.18			

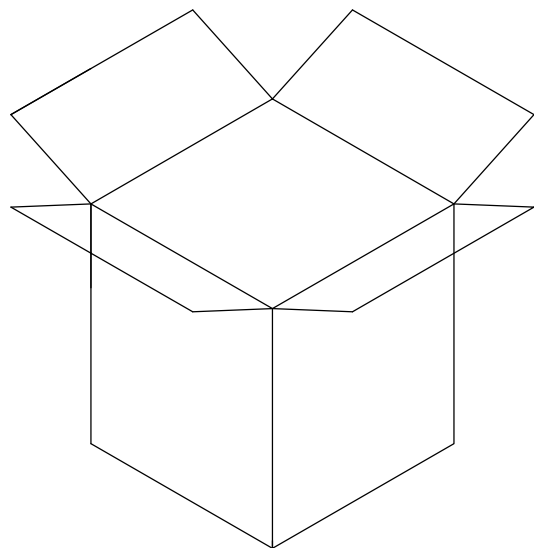
REV.	REVISION RECORD	DATE	GENERAL TOLERANCES		SCALE:	NAME	DATE	PART.NO:	DWG.NO:
A0	NEW RELEASE	22.03.19	 UNIT:mm SIZE: A4	LINEAR	1:1	Wang_jr	22.03.19	A3962H5M-1XXXX	ENDE05
				ANGLES	APPROVED	X*REF±6°	XueZe_Ma	22.03.19	TITLE:
			0.00±0.25	X'±3°	CHECK	LanXuan_Hou	22.03.19	Pitch 3.96mm 180°VH 单排 Housing	
			0.000±0.10	X*X' ±2°	DRAWN				

The product using material and processing must conform to the "WI-PZ-001" HSF technical standard control requirements

RoHS+HF

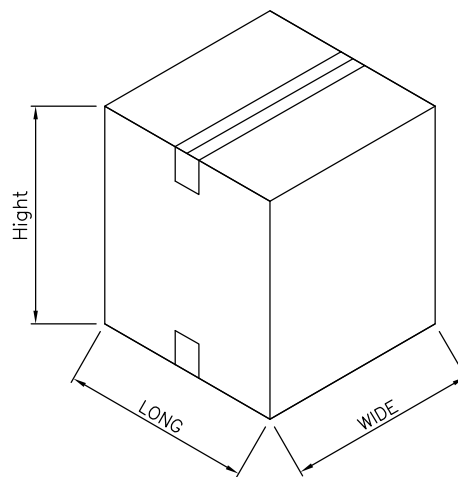


PE袋 1 Pcs  
数量 :每袋=0.2~1Kpcs



1. 纸箱装箱以不超过装箱线为准, 空余位置用塑料泡沫及保尼龙填充;
2. 纸箱分小、中、标准型、大4种规格型号: 装箱为整箱采用大型纸箱包装, 未达到整箱数量以产品量适当采用小型、中型或标准型纸箱包装;
3. 因生产Pin位未齐全, 每袋与整箱包装数量仅供参考, 具体包装数量以实际出货为准, 或批量出货更新后为准;

纸箱型号 Carton Type	小型 Small Size	中型 Medium	标准型 Standard	大型 Large
长度 Long (CM)	35	35	35	46
宽度 Wide (CM)	35	35	35	46
高度 Hight (CM)	7.5	15	32	46



标准箱包装数量			
CKT	PCS/BAG	CKT	PCS/BAG
2	1000	10	300
3	500	11	300
4	500	12	300
5	500	13	200
6	500	14	200
7	500	15	200
8	300	16	200
9	300		

REV.	REVISION RECORD	DATE		GENERAL TOLERANCES		SCALE: 1:1	NAME	DATE	PART.NO:	DWG.NO:	
AO	NEW RELEASE	22.03.19		LINEAR	ANGLES	APPROVED	Wang_jr	22.03.19	A3962H5M-1XXXX	ENDE05	
			0.0±0.35	X°REF±6'	CHECK	XueZe_Ma	22.03.19	TITLE: Pitch 3.96mm 180°VH 单排 Housing		REV: A0	SHEET: 2/2
			UNIT:mm	X°±3'	DRAWN	LanXuan_Hou	22.03.19				
			SIZE: A4	0.000±0.10	X°X' ±2'						