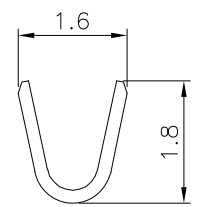
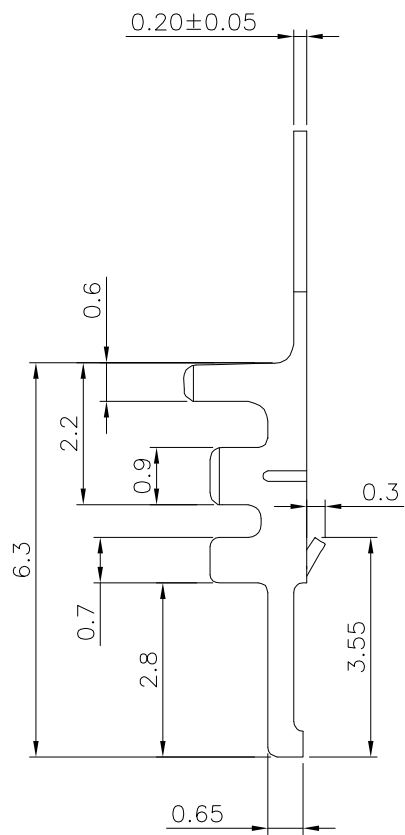
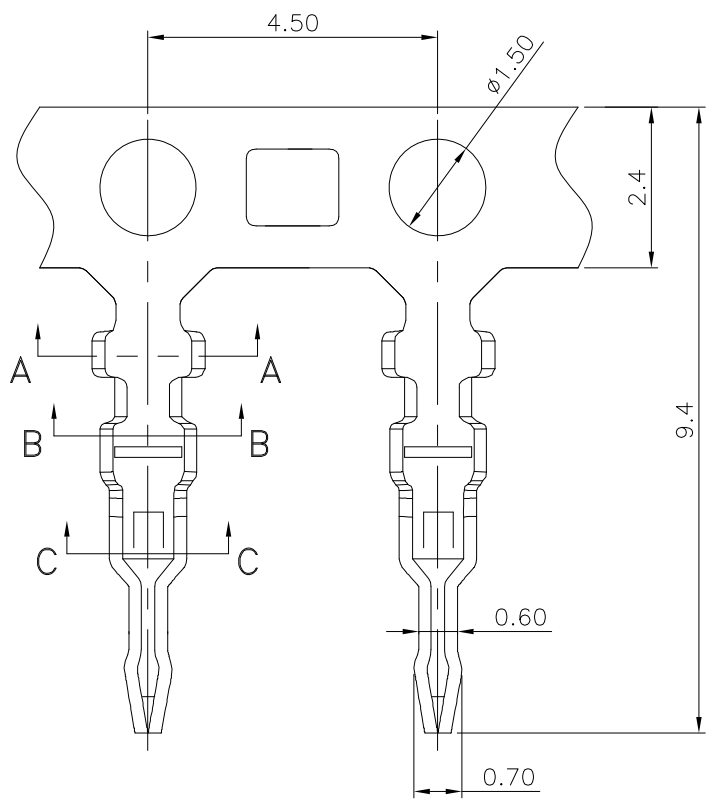
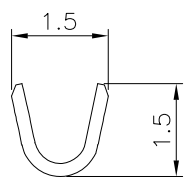


The product using material and processing must conform to the "WI-PZ-001"HSF technical standard control requirements

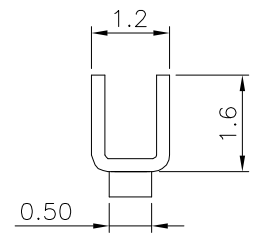
RoHS



SECTION A-A



SECTION B-B



SECTION C-C

NOTE:
 1.MATERIAL SPECIFICATION:
 1-1.CONTACTS: PHOSPHOR BRONZE
 2.PLATING SPECIFICATION:
 2-1.CONTACTS:
 TIN/GOLD FLASH PLATED OVER ALL.
 3.MECHANICAL PERFORMANCE:
 3-1.RETENTIVITY FORCE: 0.7KGF/Pin Min
 3-2.DURABILITY: 5 CYCLES.
 4.ELECTRICAL PERFORMANCE:
 4-1.CURRENT RATING: 0.7A AC/DC
 RATED VOLTAGE : 50V AC/DC
 4-2.CONTACT RESISTANCE: 20 mΩ MAX
 4-3.INSULATION RESISTANCE: 500MΩ Min
 4-4.DIELECTRIC WITHSTANDING : 500V
 5.ENVIRONMENTAL PERFORMANCE:
 5-1.OPERATING TEMPERATURE: -20°C~+85°C.
 6.PACKAGE SPEC: REEL
 7.P/N: B1501 T F O X-X
 SERIES NO: T F O X-X
 CONNECTOR: T-TERMINAL
 MALE FEMALE: F-FEMALE
 ANGLE: 0-180°
 PLATING:
 A-ALL AU G/F
 C-BRIGHE TIN
 D-MATTE TIN
 METAL:
 P-PHOSPHOR BRONZE
 B-BRASS

REV.	REVISION RECORD	DATE		GENERAL TOLERANCES		SCALE: 1:1	NAME	DATE	PART.NO: B1501TF0X-X	DWG.NO: ENDE05	
A0	NEW RELEASE	22.09.08		LINEAR	ANGLES	APPROVED	Wang_jr	22.09.08			
			UNIT:mm	0.00±0.25	X°±3°	DESIGNER	Han_Gao	22.09.08	TITLE: Pitch1.5mm 180°SZN立插式基板端子AWG#24-#28		REV: A0 SHEET: 1/1
			SIZE: A4	0.000±0.10	X°X' ±2°	DRAWN	LanXuan_Hou	22.09.08			