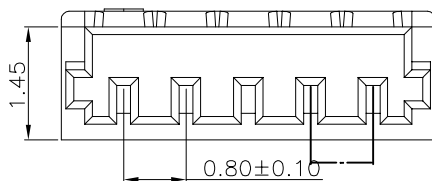
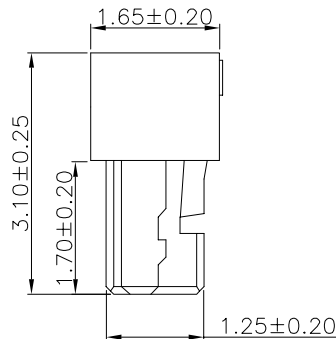
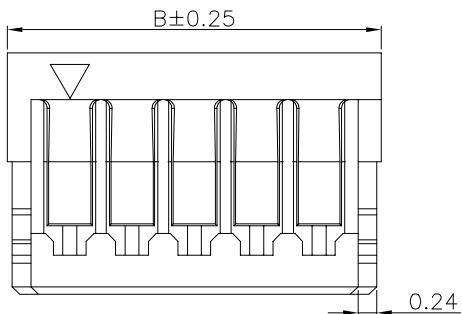
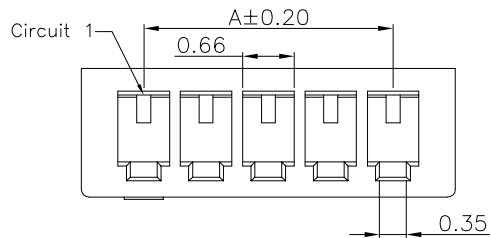
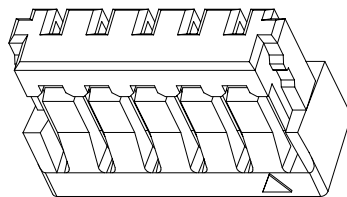
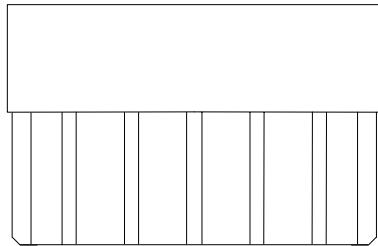


The product using material and processing must conform to the "WI-PZ-001"HSF technical standard control requirements

RoHS+HF



NOTE:

- 1.MATERIAL SPECIFICATION:
1-1.HOUSING:LCP 94V-0
- 2.MECHANICAL PERFORMANCE:
2-1.RETENTION FORCE: 1.0kgf/PIN MIN
2-2.DURABILITY: 50 CYCLES.
- 3.ELECTRICAL PERFORMANCE:
4-1. RATED CURRENT : 1A
RATED VOLTAGE : 30V AC
4-2.INSULATION RESISTANCE: 100MΩ MIN
4-3.CONTACT RESISTANCE : 30mΩ MAX
4-4.WITHSTANDING VOLTAGE: 200V AC
- 4.ENVIRONMENTAL PERFORMANCE:
OPERATING TEMPERATURE: -25°C~+85°C.
- 5.P/N:

D0801 H 1 M-1 XX X 0

SERIES NO: [] COLOR:
CONNECTOR: [] H-HOUSING [] A-BLACK
TYPE CODE: [] K-WHITE
MALE FEMALE: [] M-MALE [] S-NATURE
[] PIN Q'PY:
[] 02~20P
[] ROW NO:
[] 1-SINGLE ROW

Poles	Dimensions (mm)		Poles	Dimensions (mm)	
	A	B		A	B
02	0.80	2.40	12	8.80	10.40
03	1.60	3.20	13	9.60	11.20
04	2.40	4.00	14	10.40	12.00
05	3.20	4.80	15	11.20	12.80
06	4.00	5.60	16	12.00	13.60
07	4.80	6.40	17	12.80	14.40
08	5.60	7.20	18	13.60	15.20
09	6.40	8.00	19	14.40	16.00
10	7.20	8.80	20	15.20	16.80
11	8.00	9.60			

REV.	REVISION RECORD	DATE	UNIT:mm	GENERAL TOLERANCES		SCALE:	NAME	DATE	PART.NO:	DWG.NO:	TITLE:	REV: A0	SHEET: 1/1
A0	NEW RELEASE	21.01.13		LINEAR	ANGLES	1:1							
A1	Increase the view	22.6.27	0.00±0.25	X'±3'	APPROVED	Wang_jr	21.01.13	D0801H1M-1XXX0	ENDE05	 WanLian Teconology Co., Ltd			
			0.00±0.35	X*REF±6'	DESIGNER	Han_Gao	21.01.13						
			0.00±0.10	X*X' ±2'	DRAWN	Zijun_Huang	21.01.13						



WanLian Teconology Co., Ltd

REV: A0 SHEET: 1/1