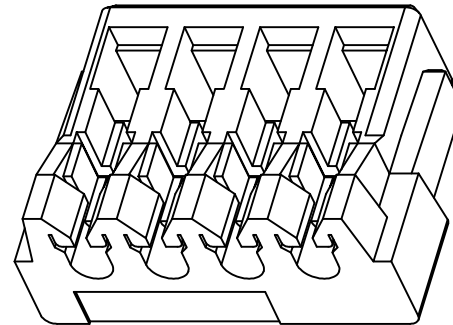
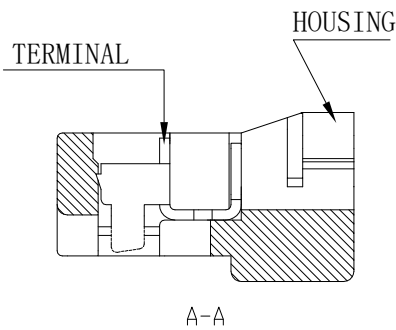
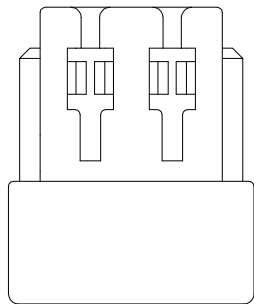
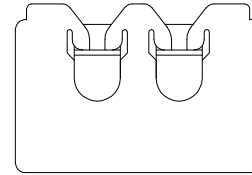
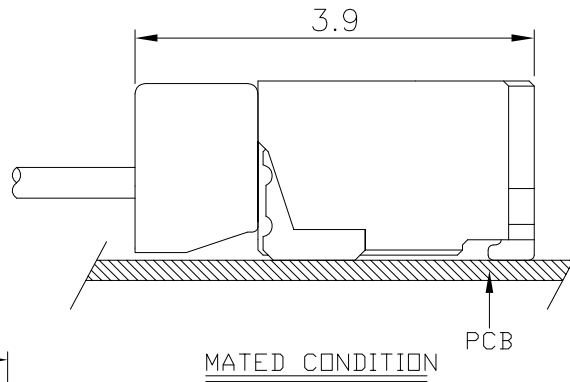
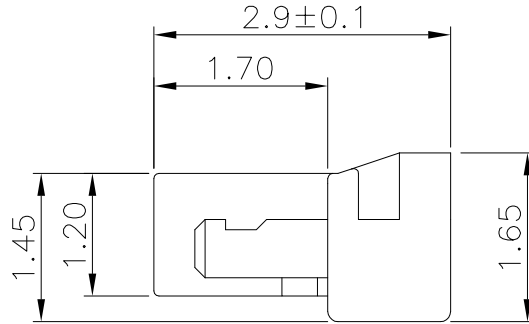
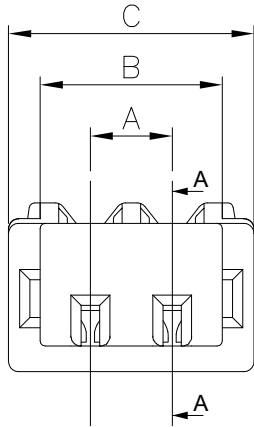


The product using material and processing must conform to the "WI-PZ-001"HSF technical standard control requirements



- NOTE:
- MATERIAL SPECIFICATION:
    - HOUSING:PA66/PA46, 94V-0
    - TERMINAL:PHOSPHOR BRONZE AWG #32-#34
  - PLATING SPECIFICATION:
    - TREMINAL: TIN OR AU PLATED ON CONTACT AREA.
  - MECHANICAL PERFORMANCE:
    - RETENTION FORCE: 0.3kgf/PIN MIN
    - DURABILITY: 50 CYCLES.
  - ELECTRICAL PERFORMANCE:
    - RATED CURRENT : 0.5A  
RATED VOLTAGE : 30V AC
    - INSULATION RESISTANCE: 100MΩ MIN
    - CONTACT RESISTANCE :30mΩ MAX
    - WITHSTANDING VOLTAGE: 200V AC
  - ENVIRONMENTAL PERFORMANCE:
    - OPERATING TEMPERATURE: -25°C~+85°C.
  - PACKAGE SPEC: TUBE

7.P/N: D0801 H 4 M-1 XX X X

SERIES NO: H HOUSING: 1-PA66 RoHS+HF, 2-PA46 RoHS

CONNECTOR: H HOUSING

4-TYPE CODE M MALE, F FEMALE

COLOR: A-BLACK, K-WHITE, S-NATURE

ROW NO: 1-SINGLE ROW PIN Q'PY: 02~22

PART NO.	Dimension mm			PART NO.	Dimension mm		
	A	B	C		A	B	C
02	0.80	1.78	2.40	13	9.60	10.58	11.20
03	1.60	2.58	3.20	14	10.40	11.38	12.00
04	2.40	3.38	4.00	15	11.20	12.18	12.80
05	3.20	4.18	4.80	16	12.00	12.98	13.60
06	4.00	4.98	5.60	17	12.80	13.78	14.40
07	4.80	5.78	6.40	18	13.60	14.58	15.20
08	5.60	6.58	7.20	19	14.40	15.38	16.00
09	6.40	7.38	8.00	20	15.20	16.18	16.80
10	7.20	8.18	8.80	21	16.00	16.98	17.60
11	8.00	8.98	9.60	22	16.80	17.78	18.40
12	8.80	9.78	10.40				

REV.	REVISION RECORD	DATE	GENERAL TOLERANCES		SCALE:	NAME	DATE	PART.NO:	DWG.NO:
A0	NEW RELEASE	21.01.13	LINEAR	ANGLES	1:1	Wang_jr	21.01.13	D0801H4M-1XXXX	ENDE05
			0.0±0.35	X°REF±6'	APPROVED	Han_Gao	21.01.13	TITLE:	 WanLian Teconology Co., Ltd REV: A0 SHEET: 1/1
			0.00±0.25	X'±3'	DESIGNER	Zijun_Huang	21.01.13	Pitch0.8mm SUR 刺破式 无耳 MALE IDC HOUSING	
			0.000±0.10	X'X' ±2'	DRAWN				