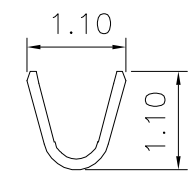
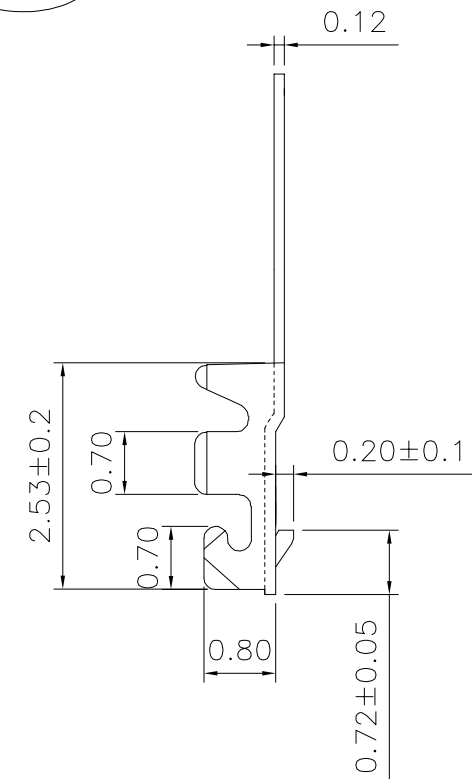
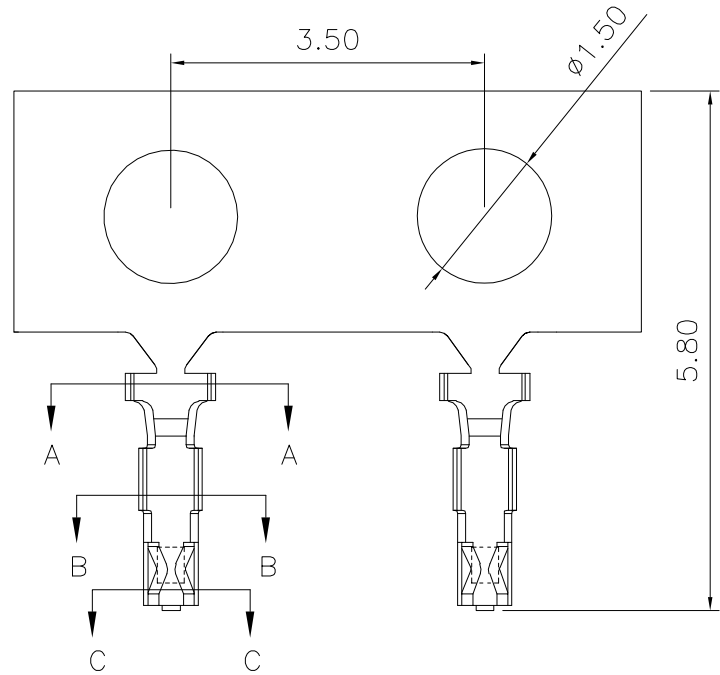
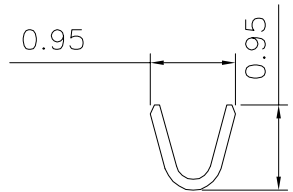


RoHS

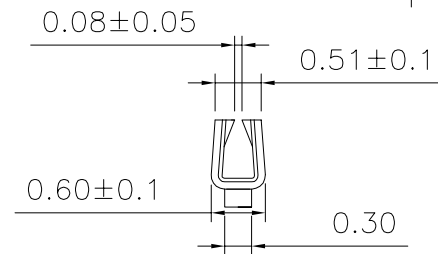
The product using material and processing must conform to the "WI-PZ-001"HSF technical standard control requirements



SEC A-A



SEC B-B



SEC C-C

- NOTE:
- MATERIAL SPECIFICATION:  
1-1.TERMINAL:PHOSPHOR BRONZE,AWG#28~#32
  - PLATING SPECIFICATION:  
2-1.TREMINAL:  
TIN OR AU PLATED ON CONTACT AREA.
  - MECHANICAL PERFORMANCE:  
2-1.INSERTION FORCE: 3.0kgf/PIN MAX  
2-2.REMOVAL FORCE: 0.35kgf/PIN MIN  
2-3.DURABILITY: 50 CYCLES.
  - ELECTRICAL PERFORMANCE:  
4-1. RATED CURRENT : 1.0A AC  
RATED VOLTAGE : 30V AC  
4-2.INSULATION RESISTANCE: 100MΩ MIN  
4-3.CONTACT RESISTANCE : 30mΩ MAX  
4-4.WITHSTANDING VOLTAGE: 200V AC
  - ENVIRONMENTAL PERFORMANCE:  
OPERATING TEMPERATURE: -25°C~+85°C.
  - PACKAGE SPEC:REEL
  - P/N:

SERIES NO: D0801 T F X-X  
CONNECTOR: T F X-X  
T-TERMINAL  
PLATING:  
1-G/F  
A-ALL AU G/F  
C-BRIGHE TIN  
D-MATTE TIN  
METAL:  
P-PHOSPHOR BRONZE  
B-BRASS  
MALE FEMALE:  
F-FEMALE  
M-MALE

REV.	REVISION RECORD	DATE		GENERAL TOLERANCES		SCALE: 1:1	NAME	DATE	PART.NO:	DWG.NO:	
A0	NEW RELEASE	21.01.13		LINEAR	ANGLES	APPROVED	Wang_jr	21.01.13	D0801TFX-X	ENDE05	
			UNIT:mm	0.00±0.25	X'±3'	DESIGNER	Han_Gao	21.01.13	TITLE:		REV: A0    SHEET: 1/1
			SIZE: A4	0.000±0.10	X'X' ±2'	DRAWN	Zijun_Huang	21.01.13	Pitch 0.80mm SUH FEMALE TERMINAL		