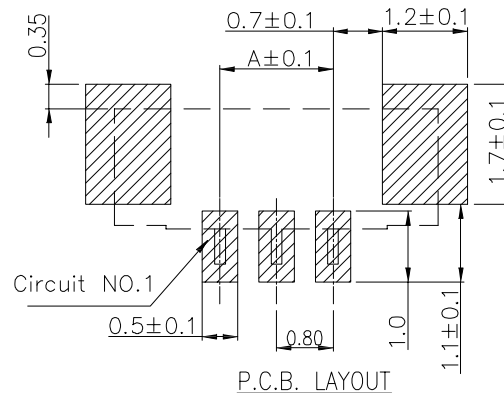
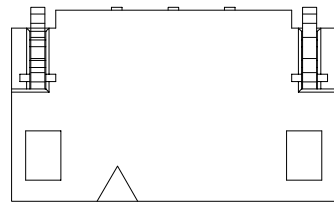


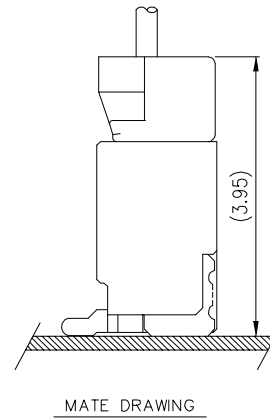
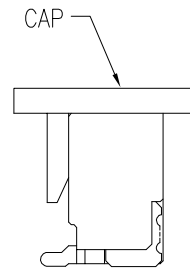
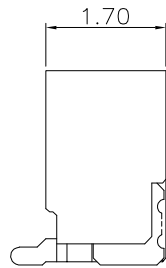
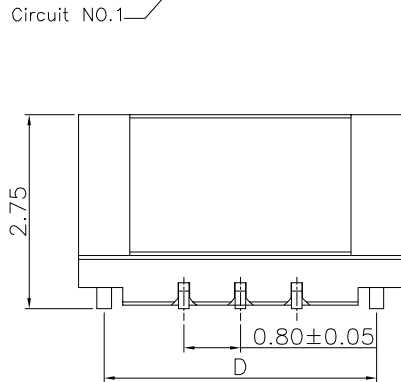
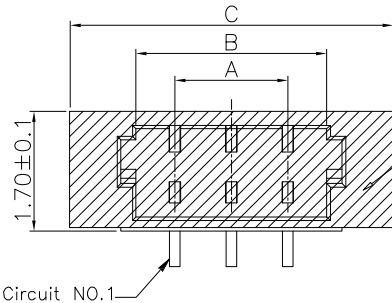
The product using material and processing must conform to the "WI-PZ-001"HSF technical standard control requirements

RoHS+HF



- NOTE:
- MATERIAL SPECIFICATION:
 - HOUSING: LCP,UL94V-0
 - CONTACTS: PHOSPHOR BRONZE
 - SOLDER TABS: PHOSPHOR BRONZE
 - PLATING SPECIFICATION:
 - CONTACTS: TIN/GOLD FLASH PLATED OVER ALL.
 - SOLDER TABS: TIN/GOLD FLASH PLATED OVER ALL.
 - ELECTRICAL PERFORMANCE:
 - CURRENT RATING: 0.5A AC/DC
RATED VOLTAGE : 30V AC/DC
 - CONTACT RESISTANCE: 30 mΩ MAX
 - INSULATION RESISTANCE: 100MΩ Min
 - DIELECTRIC WITHSTANDING : 200V
 - ENVIRONMENTAL PERFORMANCE:
 - OPERATING TEMPERATURE: -25°C~+85°C.
 - PACKAGE SPEC: REEL
 - P/N:

D0801 W 0-1 XX 2 X X 0
 SERIES NO: _____
 CONNECTOR: W-WAFER
 ANGLE: 9-90°
 0-180°
 ROW NO: 1-SINGLE ROW
 PIN Q'PY: 02~20
 COLOR: A-BLACK S-NATURE
 PLATING: A-ALL AU G/F C-BRIGHT TIN D-MATTE Tin
 TERMIPOINT: 2-SMT



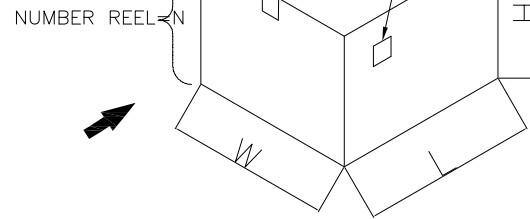
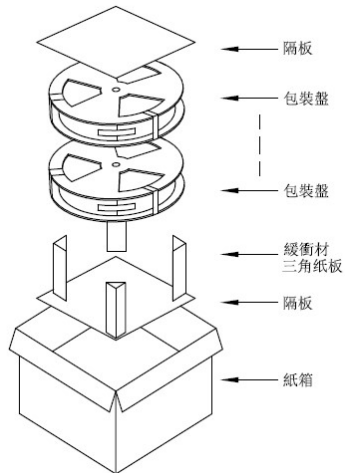
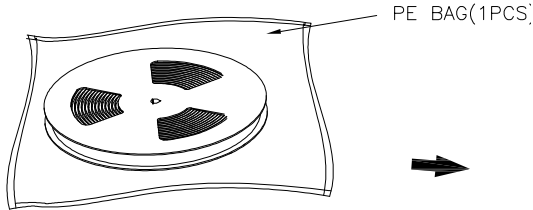
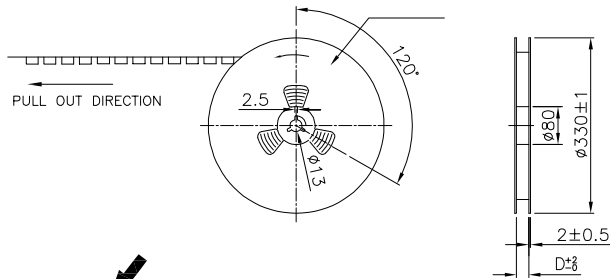
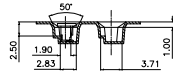
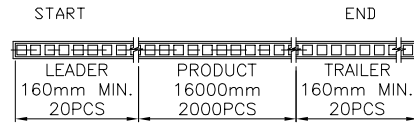
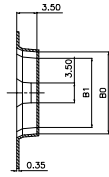
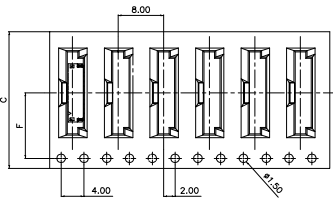
Circuit	Dimensions(mm)			
	A	B	C	D
02	0.80	1.90	3.78	3.04
03	1.60	2.70	4.58	3.84
04	2.40	3.50	5.38	4.64
05	3.20	4.30	6.18	5.44
06	4.00	5.10	6.98	6.24
07	4.80	5.90	7.78	7.04
08	5.60	6.70	8.58	7.84
09	6.40	7.50	9.38	8.64
10	7.20	8.30	10.18	9.44
11	8.00	9.10	10.98	10.24
12	8.80	9.90	11.78	11.04
13	9.60	10.70	12.58	11.84
14	10.40	11.50	13.38	12.64
15	11.20	12.30	14.18	13.44
16	12.00	13.10	14.98	14.24
17	12.80	13.90	15.78	15.04
18	13.60	14.70	16.58	15.84
19	14.40	15.50	17.38	16.64
20	15.20	16.30	18.18	17.44

产品5P以下贴Mylar, 5P及以上使用Mylar或盖子依料号编码决定。

REV.	REVISION RECORD	DATE	GENERAL TOLERANCES		SCALE:	NAME	DATE	PART.NO:	DWG.NO:	万连科技 WanLian Technology Co., Ltd
A0	NEW RELEASE	22.05.09	LINEAR	ANGLES	1:1	Wang_jr	23.09.12			
A1	PART NUMBER RENEWAL	23.09.12	0.0±0.35	X'REF±6°		Han_Gao	23.09.12	TITLE: Pitch 0.80mm SUR单排180°立贴 Wafer	REV: A1	SHEET: 1/2
			UNIT:mm	X'±3°		LanXuan_Hou	23.09.12			
			SIZE: A4	X'X' ±2°						

The product using material and processing must conform to the "WI-PZ-001"HSF technical standard control requirements

RoHS+HF



Circuit	B0	B1	F	C	D
2	4	1.8	7.5	16	16.40
3	4.80	2.60			
4	5.60	3.40			
5	6.40	4.20			
6	7.20	5.00	11.50	24	24.40
7	8.00	5.80			
8	8.80	6.60			
9	9.60	7.40			
10	10.40	8.20	11.50	24	24.40
11	11.20	9.00			
12	12.00	9.80			
13	12.80	10.60			
14	13.60	11.40			
15	14.40	12.20			
16	15.20	13.00			
17	16.00	13.80			

NOTES :
 1.CARTON SPEC. :L350 *W350 *H300mm(OUT DIM) ,
 PAPPER THICKNESS =5mm
 2.COMPONENT LOAD PER 13" REEL : 2000 PCS.

Circuit	PCS /REEL	REEL/CARTON	SUM(PCS)
2PIN~7PIN	2000	12	24000
8PIN~17PIN	2000	10	20000

REV.	REVISION RECORD	DATE	GENERAL TOLERANCES		SCALE:	NAME	DATE	PART.NO:	DWG.NO:	 WanLian Technology Co., Ltd
A0	NEW RELEASE	22.05.09	 UNIT:mm SIZE: A4	LINEAR	1:1			D0801W0-1XX2XX0	ENDE05	
A1	PART NUMBER RENEWAL	23.09.12		ANGLES	APPROVED	Wang_jr	23.09.12			
			0.00±0.25	X'±3'	DESIGNER	Han_Gao	23.09.12	TITLE: PACKAGE SPEC		
			0.000±0.10	X'X' ±2'	DRAWN	LanXuan_Hou	23.09.12			REV: A1