

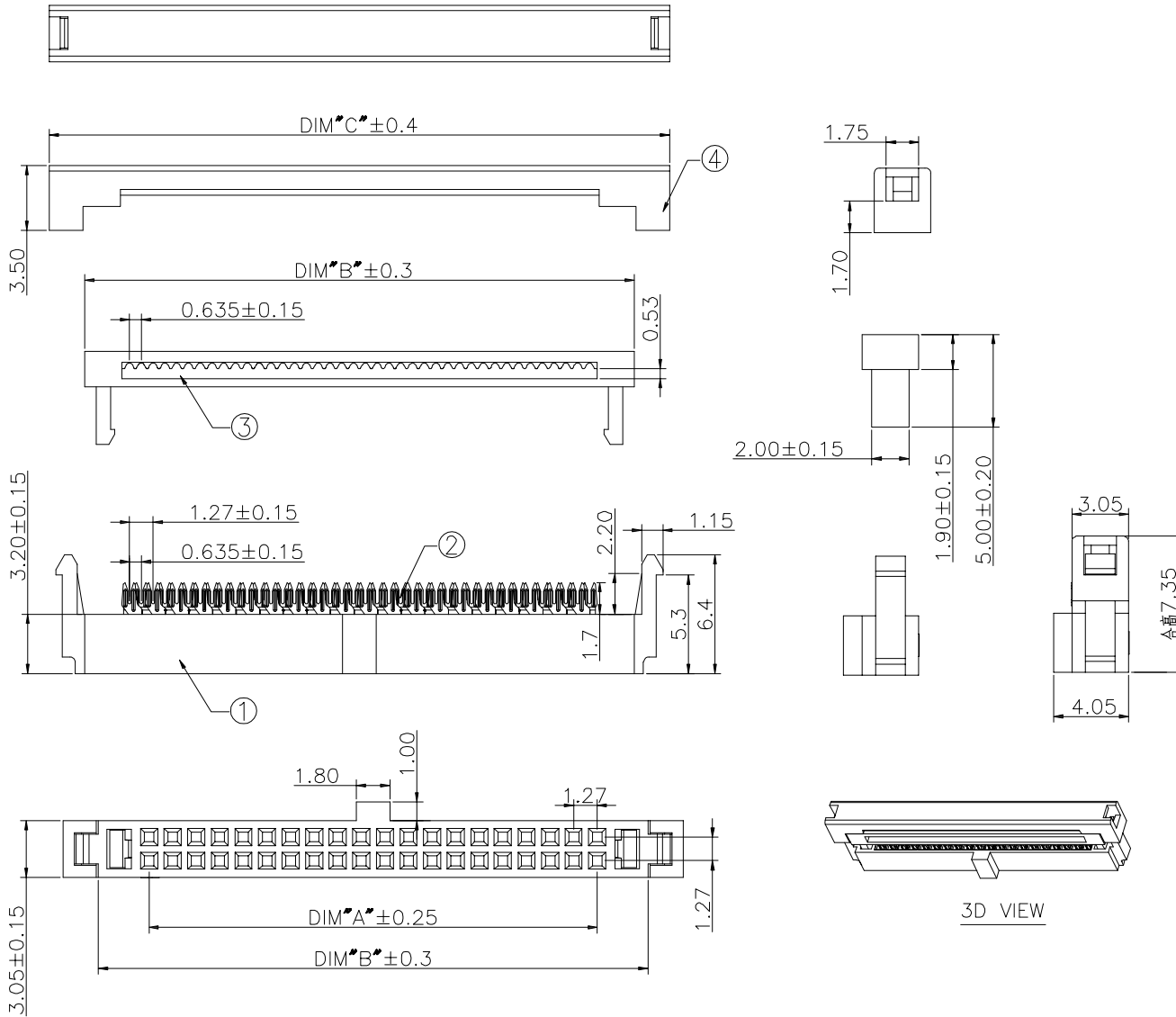
The product using material and processing must conform to the "WL-PZ-001" HSF technical standard control requirements

RoHS

NOTE:
 1.MATERIAL SPECIFICATION:
 1-1.HOUSING: UL94V-0
 1-2.CONTACTS: PHOSPHOR BRONZE
 2.PLATING SPECIFICATION:
 2-1.CONTACTS:
 TIN/GOLD FLASH PLATED OVER ALL.
 3.ELECTRICAL PERFORMANCE:
 3-1.CURRENT RATING: 1A AC/DC
 RATED VOLTAGE : 250V AC/DC
 3-2.CONTACT RESISTANCE: 20 mΩ MAX
 3-3.INSULATION RESISTANCE: 100MΩ Min
 3-4.DIELECTRIC WITHSTANDING : 500V
 4.ENVIRONMENTAL PERFORMANCE:
 4-1.OPERATING TEMPERATURE: -40°C~+105°C.
 5.PACKAGE SPEC: TRAY
 6.P/N:
 D12740 M 0-2 XX 6 X X X
 SERIES NO:
 HOUSING:
 1-PBT 2-PA6T
 3-PA9T 4-LCP
 COLOR:
 A-BLACK
 K-WHITE
 S-NATURE
 PLATING:
 A-ALL AU G/F
 C-BRIGHE TIN
 1-G/F
 TERMPOINT:
 6-PUNCTURED TYPE
 MALE FEMALE:
 M-MALE
 ANGLE:
 9-90°
 0-180°
 ROW NO:
 2-DOUBLE ROW
 PIN Q'PY:
 06~80

Ordering Information & Dimensions

Poles	Dimensions(mm)			Poles	Dimensions(mm)		
	A	B	C		A	B	C
06	2.54	8.00	11.80	36	21.59	27.05	30.85
08	3.81	9.27	13.07	40	24.13	29.59	33.39
10	5.08	10.54	14.34	44	26.67	32.13	35.93
12	6.35	11.81	15.61	50	30.48	35.94	39.74
14	7.62	13.08	16.88	60	36.83	42.29	46.09
16	8.89	14.35	18.15	64	39.37	44.83	48.63
20	11.43	16.89	20.69	66	40.64	46.10	49.90
24	13.97	19.43	23.23	68	41.91	47.37	51.17
26	15.24	20.70	24.50	70	43.18	48.64	52.44
30	19.05	23.24	27.04	74	45.72	51.18	54.98
32	17.78	24.51	28.31	76	46.99	52.45	56.25
34	20.32	25.78	29.58	80	49.53	54.99	58.79



REV.	REVISION RECORD	DATE	UNIT:mm	GENERAL TOLERANCES		SCALE: 1:1	NAME	DATE	PART.NO: D12740M0-2XX6XXX	DWG.NO: ENDE05	TITLE: Pitch 1.27mm 180° 双排 IDC
AO	NEW RELEASE	22.05.09		LINEAR	ANGLES	APPROVED	Wang_jr	22.05.09			
				0.0±0.35	X°REF±6°		Han_Gao	22.05.09			
				0.00±0.25	X°±3°		LanXuan_Hou	22.05.09			
			SIZE: A4	0.000±0.10	X°X° ±2°						

万连科技
 WanLian Teconology Co., Ltd
 REV: A0 SHEET: 1/1