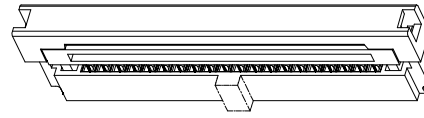


The product using material and processing must conform to the "WL-PZ-001" HSF technical standard control requirements

RoHS



3D VIEW

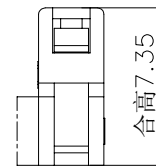
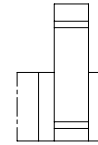
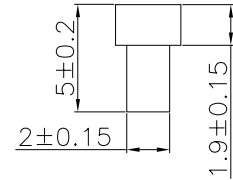
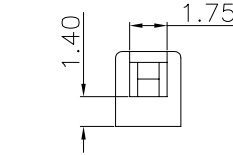
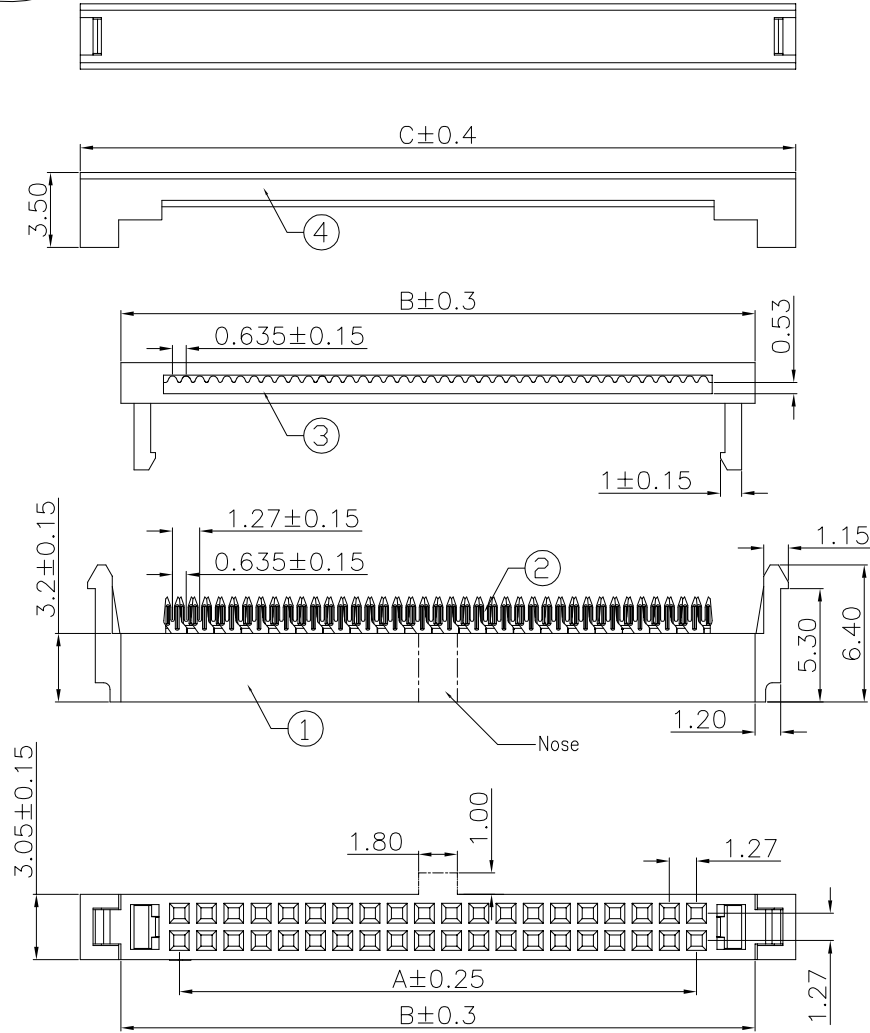
- NOTE:
- 1.MATERIAL SPECIFICATION:
 - 1-1.HOUSING: PBT,UL94V-0
 - 1-2.CONTACTS: PHOSPHOR BRONZE
 - 2.PLATING SPECIFICATION:
 - 2-1.CONTACTS: TIN/GOLD FLASH PLATED OVER ALL.
 - 3.MECHANICAL PERFORMANCE:
 - 3-1.DURABILITY: 30 CYCLES.
 - 4.ELECTRICAL PERFORMANCE:
 - 4-1.CURRENT RATING: 1A AC/DC
RATED VOLTAGE : 250V AC/DC
 - 4-2.CONTACT RESISTANCE: 20 mΩ MAX
 - 4-3.INSULATION RESISTANCE: 100MΩ Min
 - 4-4.DIELECTRIC WITHSTANDING : 500V
 - 5.ENVIRONMENTAL PERFORMANCE:
 - 5-1.OPERATING TEMPERATURE: -40°C~+105°C.
 - 6.PACKAGE SPEC: TRAY
 - 7.P/N:

D12743 M 0-2 XX 6 X X X
 SERIES NO:
 MALE FEMALE:
 M-MALE
 ANGLE:
 0-180°
 ROW NO:
 2-DOUBLE ROW
 PIN Q'PY:
 06~80
 HOUSING:
 1-PBT
 COLOR:
 A-BLACK
 S-NATURE
 PLATING:
 A-ALL AU G/F
 C-BRIGHT TIN
 TERMIPOINT:
 6-Punctured type

NO.	NAME	MATERIAL	FINISH	Q'TY
1	HOUSING	PBT+GF(UL94V-0)	BLACK	1
2	CONTACTS	PHOSPHOR BRONZE T=0.15	GOLD PLATED OVER NICKEL	PINS
3	COVER	PBT+GF(UL94V-0)	BLACK	1
4	SR	PBT+GF(UL94V-0)	BLACK	1

Ordering Information & Dimensions

Circuit	Dimensions(mm)			Circuit	Dimensions(mm)			Circuit	Dimensions(mm)		
	A	B	c		A	B	c		A	B	c
06	2.54	8.00	11.80	26	15.24	20.70	24.50	60	36.83	42.29	46.09
08	3.81	9.27	13.07	30	17.78	23.24	28.31	64	39.37	44.83	48.63
10	5.08	10.54	14.34	32	19.05	24.51	27.04	66	40.64	46.10	49.90
12	6.35	11.81	15.61	34	20.32	25.78	29.58	68	41.91	47.37	51.17
14	7.62	13.08	16.88	36	21.59	27.05	30.85	70	43.18	48.64	52.44
16	8.89	14.35	18.15	40	24.13	29.59	33.39	74	45.72	51.18	54.98
20	11.43	16.89	20.69	44	26.67	32.13	35.93	76	46.99	52.45	56.25
24	13.97	19.43	23.23	50	30.48	35.94	39.74	80	49.53	54.99	58.79



REV.	REVISION RECORD	DATE	UNIT:mm	GENERAL TOLERANCES		SCALE: 1:1	NAME	DATE	PART.NO: D12743M0-2XX6XXX	DWG.NO: ENDE05	 WanLian Technology Co., Ltd
AO	NEW RELEASE	22.10.28		LINEAR	ANGLES	APPROVED					
			0.00±0.25	X'±3'	DESIGNER	Han_Gao	22.10.28	TITLE: Pitch 1.27mm 180° 双排 DIP 公座 有鼻 (3件套) 反扣	REV: A0	SHEET: 1/1	
			0.00±0.10	X'X' ±2'	DRAWN	LanXuan_Hou	22.10.28				