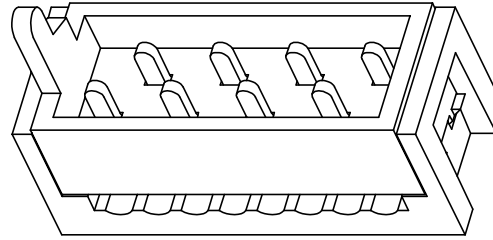
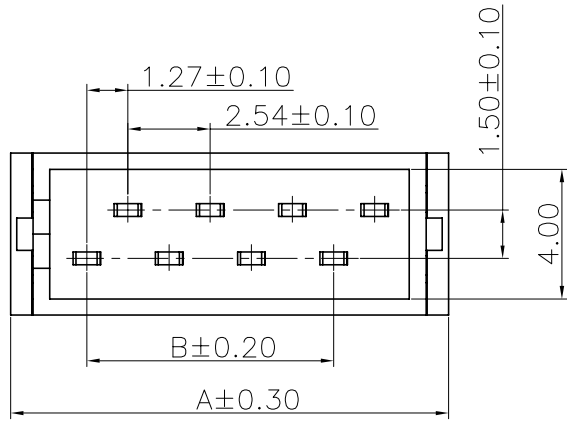
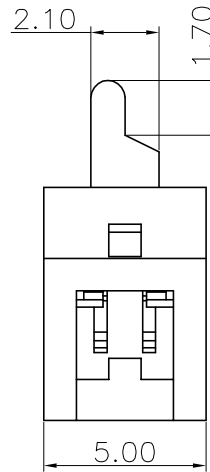
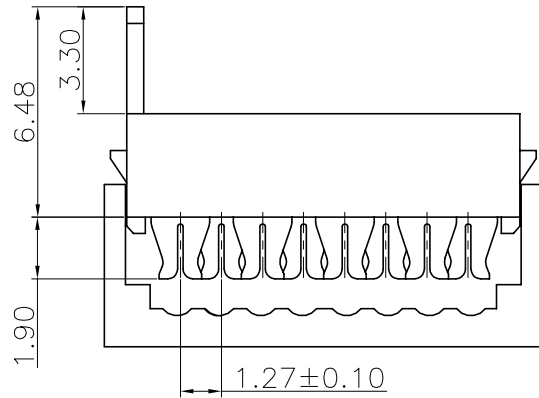


The product using material and processing must conform to the "WL-PZ-001"HSF technical standard control requirements

RoHS



3D VIEW



- NOTE:
- MATERIAL SPECIFICATION:
 - HOUSING: UL94V-0
 - CONTACTS: BRASS
 - PLATING SPECIFICATION:
 - CONTACTS: TIN/GOLD FLASH PLATED OVER ALL.
 - MECHANICAL PERFORMANCE:
 - RETENTIVITY FORCE: 0.5KGF/pin min
 - DURABILITY: 30 CYCLES.
 - ELECTRICAL PERFORMANCE:
 - CURRENT RATING: 1A AC/DC
RATED VOLTAGE : 250V AC/DC
 - CONTACT RESISTANCE: 20 mΩ MAX
 - INSULATION RESISTANCE: 1000MΩ Min
 - DIELECTRIC WITHSTANDING : 1000V
 - Wire Range:AWG#28~32.
 - ENVIRONMENTAL PERFORMANCE:
 - OPERATING TEMPERATURE: -40°C~+105°C.
 - PACKAGE SPEC: TUBE
 - P/N:

SERIES NO: D12751 F 0-2 XX 6 X X X

MALE FEMALE: F-FEMALE

ANGLE: 9-90°
0-180°

ROW NO: 2-DOUBLE ROW

PIN Q'PY: 04~26

HOUSING:
1-PBT 2-PA6T
3-PA9T 4-LCP

COLOR:
A-BLACK
K-WHITE
C-RED

PLATING:
A-ALL AU G/F
C-BRIGHE TIN
D-MATTE Tin

TERMIPOINT:
6-PUNCTURED TYPE

Ordering Information & Dimensions

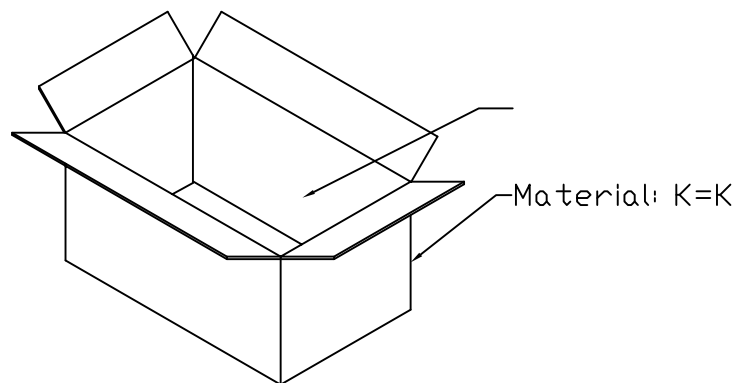
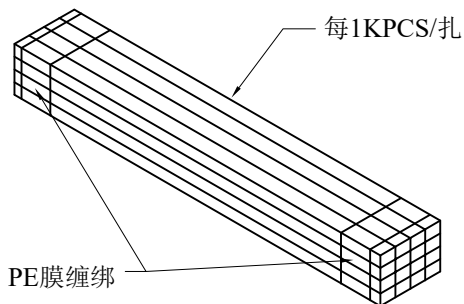
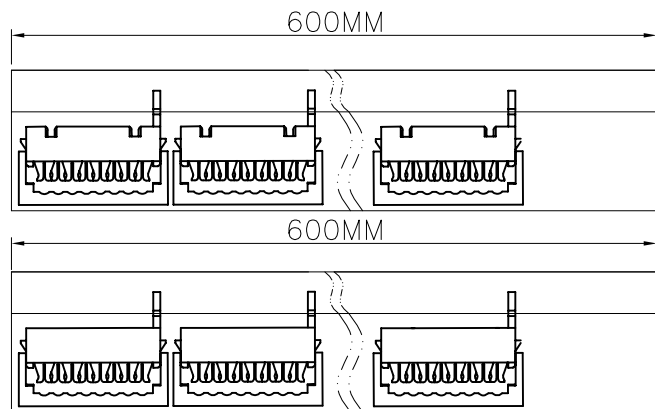
Part No.	Dimensions(mm)		Part No.	Dimensions(mm)	
	A	B		A	B
2*02P	8.45	2.54	2*08P	23.69	17.78
2*03P	10.99	5.08	2*09P	26.23	20.32
2*04P	13.53	7.62	2*10P	28.77	22.86
2*05P	16.07	10.16	2*11P	31.31	25.40
2*06P	18.61	12.70	2*12P	33.85	27.94
2*07P	21.15	15.24	2*13P	36.39	30.48

REV.	REVISION RECORD	DATE	UNIT:mm	GENERAL TOLERANCES		SCALE:	NAME	DATE	PART.NO:	DWG.NO:	 WanLian Teconology Co., Ltd	
AO	NEW RELEASE	21.11.17		LINEAR	ANGLES	1:1						APPROVED
			0.00±0.25	X'±3'		DESIGNER	Han_Gao	21.11.17	D12751F0-2XX6XXX	ENDE05		
			0.00±0.10	X'X' ±2'		DRAWN	Zijun_Huang	21.11.17				Pitch 1.27mm 180° 双排 DIP ID 母座

The product using material and processing must conform to the "WL-PZ-001"HSF technical standard control requirements

RoHS

IDC 管装图



注意事项:

- 管子材质: 透明硬质环保PVC;
- 厚度: 0.40mm;
- 管子: 12.6*6.6*600mm (单重14.7g);
- 包装管两头含白色软塞.
- 纸箱: 64*11*17CM (单重327g)

1.145	1.15	15	2X13P
1.055	1.06	16	2X12P
0.965	0.97	17	2X11P
0.90	0.90	20	2X10P
0.82	0.83	21	2X9P
0.74	0.75	24	2X8P
0.65	0.655	27	2X7P
0.57	0.575	31	2X6P
0.485	0.49	35	2X5P
0.41	0.418	42	2X4P
0.32	0.33	51	2X3P
0.25	0.251	67	2X2P
有缺单重 (g)	无缺单重 (g)	PCS/LAMP	P0S

REV.	REVISION RECORD	DATE		GENERAL TOLERANCES		SCALE: 1:1	NAME	DATE	PART.NO:	DWG.NO:	
AO	NEW RELEASE	21.11.17		LINEAR	ANGLES	1:1	Wang_jr	21.11.17	D12751F0-2XX6XXX	ENDE05	
			0.0±0.35	X'REF±6'	DESIGNER	Han_Gao	21.11.17	TITLE:		Pitch 1.27mm 180° 双排 DIP ID 母座 包规图 REV: A0 SHEET: 2/2	
			UNIT:mm	X'±3'	DRAWN	Zijun_Huang	21.11.17				
			SIZE: A4	0.000±0.10	X'X' ±2'						