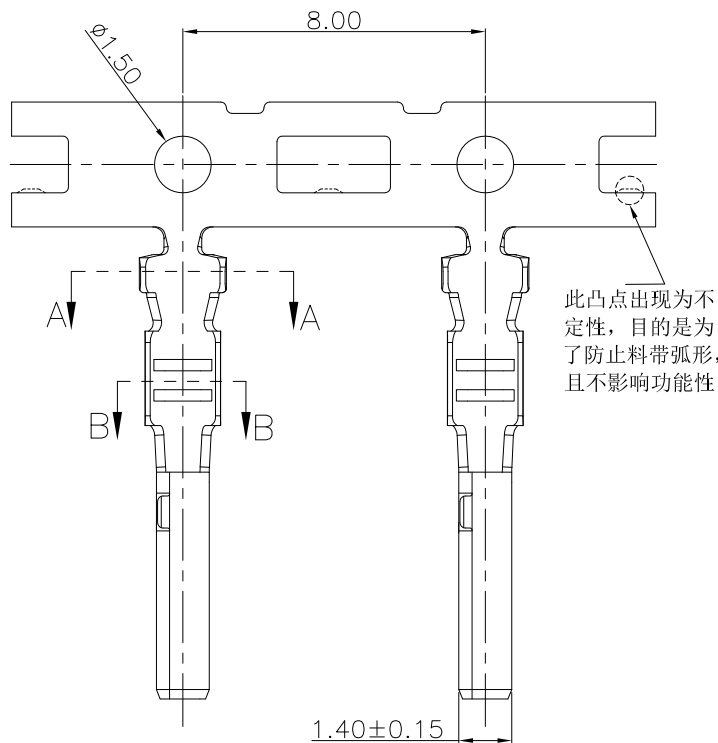
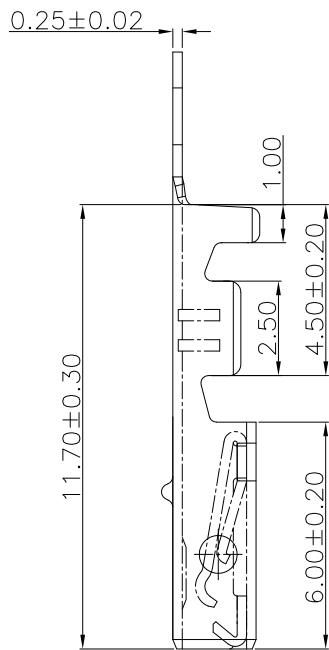


The product using material and processing must conform to the "WL-PZ-001" HSF technical standard control requirements

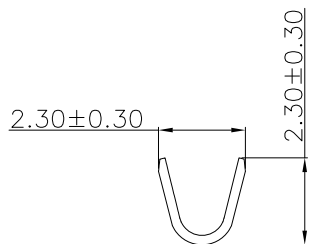
RoHS



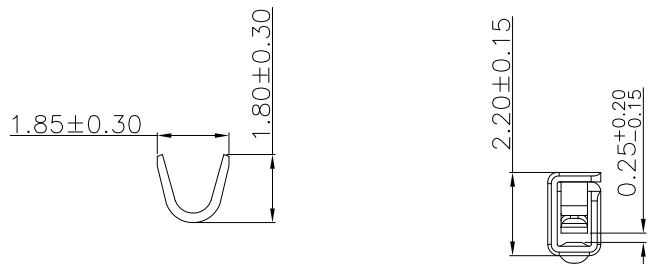
此凸点出现为不定性, 目的是为了  
防止料带弧形, 且不影响功能性

NOTE:

- 1.MATERIAL SPECIFICATION:
    - 1-1.Terminal: Phosphor Bronze
  - 2.PLATING SPECIFICATION:
    - 2-1.Terminal: TIN/GOLD FLASH PLATED OVER ALL.
  - 3.MECHANICAL PERFORMANCE:
    - 3-1.RETENTIVITY FORCE: 1.2KGF/pin min
    - 3-2.DURABILITY: 30 CYCLES.
  - 4.ELECTRICAL PERFORMANCE:
    - 4-1.CURRENT RATING: 3A AC/DC  
RATED VOLTAGE : 100V AC/DC
    - 4-2.CONTACT RESISTANCE: 10 mΩ MAX
    - 4-3.INSULATION RESISTANCE: 1000MΩ Min
    - 4-4.DIELECTRIC WITHSTANDING : 1000V
  - 5.ENVIRONMENTAL PERFORMANCE:
    - 5-1.OPERATING TEMPERATURE: -25°C~+85°C.
  - 6.PACKAGE SPEC : REEL
  - 7.P/N: C2004 T F X-X
- SERIES NO: \_\_\_\_\_ PLATING:  
 A-ALL AU G/F  
 C-BRIGHE TIN  
 D-MATTE TIN
- CONNECTOR: \_\_\_\_\_ METAL:  
 T-TERMINAL P-PHOSPHOR BRONZE  
 B-BRASS
- MALE FEMALE: \_\_\_\_\_



SECTION:A-A



SECTION:B-B

REV.	REVISION RECORD	DATE		GENERAL TOLERANCES		SCALE: 1:1	NAME	DATE	PART.NO:	DWG.NO:	 WanLian Teconology Co., Ltd
A0	NEW RELEASE	21.11.17		LINEAR	ANGLES	APPROVED	Wang_jr	21.11.17	C2004TFX-X	ENDE05	
			UNIT:mm	0.00±0.25	X°±3°	DESIGNER	Han_Gao	21.11.17	TITLE:		REV: A0 SHEET: 1/1
			SIZE: A4	0.000±0.10	X°X' ±2°	DRAWN	Zijun_Huang	21.11.17	Pitch2.00mm JWPF线对线无LOGO母端子 AWG22#-26#		