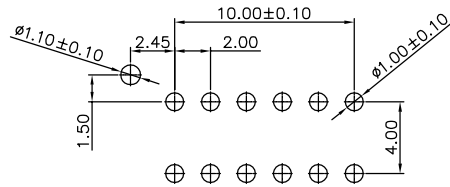
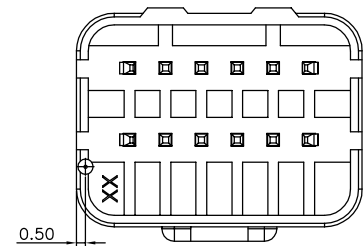
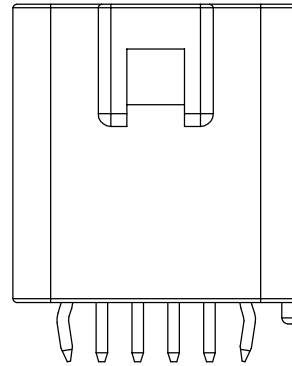
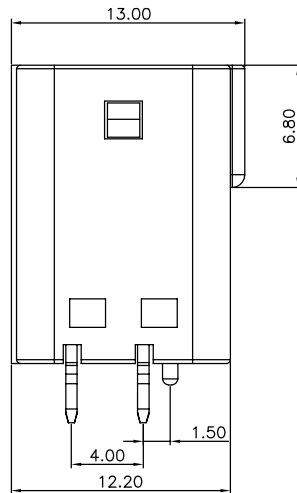
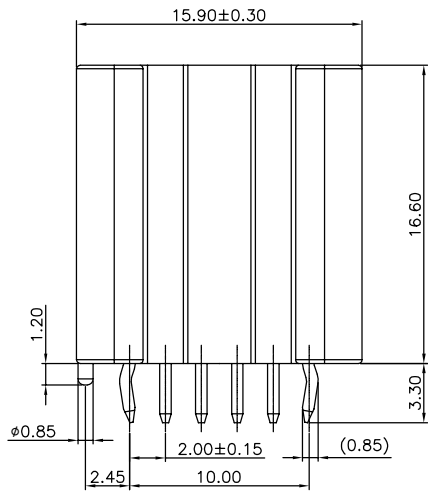
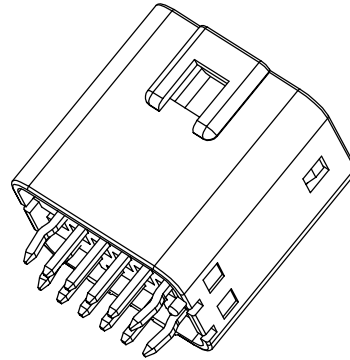
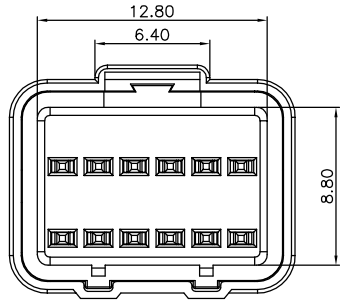


The product using material and processing must conform to the "WI-PZ-001" HSF technical standard control requirements

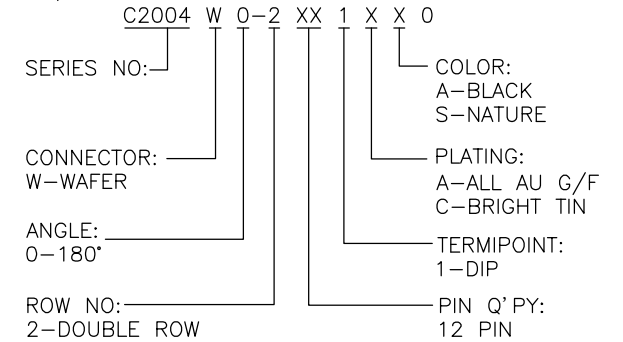
RoHS



RECOMMENDED PCB LAYOUT
(GENERAL TOLERANCE: ±0.05)

NOTE:

1. MATERIAL SPECIFICATION:
 - 1-1. HOUSING: PBT, UL94V-0
 - 1-2. CONTACTS: BRASS
2. PLATING SPECIFICATION:
 - 2-1. CONTACTS: TIN/AU PLATED OVER ALL.
3. ELECTRICAL PERFORMANCE:
 - 3-1. CURRENT RATING: 3A AC/DC
 - 3-2. CONTACT RESISTANCE: 20 mΩ MAX
 - 3-3. INSULATION RESISTANCE: 1000MΩ Min
 - 3-4. DIELECTRIC WITHSTANDING: 1000V
4. ENVIRONMENTAL PERFORMANCE:
 - 4-1. OPERATING TEMPERATURE: -40°C~+105°C.
5. PACKAGE SPEC:
6. P/N:



REV.	REVISION RECORD	DATE		GENERAL TOLERANCES		SCALE:	NAME	DATE	PART.NO:	DWG.NO:	 WanLian Technology Co., Ltd
AO	NEW RELEASE	22.03.19		LINEAR	ANGLES	1:1	APPROVED	Wang_jr	22.03.19	C2004W0-2XX1XX0	
			UNIT: mm	0.00±0.25	X'±3'	CHECK	XueZe_Ma	22.03.19	TITLE:		REV: A0
			SIZE: A4	0.000±0.10	X'X' ±2'	DRAWN	LanXuan_Hou	22.03.19	Pitch2.00mm 180° 双排带柱防水IP67 打外K Wafer		