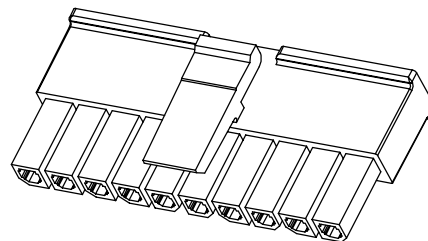
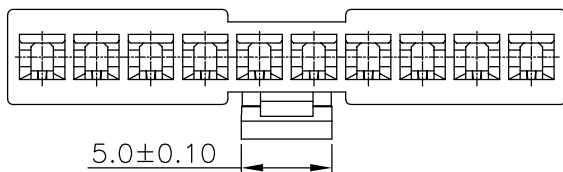
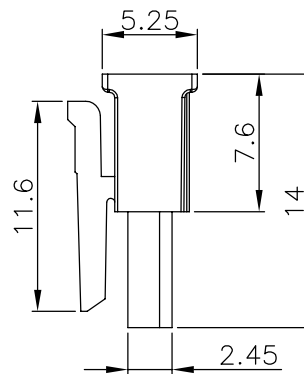
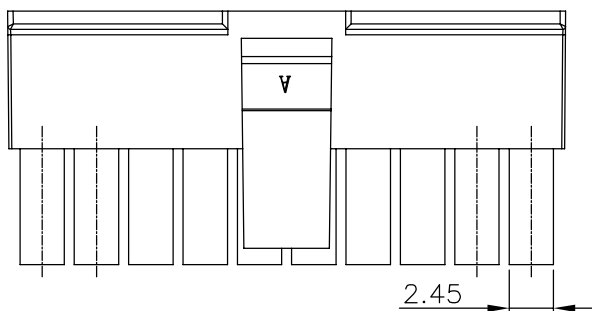
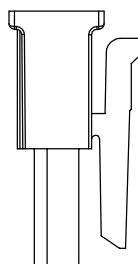


The product using material and processing must conform to the "WI-PZ-142"HSF technical standard control requirements

RoHS



NOTE:
 1.MATERIAL SPECIFICATION:
 1-1.HOUSING: NYLON66 UL94V-0(2),
 2.ELECTRICAL PERFORMANCE:
 2-1.INSULATION RESISTANCE: 1000MΩ MIN
 2-2.WITHSTANDING VOLTAGE: 1000V AC/minute
 3.ENVIRONMENTAL PERFORMANCE:
 OPERATING TEMPERATURE: -25°C~+105°C.
 4.PART.NO:



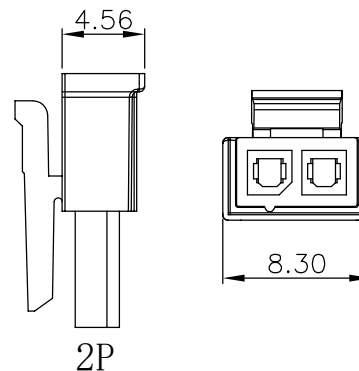
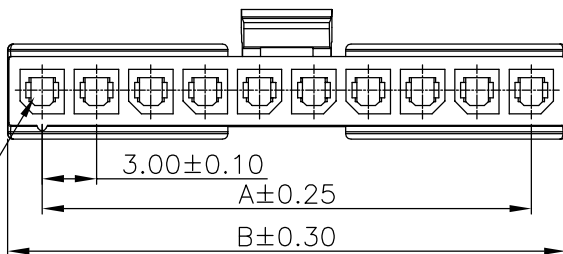
C3030 H M-1 XX X X Δ
 SERIES NO: H M-1 XX X X
 CONNECTOR: H M-1
 H-HOUSING
 MALE FEMALE: M-1
 M-MALE
 ROW NO: XX X X
 1-SINGLE ROW
 HOUSING:
 1-UL94V-0
 2-UL94V-2
 COLOR:
 A-BLACK
 S-NATURE
 PIN Q'PY:
 02~12

3P以上


Ordering Information & Dimensions

Circuit	Dimensions(mm)		Circuit	Dimensions(mm)	
	A	B		A	B
02	3.00	8.30	08	21.00	24.80
03	6.00	9.80	09	24.00	27.80
04	9.00	12.80	10	27.00	30.80
05	12.00	15.80	11	30.00	33.80
06	15.00	18.80	12	33.00	36.80
07	18.00	21.80			

Circuit 1

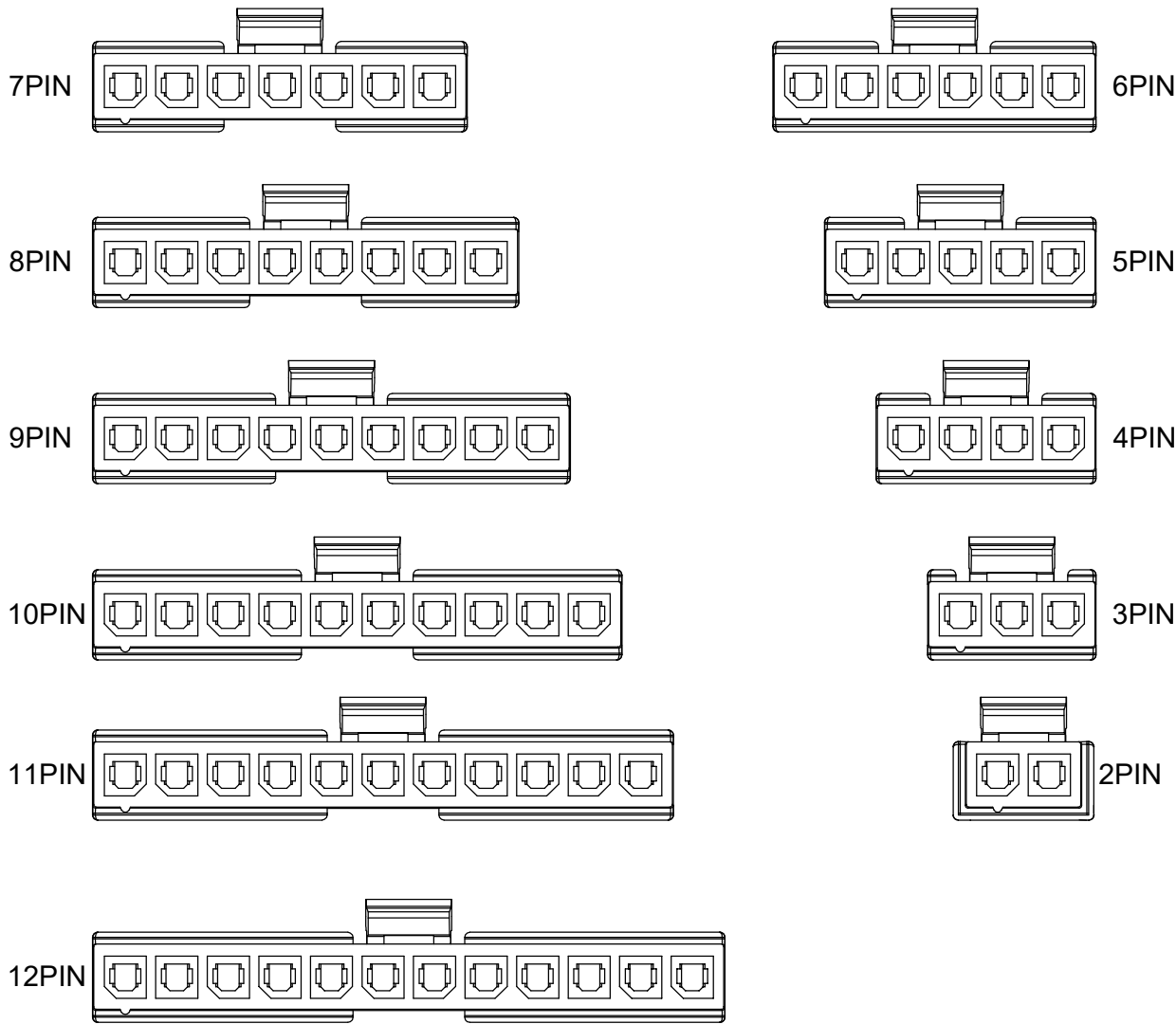


2P

REV.	REVISION RECORD	DATE	UNIT:mm	GENERAL TOLERANCES		SCALE: 1:1	NAME	DATE	PART.NO:	DWG.NO:	 WanLian Technology Co., Ltd
A0	NEW RELEASE	21.01.13		LINEAR	ANGLES	APPROVED	Wang_jr	23.06.26	C3030HM-1XXXX	ENDE05	
A1	TEMPERATURE CHANGE	23.06.26	0.00±0.25	X'±3'	DESIGNER	Ding_bo	23.06.26	TITLE: 3.0mm Crimp Style connectors		REV: A1	SHEET: 1/3
			SIZE: A4	0.000±0.10	X'X' ±2'	DRAWN	LX_HOU	23.06.26			

The product using material and processing must conform to the "WI-PZ-142"HSF technical standard control requirements

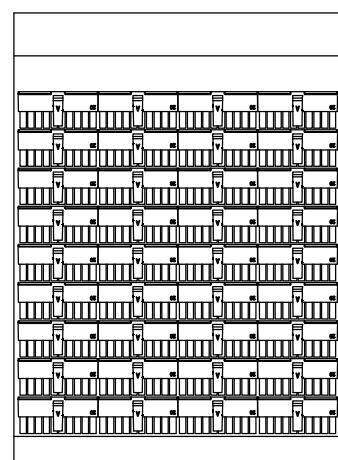
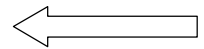
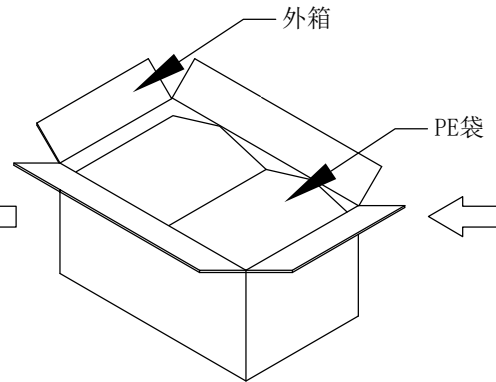
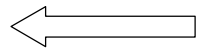
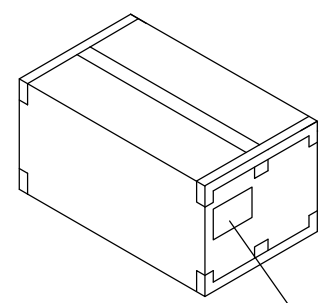
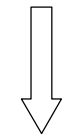
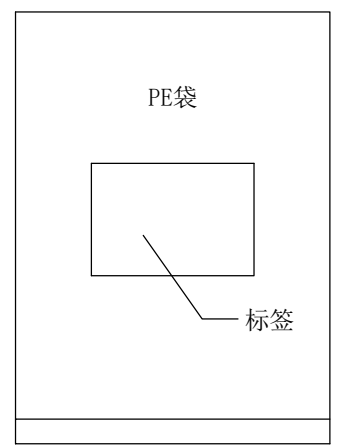
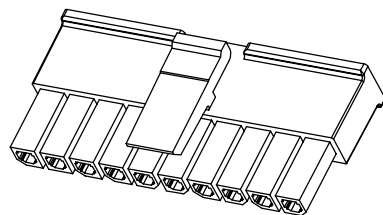
RoHS



REV.	REVISION RECORD	DATE		GENERAL TOLERANCES		SCALE: 1:1	NAME	DATE	PART.NO: C3030HM-1XXXX	DWG.NO: ENDE05	 WanLian Technology Co., Ltd	
A0	NEW RELEASE	21.01.13		LINEAR	ANGLES	APPROVED	Wang_jr	23.06.26				
A1	TEMPERATURE CHANGE	23.06.26	UNIT:mm	0.00±0.25	X'±3'	DESIGNER	Ding_bo	23.06.26	TITLE: 3.0mm Crimp Style connectors	REV: A1		SHEET: 2/3
			SIZE: A4	0.000±0.10	X'X' ±2'	DRAWN	LX_HOU	23.06.26				

The product using material and processing must conform to the "WI-PZ-142"HSF technical standard control requirements

RoHS



纸箱规格:465*315*426MM

注意事项:

1. 产品不可少数、多数;
2. 内外包装均需有数量标签;
3. 不同PIN位包装时须分开放置不可装入同一外箱中。
4. 同一订单尾数包装需用不影响品质之物品填充并注明尾数。

Circuit	Bag Pcs	CARTON Bag	CARTON Pcs
02	1K	30	30K
03	1K	30	30K
04	1K	25	25K
05	1K	20	20K
06	1K	20	20K
07	1K	20	20K
08	1K	20	20K
09	1K	10	10K
10	1K	8	8K
11	1K	8	8K
12	1K	8	8K

REV.	REVISION RECORD	DATE		GENERAL TOLERANCES		SCALE: 1:1	NAME	DATE	PART.NO: C3030HM-1XXXX	DWG.NO: ENDE05	 WanLian Technology Co., Ltd
A0	NEW RELEASE	21.01.13		LINEAR	ANGLES	APPROVED	Wang_jr	23.06.26			
A1	TEMPERATURE CHANGE	23.06.26	UNIT:mm	0.00±0.25	X'±3'	DESIGNER	Ding_bo	23.06.26	TITLE: 3.0mm Crimp Style connectors	REV: A1	SHEET: 3/3
			SIZE: A4	0.000±0.10	X'X' ±2'	DRAWN	LX_HOU	23.06.26			