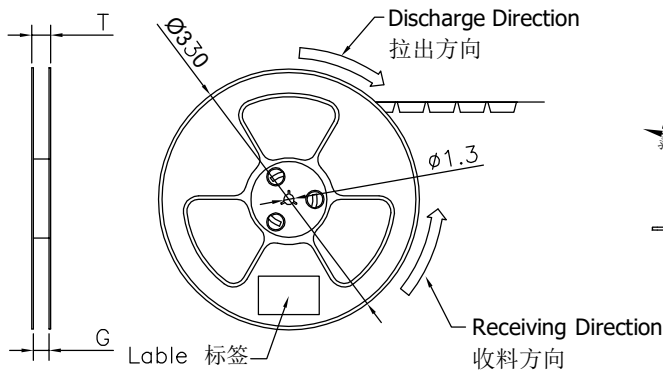
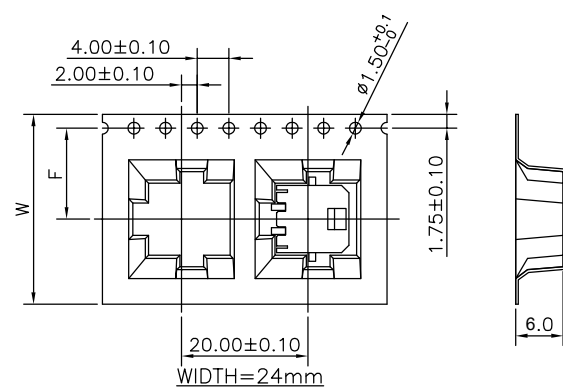
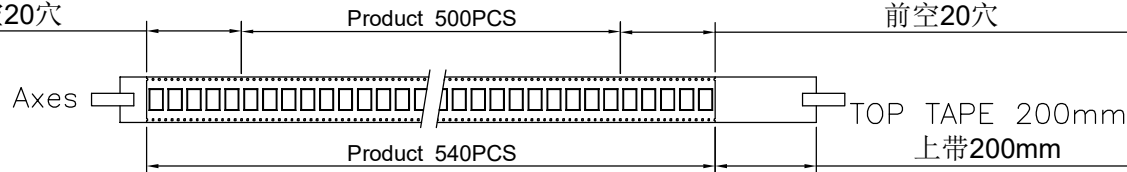


The product using material and processing must conform to the "WI-PZ-142"HSF technical standard control requirements

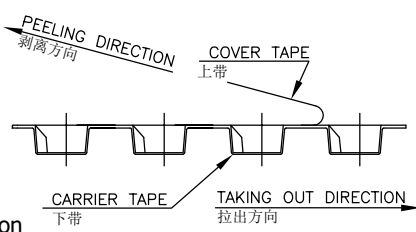
RoHS+HF

Empty 20Holes
空20穴

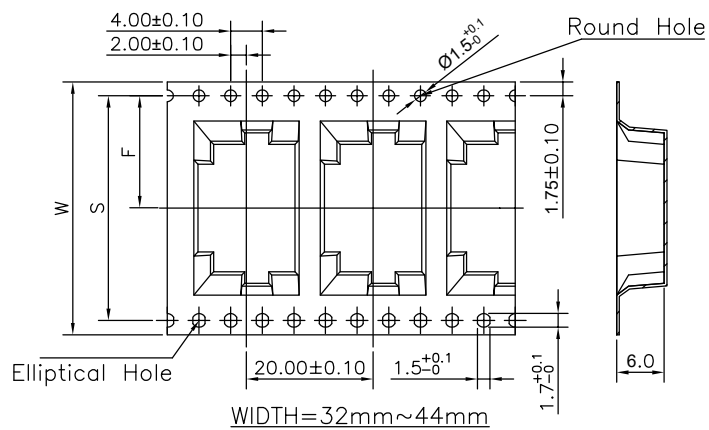
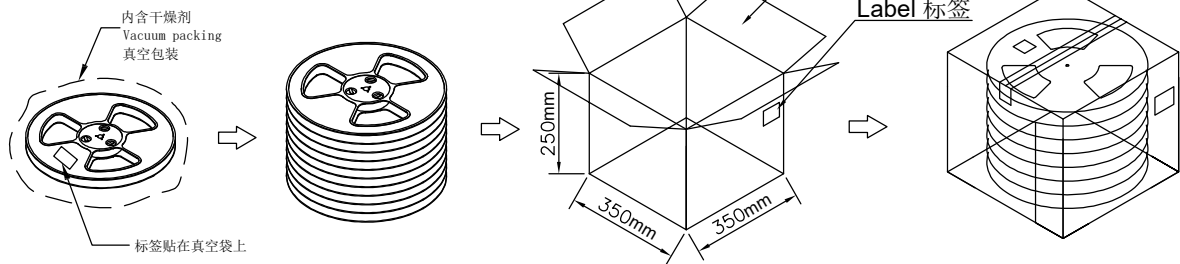
Leader Part Empty 16Holes
前空20穴



COVER TAPE PEEL STRENGTH:20~120g
上带剥离力量: 20~120g
速度 PEEL SPEED:300mm/minute



Single hole: None Hole Side
单孔: 贴无链孔侧
Double hole: Elliptical Hole Side
双孔: 贴椭圆孔侧



Circuit	W	S	F	T	G	REEL /PCS	CARTON /R	CARTON /PCS
02	24	/	11.50	27.0	25.4	500	9	4500
03	32	28.4	14.20	35.0	33.4	500	7	3500
04								
05								
06	44	40.4	20.20	48.5	44.4	500	5	2500
07								
08								
09								
10	56	48.4	24.2	60.5	56.4	500	4	2000
11								
12								

- Note:**
- Carrier Camber Is Within 1mm In 100mm ; 带长100mm内容许弯曲度1mm
 - 10 Sprocket Hole Pitch Cumulative Tolerance±0.2MM ; 圆孔十个孔距离累计允许公差为±0.2mm
 - Carrier tape material for PS ; 下带材质为PS材质; Color颜色: Black黑色
 - Thickness=0.40±0.05 ; 材料厚度为0.40±0.05mm

REV.	REVISION RECORD	DATE	UNIT:mm	GENERAL TOLERANCES		SCALE:	NAME	DATE	PART.NO: C3030W91-1XX2XX0	DWG.NO: ENDE05	TITLE: 3.00mm Crimp Style connectors	REV: A3	SHEET: 2/2
A0	NEW RELEASE	21.01.13		LINEAR	ANGLES	1:1	APPROVED	Wang_jr					
A1	增加孔位图, 更新尺寸表DIM A 尺寸	23.03.17	0.0±0.35	X'REF±6'	DESIGNER	Ding_bo	23.09.14						
A2	TEMPERATURE CHANGE	23.06.26	0.00±0.25	X'±3'	DRAWN	LX_HOU	23.09.14						
A3	PART NUMBER RENEWAL	23.09.14	0.000±0.10	X'X'±2'									

