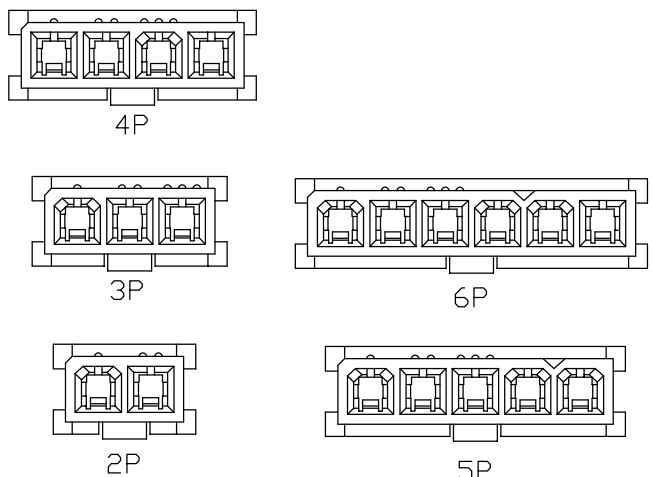


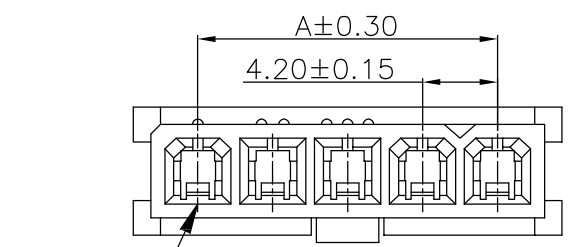
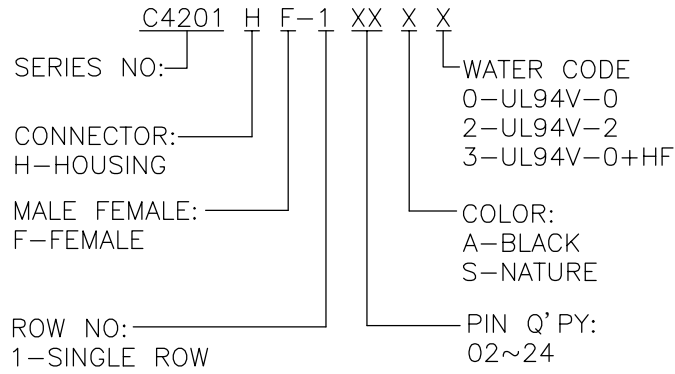
The product using material and processing must conform to the "WI-PZ-001" HSF technical standard control requirements

RoHS

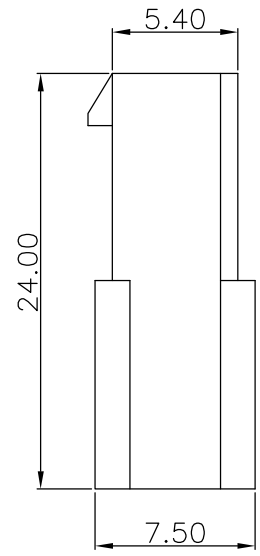
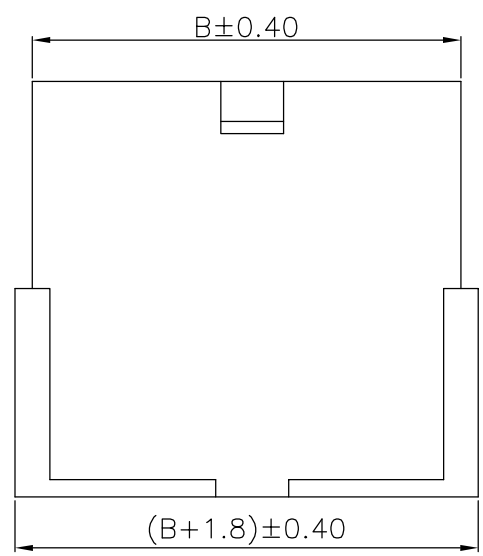


VERTICAL VIEW 0.8:1

- NOTE:
- MATERIAL SPECIFICATION:
 - HOUSING: PA66
 - ELECTRICAL PERFORMANCE:
 - INSULATION RESISTANCE: 1000MΩ Min
 - DIELECTRIC WITHSTANDING : 1500V
 - ENVIRONMENTAL PERFORMANCE:
 - OPERATING TEMPERATURE: -25°C~+85°C.
 - PACKAGE SPEC: PE BAG
 - P/N:



Circuit 1



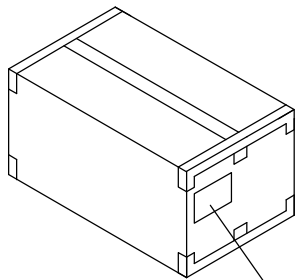
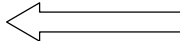
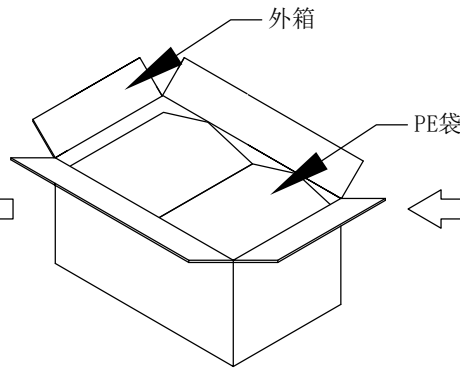
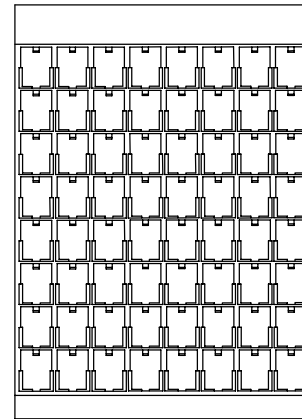
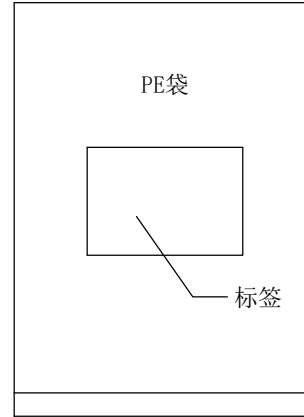
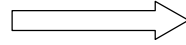
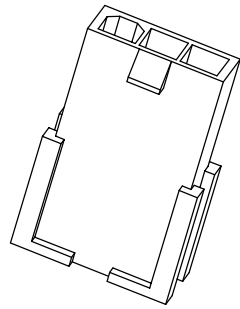
Circuit	Dimensions (mm)		Circuit	Dimensions (mm)	
	A	B		A	B
02	4.20	9.80	08	29.40	35.00
03	8.40	14.00	09	33.60	39.20
04	12.60	18.20	10	37.80	43.40
05	16.80	22.40	11	42.00	47.60
06	21.00	26.60	12	46.20	51.80
07	25.20	30.80			

REV.	REVISION RECORD	DATE	GENERAL TOLERANCES		SCALE:	NAME	DATE	PART.NO:	DWG.NO:	 WanLian Technology Co., Ltd
A0	NEW RELEASE	21.11.17	LINEAR	ANGLES	1:1	Wang_jr	21.11.17	C4201HF-1XXXX	ENDE05	
			0.0±0.35	X'REF±6'	APPROVED	Han_Gao	21.11.17	TITLE:		
			0.00±0.25	X'±3'	CHECK	Zijun_Huang	21.11.17	Pitch 4.2mm Female 单排 Housing 无耳		
			UNIT:mm	X'X' ±2'	DRAWN					
			SIZE: A4	0.000±0.10						

REV: A0 SHEET: 1/2

The product using material and processing must conform to the "WI-PZ-001" HSF technical standard control requirements

RoHS



纸箱规格: 465*315*426MM

Poles	Bag Pcs	CARTON Bag	CARTON Pcs
02	1K	25	25K
03	1K	25	25K
04	1K	25	25K
05	1K	25	25K
06	1K	25	25K

注意事项:

1. 产品不可少数、多数;
2. 内外包装均需有数量标签;
3. 不同PIN位包装时须分开放置不可装入同一外箱中。
4. 同一订单尾数包装需用不影响品质之物品填充并注明尾数。

REV.	REVISION RECORD	DATE		GENERAL TOLERANCES		SCALE: 1:1	NAME	DATE	PART.NO: C4201HF-1XXXX	DWG.NO: ENDE05	 WanLian Technology Co., Ltd		
AO	NEW RELEASE	21.11.17		LINEAR	ANGLES	APPROVED	Wang_jr	21.11.17					
			UNIT:mm	0.00±0.25	X'±3'	CHECK	Han_Gao	21.11.17	TITLE: Pitch 4.2mm Female 单排 Housing 无耳			REV: A0	SHEET: 2/2
			SIZE: A4	0.000±0.10	X'X' ±2'	DRAWN	Zijun_Huang	21.11.17					