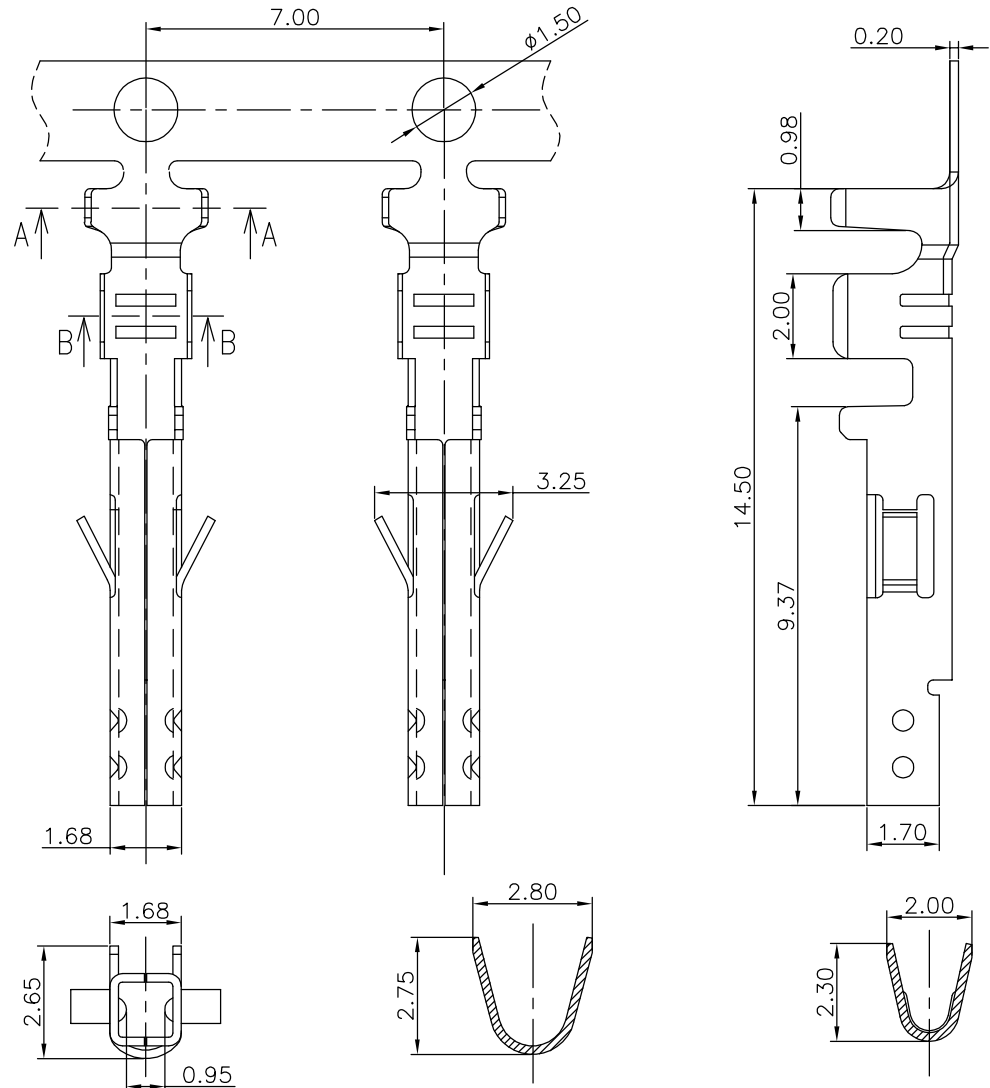


The product using material and processing must conform to the "WI-PZ-001" HSF technical standard control requirements



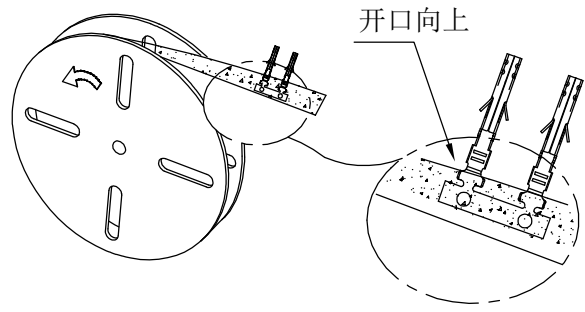
Section A-A

Section B-B

NOTE:
 1.MATERIAL SPECIFICATION:
 1-1.CONTACTS: SEE P/N
 2.PLATING SPECIFICATION:
 2-1.CONTACTS:
 TIN/GOLD PLATED OVER ALL.
 3.ELECTRICAL PERFORMANCE:
 3-1.CURRENT RATING: 9A
 3-2.CONTACT RESISTANCE: 10 mΩ MAX
 3-3.INSULATION RESISTANCE: 1000MΩ Min
 3-4.DIELECTRIC WITHSTANDING : 1500V
 4.ENVIRONMENTAL PERFORMANCE:
 4-1.OPERATING TEMPERATURE: -25°C~+85°C.
 5.PACKAGE SPEC: REEL
 6.P/N:



SERIES NO: C4201 T 1 F X-X
 CONNECTOR: T-TERMINAL
 TYPE CODE: 1
 MALE FEMALE: F-FEMALE
 PLATING:
 1-G/F
 A-ALL AU G/F
 C-BRIGHE TIN
 D-MATTE TIN
 METAL:
 P-PHOSPHOR BRONZE
 B-BRASS
 H-High conductivity copper



Ordering Information & Specifications

Wire Range	Insulation O.D.	Qty/reel
AWG#18-#22	3.00mm(max)	10,000pcs

REV.	REVISION RECORD	DATE	GENERAL TOLERANCES		SCALE:	NAME	DATE	PART.NO:	DWG.NO:	 WanLian Technology Co., Ltd
A0	NEW RELEASE	21.11.17	LINEAR	ANGLES	1:1	Wang_jr	22.09.23	C4201T1FX-X	ENDE05	
A1	依实物修改图纸	22.09.23	0.0±0.35	X'REF±6'	APPROVED	XueZe_Ma	22.09.23	TITLE:	REV: A0	
			0.00±0.25	X'±3'	CHECK	LanXuan_Hou	22.09.23	Pitch 4.2mm Female 低脚 端子	SHEET: 1/1	
			UNIT:mm	X'X' ±2'	DRAWN					
			SIZE: A4	0.000±0.10						