

The product using material and processing must conform to the "WI-PZ-001" HSF technical standard control requirements

RoHS

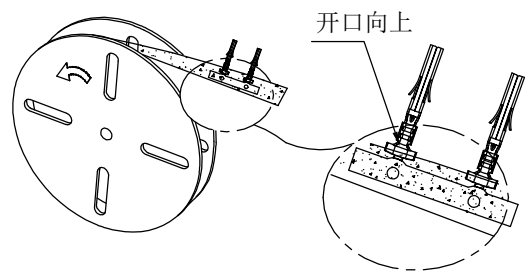
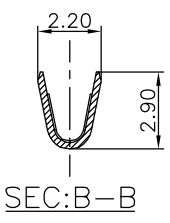
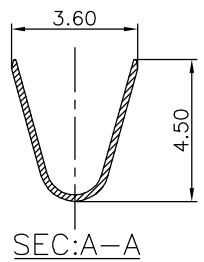
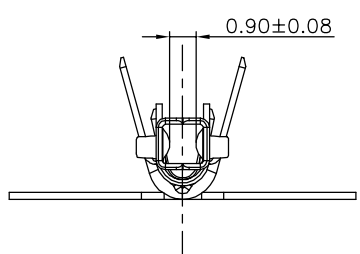
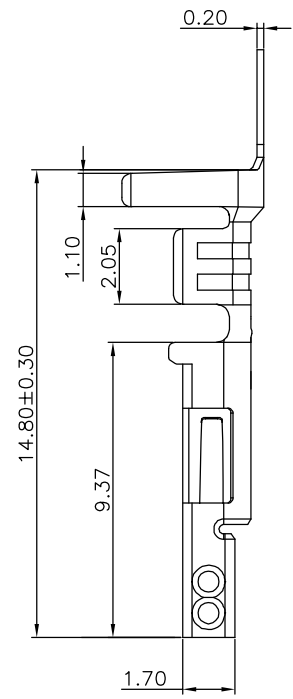
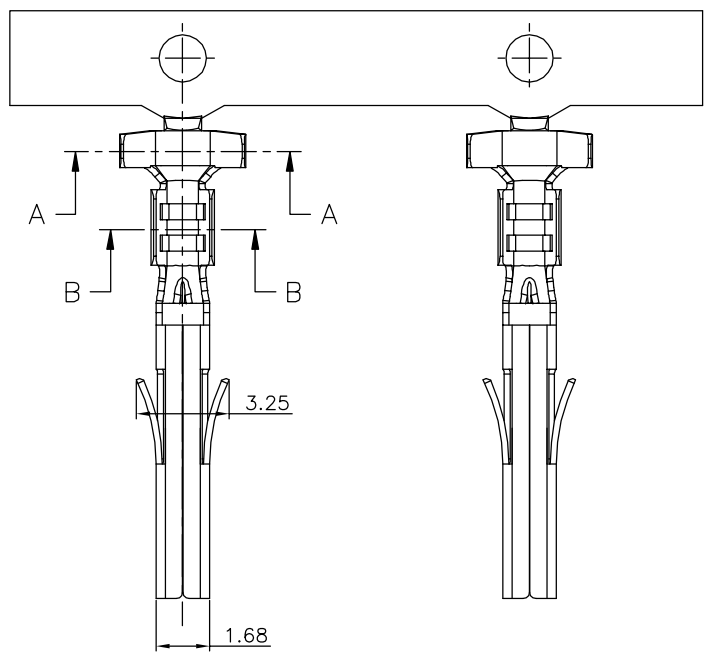
NOTE:

- 1.MATERIAL SPECIFICATION:
 - 1-1.CONTACTS: SEE P/N
- 2.PLATING SPECIFICATION:
 - 2-1.CONTACTS: TIN/GOLD PLATED OVER ALL.
- 3.ELECTRICAL PERFORMANCE:
 - 3-1.CURRENT RATING: 9A MAX
 - 3-2.CONTACT RESISTANCE: 10 mΩ MAX
 - 3-3.INSULATION RESISTANCE: 1000MΩ Min
 - 3-4.DIELECTRIC WITHSTANDING : 1500V
- 4.ENVIRONMENTAL PERFORMANCE:
 - 4-1.OPERATING TEMPERATURE: -25°C~+85°C.
- 5.PACKAGE SPEC: REEL
- 6.P/N:

SERIES NO: C4201 T 2 F X-X
 CONNECTOR: T-TERMINAL
 TYPE CODE: 2
 MALE FEMALE: F-FEMALE

PLATING:
 1-G/F
 A-ALL AU G/F
 C-BRIGHE TIN
 D-MATTE TIN

METAL:
 P-PHOSPHOR BRONZE
 B-BRASS
 H-High conductivity copper



Ordering Information & Specifications

Wire Range	Insulation O.D.	Qty/reel
AWG#16-#20	3.10mm(max)	5,000pcs

REV.	REVISION RECORD	DATE	GENERAL TOLERANCES		SCALE:	NAME	DATE	PART.NO:	DWG.NO:
AO	NEW RELEASE	21.11.17	LINEAR	ANGLES	1:1	Wang_jr	21.11.17	C4201T2FX-X	ENDE05
			0.0±0.35	X°REF±6'	APPROVED	Han_Gao	21.11.17	TITLE: Pitch 4.2mm Female 高脚 端子	REV: A0 SHEET: 1/1
			0.00±0.25	X'±3'	CHECK	Zijun_Huang	21.11.17		
			0.000±0.10	X'X' ±2'	DRAWN				



WanLian Technology Co., Ltd